



ADA Compliant

This Space for Architect/Engineer Approval

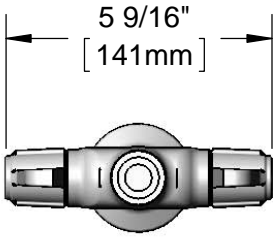
Job Name _____ Date _____

Model Specified _____ Quantity _____

Customer/Wholesaler _____

Contractor _____

Architect/Engineer _____

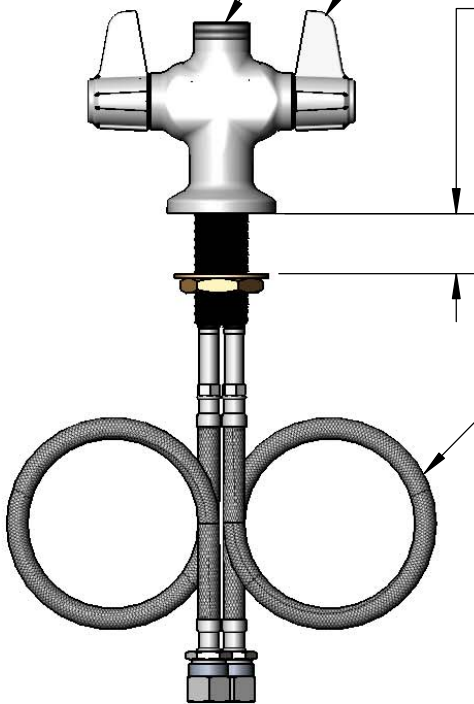


Swivel Outlet Accepts equip Swing Nozzles. Rigid Conversion Requires 014200-45 Lock Washer (Sold Separately)

Ceramic Cartridge & equip Lever Handles w/ Color Coded Screws

1 1/4" [32mm] Maximum Thickness

Mounting Surface



18" Long Flexible Stainless Steel Supply Hose

Ø 1 1/8" [29mm] Shank

Ø 2 1/4" [57mm]

Compression Fittings for 5/8" O.D. Copper Tubing (Remove Compression Nut for 1/2" NPSM Male)

Rough-In Requirement:
Ø 1 1/2" [38mm] Mounting Hole

Model Number 5F-2SLX00	Date 01/09/13	Scale 1:4	Drawn KJG	Checked DMH	Approved JHB
---------------------------	------------------	--------------	--------------	----------------	-----------------

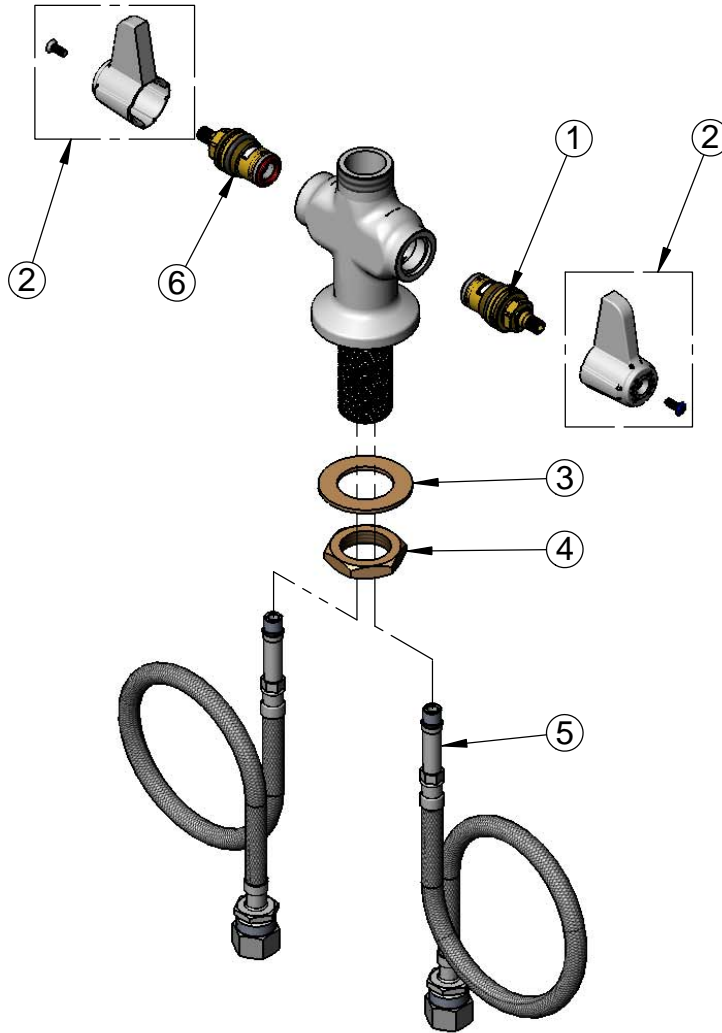
Product Specifications:

Single Hole Deck Mount Mixing Faucet, Less Nozzle, Ceramic Cartridges, equip Lever Handles & 18" Flexible Inlets



equip Foodservice Accessories
2 Saddleback Cove, P.O. Box 1088
Travelers Rest, South Carolina 29690
Phone: 800.891.4808 Fax: 800.868.0084

ITEM NO.	SALES NO.	DESCRIPTION
1	013788-45	equip Ceramic Cartridge, LTC
2	5-HDL-L	equip Lever Handle w/ Color Coded Screws
3	002290-45	Lock Washer
4	000965-45	Lock Nut
5	012534-45	Flexible Connector Hose (2)
6	013787-45	equip Ceramic Cartridge, RTC



Model Number 5F-2SLX00	Date 01/09/13	Scale NTS	Drawn KJG	Checked DMH	Approved JHB
---------------------------	------------------	--------------	--------------	----------------	-----------------



Product Specifications:

Single Hole Deck Mount Mixing Faucet, Less Nozzle, Ceramic Cartridges, equip Lever Handles & 18" Flexible Inlets

equip Foodservice Accessories
 2 Saddleback Cove, P.O. Box 1088
 Travelers Rest, South Carolina 29690
 Phone: 800.891.4808 Fax: 800.868.0084