

ADA Compliant

This Space for Architect/Engineer Approval

Job Name _____ Date _____

Model Specified _____ Quantity _____

Customer/Wholesaler _____

Contractor _____

Architect/Engineer _____

5SP-03
3" equip Rigid Gooseneck
w/ Laminar Flow Device.

Ceramic Cartridge &
equip Lever Handles
w/ Color Coded Screws

1 7/16"
[37mm]
Maximum
Thickness

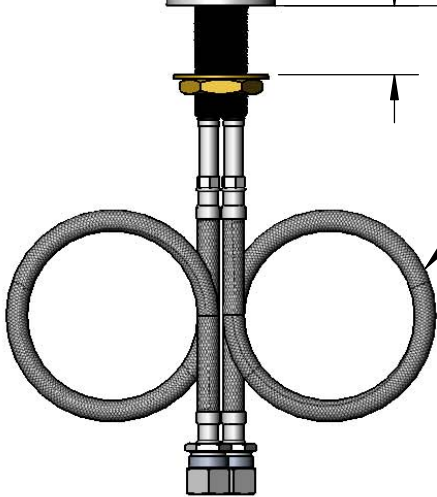
Mounting Surface

12 3/16"
[310mm]

8 7/16"
[214mm]

Ø 2 1/4"
[57mm]

2 13/16"
[72mm]



18" Long Flexible
Stainless Steel
Supply Hose

Compression Fittings for
5/8" O.D. Copper Tubing
(Remove Compression Nut
for 1/2" NPSM Male)

Ø 1 1/8"
[29mm]
Shank

Rough-In Requirement:
Ø 1 1/2" [38mm] Mounting Hole

Model Number 5F-2SLX03	Date 06/05/12	Scale 1:4	Drawn DHL	Checked DMH	Approved JHB
---------------------------	------------------	--------------	--------------	----------------	-----------------

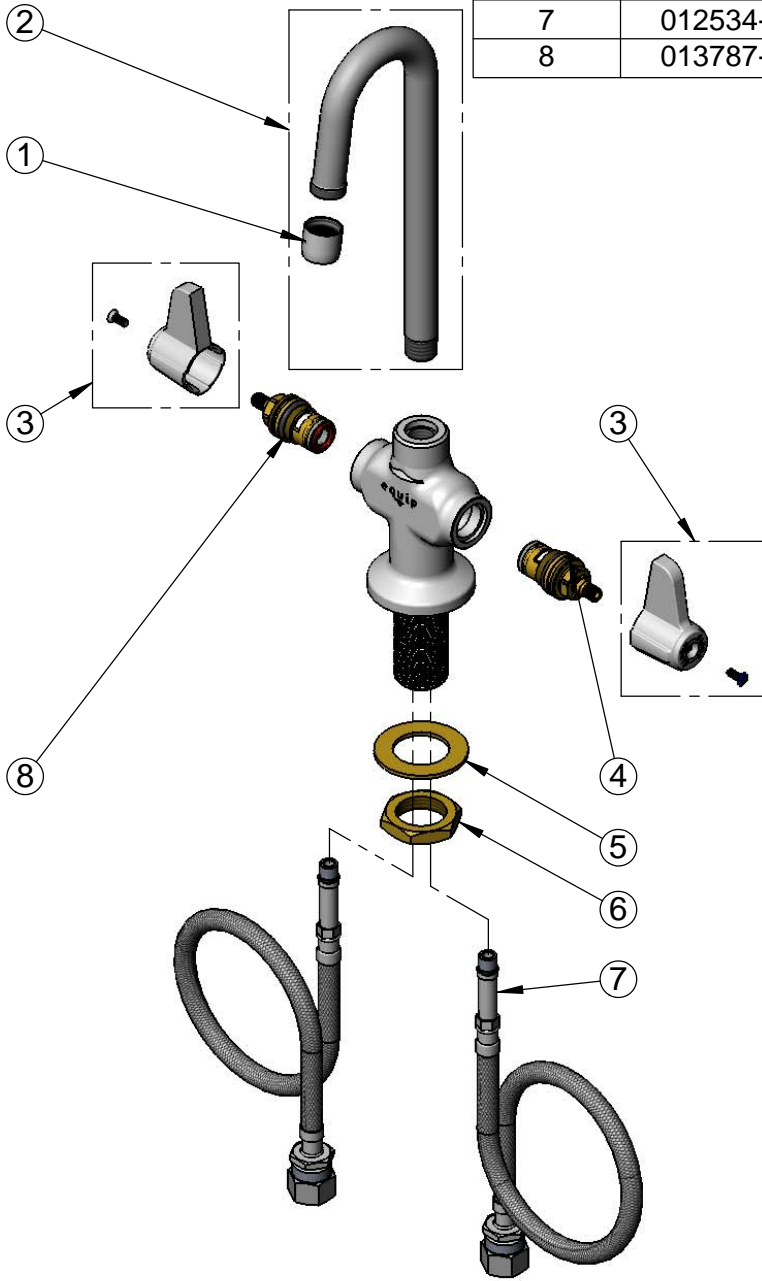


Product Specifications:

**Single Hole Deck Mount Mixing Faucet w/ Ceramic Cartridges,
equip Lever Handles, 3" equip Rigid Gooseneck
& 18" Flexible Inlets**

equip Foodservice Accessories
2 Saddleback Cove, P.O. Box 1088
Travelers Rest, South Carolina 29690
Phone: 800.891.4808 Fax: 800.868.0084

ITEM NO.	SALES NO.	DESCRIPTION
1	014250-45	Laminar Flow Device
2	5SP-03	3" equip Rigid Gooseneck
3	5-HDL-L	equip Lever Handle w/ Color Coded Screws
4	013788-45	equip Ceramic Cartridge, LTC
5	002290-45	Lock Washer
6	000965-45	Lock Nut
7	012534-45	Flexible Connector Hose (2)
8	013787-45	equip Ceramic Cartridge, RTC



Model Number 5F-2SLX03	Date 06/05/12	Scale NTS	Drawn DHL	Checked DMH	Approved JHB
---------------------------	------------------	--------------	--------------	----------------	-----------------



Product Specifications:
**Single Hole Deck Mount Mixing Faucet w/ Ceramic Cartridges,
 equip Lever Handles, 3" equip Rigid Gooseneck
 & 18" Flexible Inlets**

equip Foodservice Accessories
 2 Saddleback Cove, P.O. Box 1088
 Travelers Rest, South Carolina 29690
 Phone: 800.891.4808 Fax: 800.868.0084