

**ADA Compliant**

*This Space for Architect/Engineer Approval*

Job Name \_\_\_\_\_ Date \_\_\_\_\_

Model Specified \_\_\_\_\_ Quantity \_\_\_\_\_

Customer/Wholesaler \_\_\_\_\_

Contractor \_\_\_\_\_

Architect/Engineer \_\_\_\_\_

5SP-05  
5 1/2" equip Swivel Gooseneck  
w/ Laminar Flow Device.  
Rigid Conversion Requires  
014200-45 Lock Washer  
(Sold Separately)

Ceramic Cartridge  
equip Lever Handles  
w/ Color Coded Screws

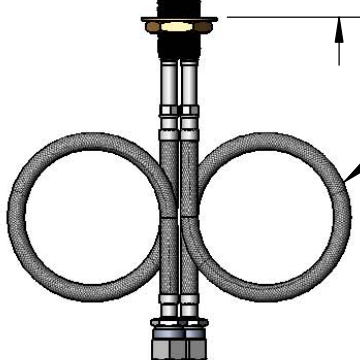
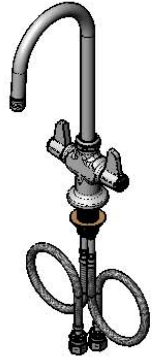
1 1/4"  
[32mm]  
Maximum  
Thickness

Mounting Surface

14 1/4"  
[362mm]

8 15/16"  
[227mm]

5 1/2"  
[140mm]



18" Long Flexible  
Stainless Steel  
Supply Hose

Compression Fittings for  
5/8" O.D. Copper Tubing  
(Remove Compression Nut  
for 1/2" NPSM Male)

Ø 1 1/8"  
[29mm]  
Shank

Ø 2 1/4"  
[57mm]

Rough-In Requirement:  
Ø 1 1/2" [38mm] Mounting Hole

Model Number 5F-2SLX05	Date 01/09/13	Scale 1:5	Drawn KJG	Checked DMH	Approved JHB
---------------------------	------------------	--------------	--------------	----------------	-----------------

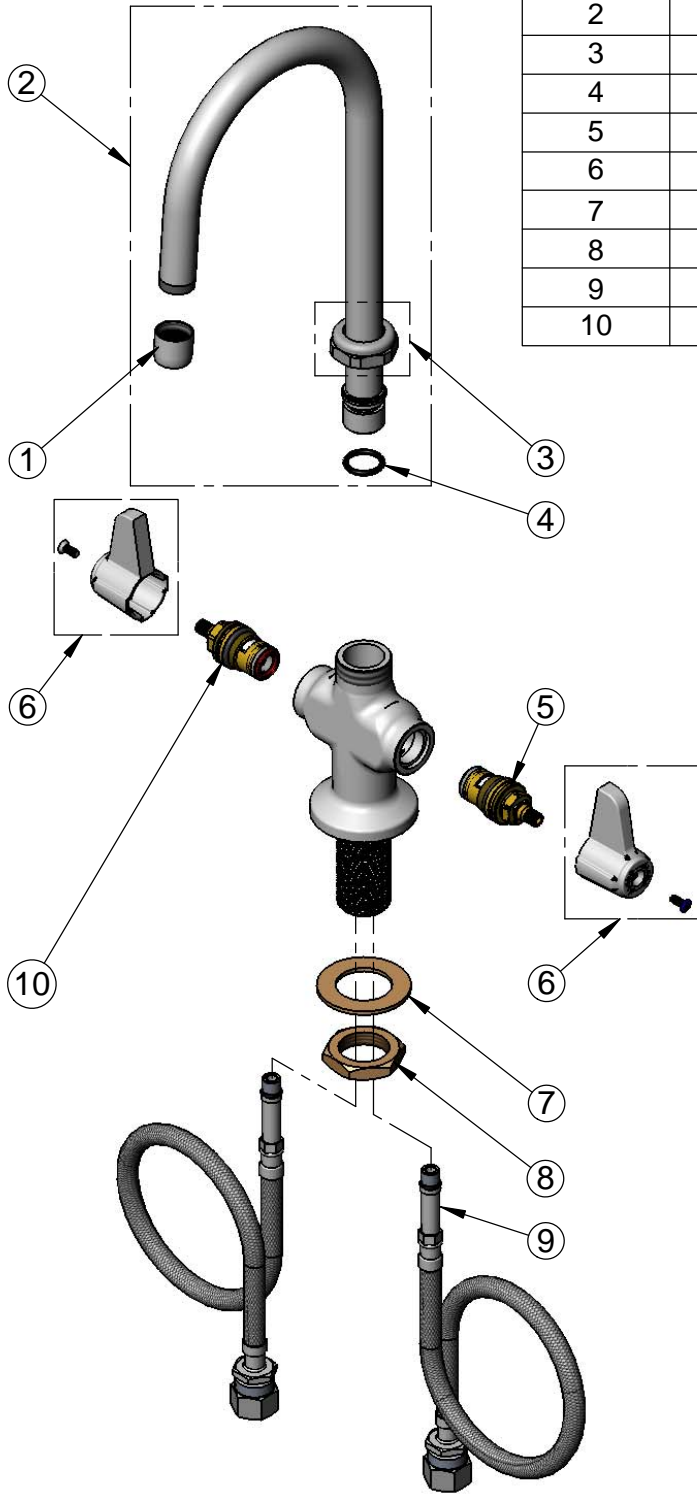
Product Specifications:

**Single Hole Deck Mount Mixing Faucet w/ Ceramic Cartridges,  
equip Lever Handles, 5 1/2" equip Swivel Gooseneck  
& 18" Flexible Inlets**



equip Foodservice Accessories  
2 Saddleback Cove, P.O. Box 1088  
Travelers Rest, South Carolina 29690  
Phone: 800.891.4808 Fax: 800.868.0084

ITEM NO.	SALES NO.	DESCRIPTION
1	014250-45	Laminar Flow Device
2	5SP-05	5 1/2" equip Swivel Gooseneck
3	013839-25	equip Swivel Nut
4	013848-45	equip Swivel Piece O-ring
5	013788-45	equip Ceramic Cartridge, LTC
6	5-HDL-L	equip Lever Handle w/ Color Coded Screws
7	002290-45	Lock Washer
8	000965-45	Lock Nut
9	012534-45	Flexible Connector Hose (2)
10	013787-45	equip Ceramic Cartridge, RTC



Model Number 5F-2SLX05	Date 01/09/13	Scale NTS	Drawn KJG	Checked DMH	Approved JHB
---------------------------	------------------	--------------	--------------	----------------	-----------------



Product Specifications:  
**Single Hole Deck Mount Mixing Faucet w/ Ceramic Cartridges,  
equip Lever Handles, 5 1/2" equip Swivel Gooseneck  
& 18" Flexible Inlets**

equip Foodservice Accessories  
2 Saddleback Cove, P.O. Box 1088  
Travelers Rest, South Carolina 29690  
Phone: 800.891.4808 Fax: 800.868.0084