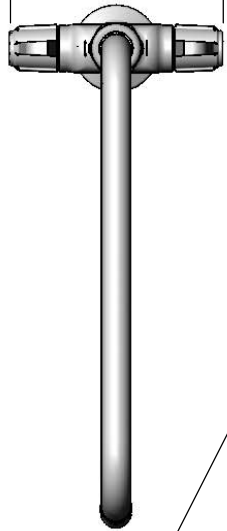


5 9/16"
[141mm]



ADA Compliant

This Space for Architect/Engineer Approval

Job Name _____ Date _____

Model Specified _____ Quantity _____

Customer/Wholesaler _____

Contractor _____

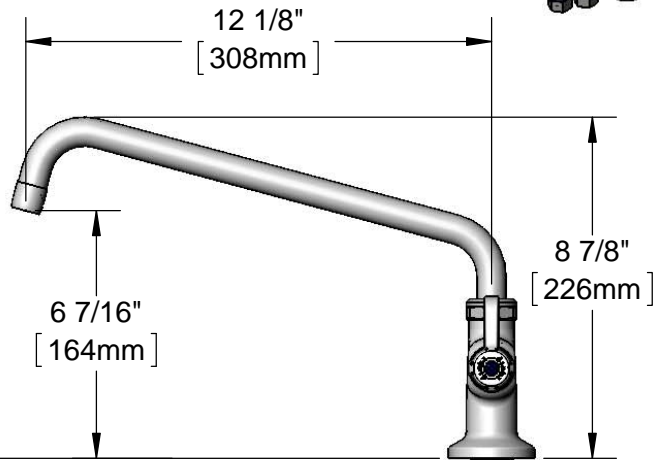
Architect/Engineer _____

5SP-12
12" equip Swing Nozzle
w/ Laminar Flow Device.
Rigid Conversion Requires
014200-45 Lock Washer
(Sold Separately)

Ceramic Cartridge
equip Lever Handles
w/ Color Coded Screws

1 1/4"
[32mm]
Maximum
Thickness

Mounting Surface

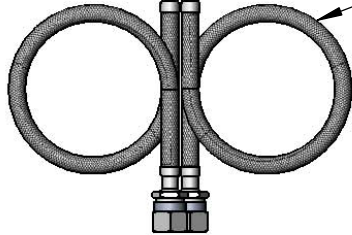


Ø 2 1/4"
[57mm]

Ø 1 1/8"
[29mm]
Shank

18" Long Flexible
Stainless Steel
Supply Hose

Compression Fittings for
5/8" O.D. Copper Tubing
(Remove Compression Nut
for 1/2" NPSM Male)



Rough-In Requirement:
Ø 1 1/2" [38mm] Mounting Hole

Model Number 5F-2SLX12	Date 01/09/13	Scale 1:5	Drawn KJG	Checked DMH	Approved JHB
---------------------------	------------------	--------------	--------------	----------------	-----------------

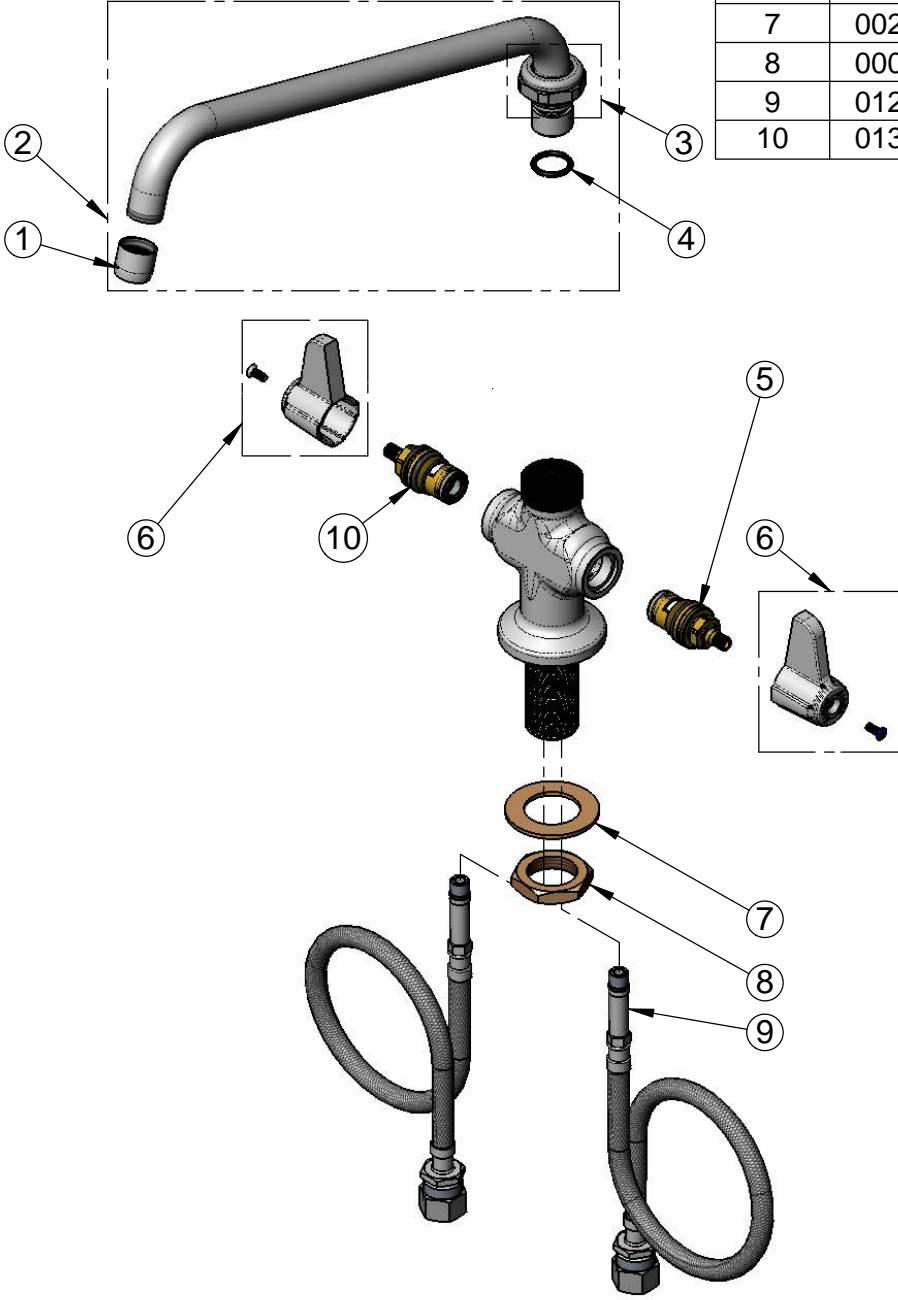


Product Specifications:

**Single Hole Deck Mount Mixing Faucet w/ Ceramic Cartridge,
equip Lever Handles, 12" equip Swing Nozzle
& 18" Flexible Inlets**

equip Foodservice Accessories
2 Saddleback Cove, P.O. Box 1088
Travelers Rest, South Carolina 29690
Phone: 800.891.4808 Fax: 800.868.0084

ITEM NO.	SALES NO.	DESCRIPTION
1	014250-45	Laminar Flow Device
2	5SP-12	12" equip Swing Nozzle
3	013839-25	equip Swivel Nut
4	013848-45	equip Swivel Piece O-ring
5	013788-45	equip Ceramic Cartridge, LTC
6	5-HDL-L	equip Lever Handle w/ Color Coded Screws
7	002290-45	Lock Washer
8	000965-45	Lock Nut
9	012534-45	Flexible Connector Hose (2)
10	013787-45	equip Ceramic Cartridge, RTC



Model Number 5F-2SLX12	Date 01/09/13	Scale NTS	Drawn KJG	Checked DMH	Approved JHB
---------------------------	------------------	--------------	--------------	----------------	-----------------

	Product Specifications: Single Hole Deck Mount Mixing Faucet w/ Ceramic Cartridge, equip Lever Handles, 12" equip Swing Nozzle & 18" Flexible Inlets
	equip Foodservice Accessories 2 Saddleback Cove, P.O. Box 1088 Travelers Rest, South Carolina 29690 Phone: 800.891.4808 Fax: 800.868.0084