



**ADA Compliant**

*This Space for Architect/Engineer Approval*

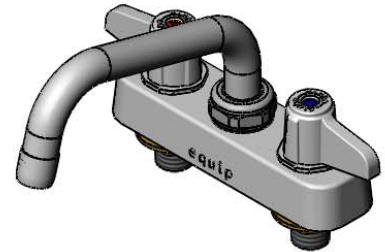
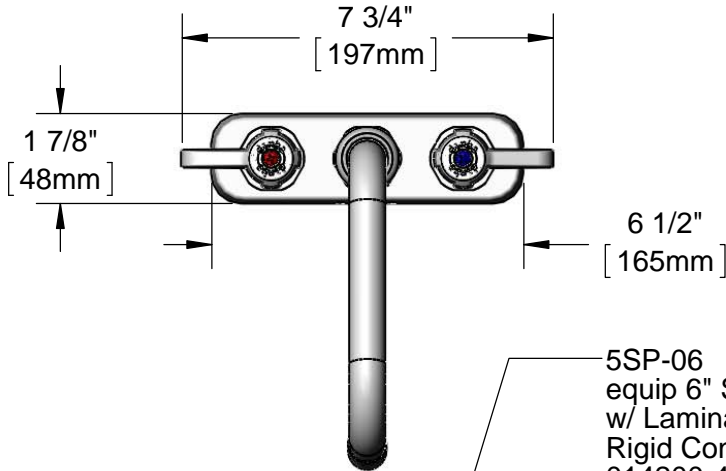
Job Name \_\_\_\_\_ Date \_\_\_\_\_

Model Specified \_\_\_\_\_ Quantity \_\_\_\_\_

Customer/Wholesaler \_\_\_\_\_

Contractor \_\_\_\_\_

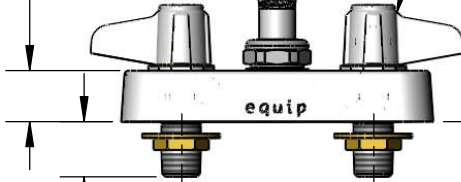
Architect/Engineer \_\_\_\_\_



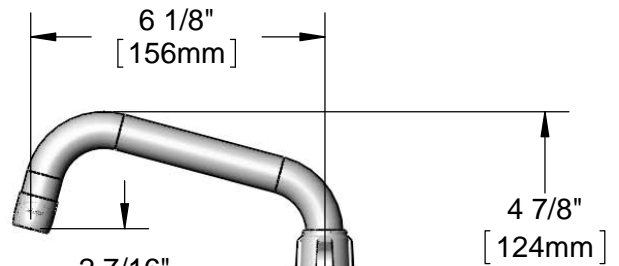
5SP-06  
equip 6" Swing Nozzle  
w/ Laminar Flow Device.  
Rigid Conversion Requires  
014200-45 Lock Washer  
(Sold Separately)

Ceramic Cartridges &  
equip Lever Handles w/  
Color Coded Screws

1 1/16"  
[27mm]



Mounting Surface



1 1/8"  
[29mm]

4"  
[102mm]

1/4"  
[6mm]  
Maximum  
Thickness

1/2" NPT  
Male Inlets

**Rough-in Requirement:**  
(2) Ø 1" [25mm] Mounting Holes

Model Number <b>5F-4CLX06</b>	Date <b>06/05/12</b>	Scale <b>1:4</b>	Drawn <b>DHL</b>	Checked <b>DMH</b>	Approved <b>JHB</b>
----------------------------------	-------------------------	---------------------	---------------------	-----------------------	------------------------

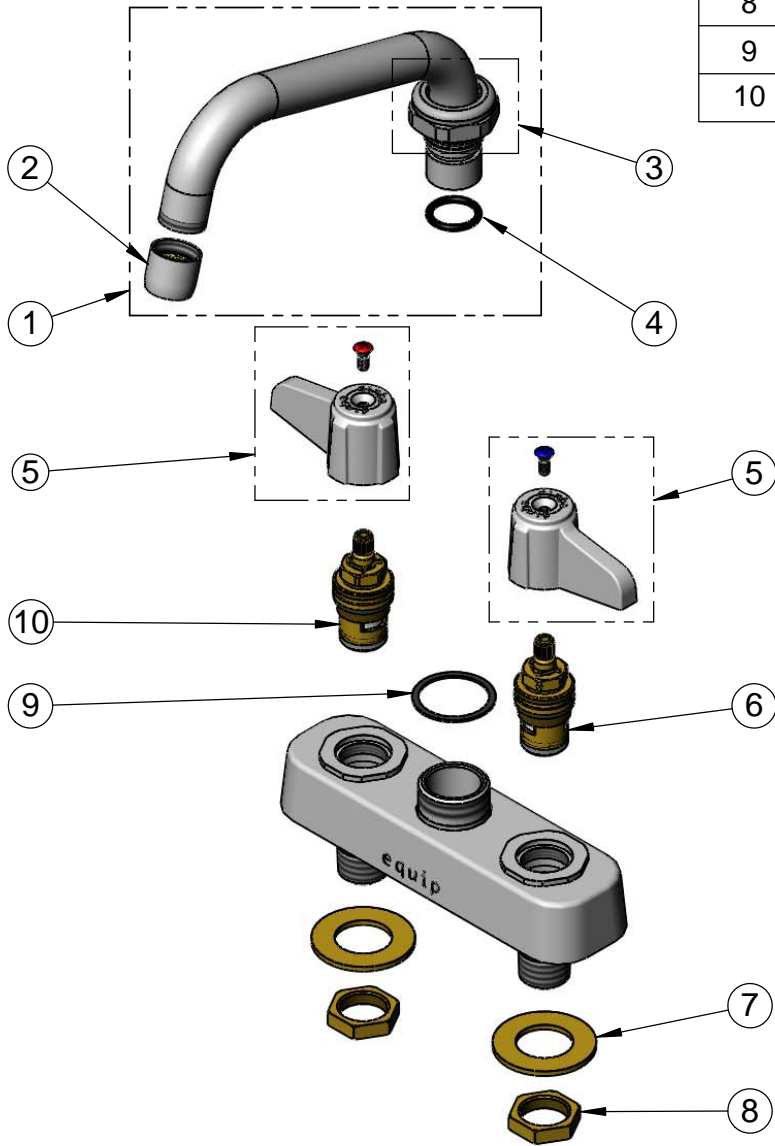


Product Specifications:

**4" Deck Mount Workboard Mixing Faucet w/ Ceramic Cartridges,  
equip Lever Handles, equip 6" Swing Nozzle  
& 1/2" NPT Male Inlets**

equip Foodservice Accessories  
2 Saddleback Cove, P.O. Box 1088  
Travelers Rest, South Carolina 29690  
Phone: 800.891.4808 Fax: 800.868.0084

ITEM NO.	SALES NO.	DESCRIPTION
1	5SP-06	equip 6" Swing Nozzle
2	014250-45	Laminar Flow Device
3	013839-25	equip Swivel Nut
4	013848-45	equip Swivel Piece O-ring
5	5-HDL-L	equip Lever Handle w/ Color Coded Screws
6	013788-45	equip Ceramic Cartridge, LTC
7	000999-45	Brass Lock Washer
8	002954-45	Shank Lock Nut
9	017587-45	Swivel Nut Seal
10	013787-45	equip Ceramic Cartridge, RTC



Model Number 5F-4CLX06	Date 06/05/12	Scale NTS	Drawn DHL	Checked DMH	Approved JHB
---------------------------	------------------	--------------	--------------	----------------	-----------------



Product Specifications:  
**4" Deck Mount Workboard Mixing Faucet w/ Ceramic Cartridges,  
equip Lever Handles, equip 6" Swing Nozzle  
& 1/2" NPT Male Inlets**

equip Foodservice Accessories  
2 Saddleback Cove, P.O. Box 1088  
Travelers Rest, South Carolina 29690  
Phone: 800.891.4808 Fax: 800.868.0084