



ADA Compliant

This Space for Architect/Engineer Approval

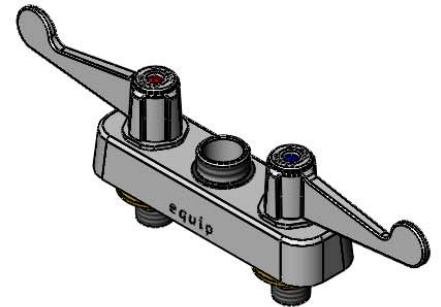
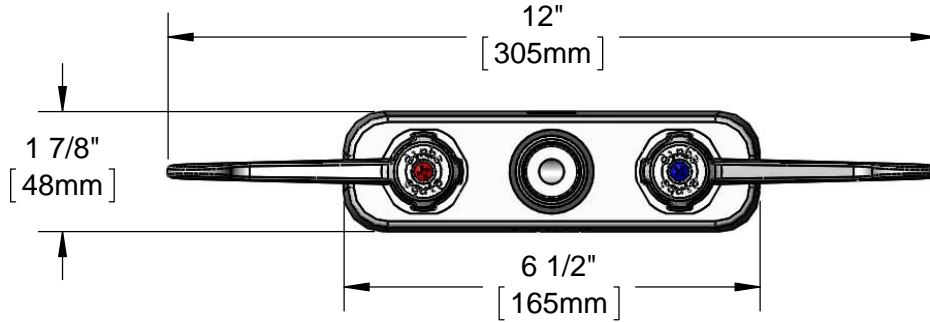
Job Name _____ Date _____

Model Specified _____ Quantity _____

Customer/Wholesaler _____

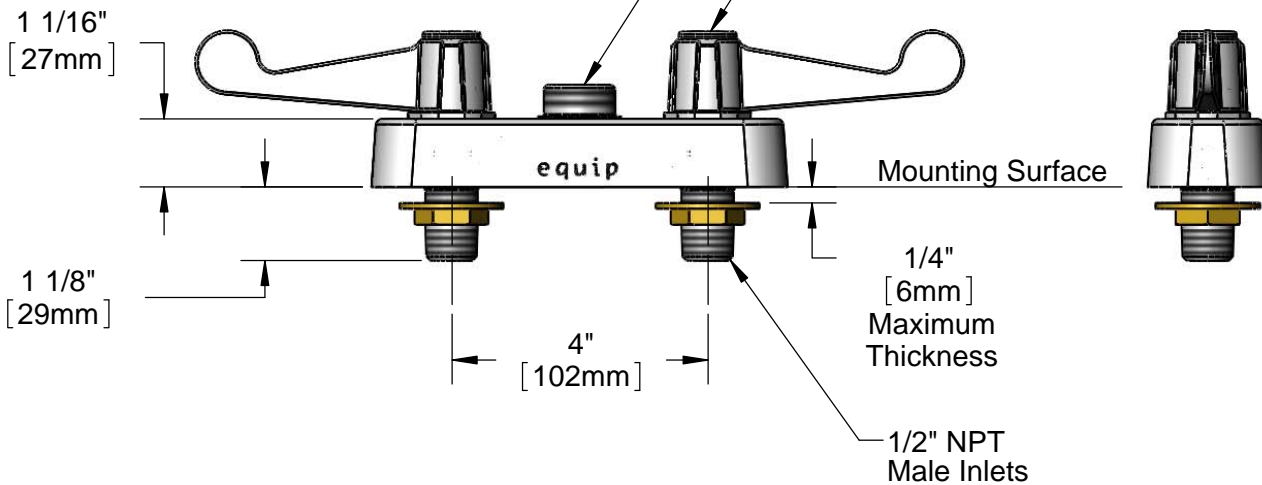
Contractor _____

Architect/Engineer _____



Swivel Outlet Accepts equip Swivel Nozzles. Rigid Conversion Requires 014200-45 Lock Washer (Sold Separately)

Ceramic Cartridges & equip 4" Wrist Action Handles w/ Color Coded Screws



Rough-In Requirement:
(2) Ø 1" [25mm] Mounting Holes

Model Number 5F-4CW00	Date 06/05/12	Scale 1:3	Drawn DHL	Checked DMH	Approved JHB
--------------------------	------------------	--------------	--------------	----------------	-----------------

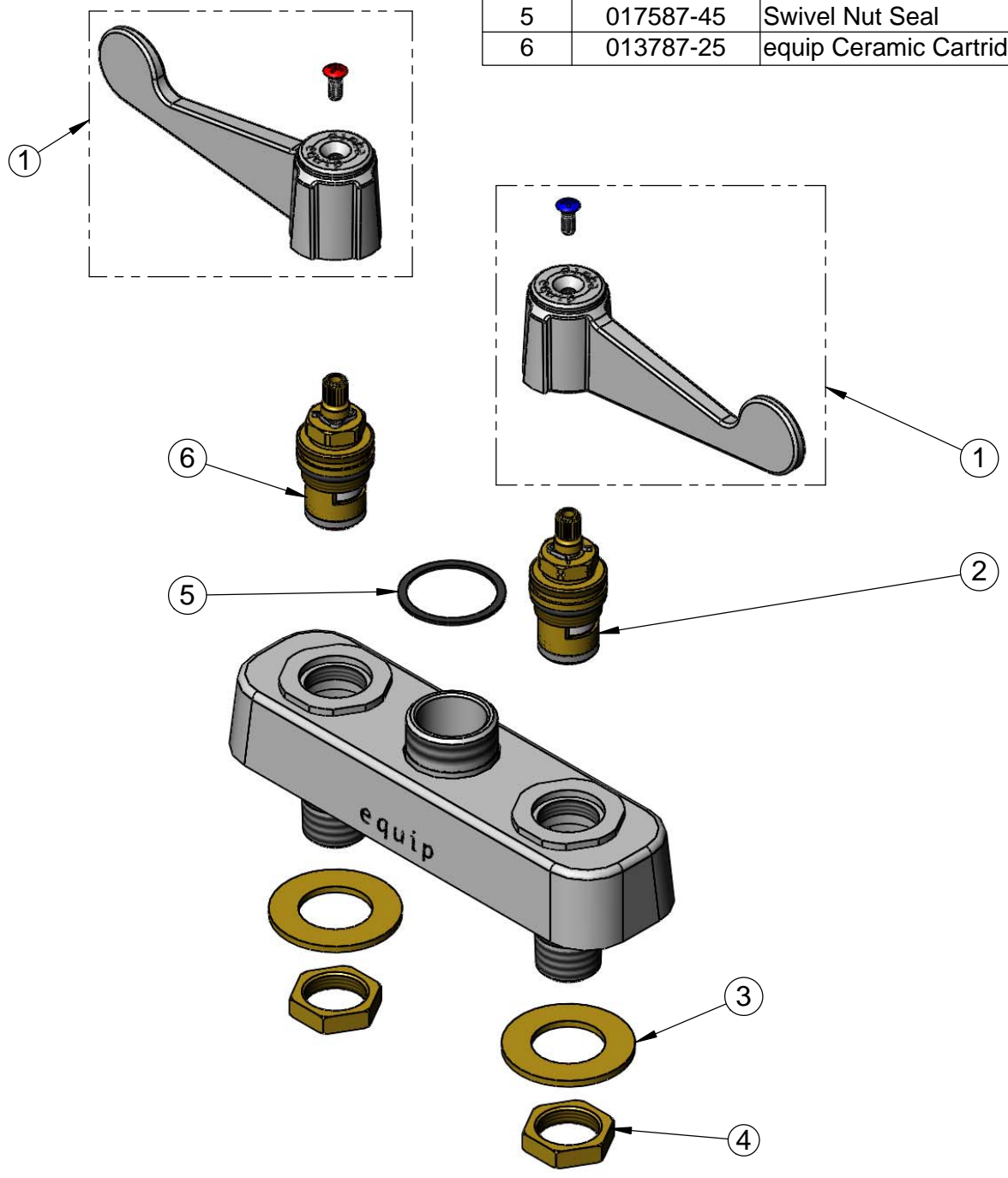
Product Specifications:

4" Deck Mount Workboard Mixing Faucet, Less Nozzle, Ceramic Cartridges, equip 4" Wrist Action Handles & 1/2" NPT Male Inlets




equip Foodservice Accessories
2 Saddleback Cove, P.O. Box 1088
Travelers Rest, South Carolina 29690
Phone: 800.891.4808 Fax: 800.868.0084

ITEM NO.	SALES NO.	DESCRIPTION
1	5-HDL-W	equip Wrist Action Handle w/ Color Coded Screws
2	013788-25	equip Ceramic Cartridge, LTC
3	000999-45	Brass Lock Washer
4	002954-45	Shank Lock Nut
5	017587-45	Swivel Nut Seal
6	013787-25	equip Ceramic Cartridge, RTC



Model Number 5F-4CW00	Date 06/05/12	Scale 1:2	Drawn DHL	Checked DMH	Approved JHB
--------------------------	------------------	--------------	--------------	----------------	-----------------

	Product Specifications: 4" Deck Mount Workboard Mixing Faucet, Less Nozzle, Ceramic Cartridges, equip 4" Wrist Action Handles & 1/2" NPT Male Inlets
	equip Foodservice Accessories 2 Saddleback Cove, P.O. Box 1088 Travelers Rest, South Carolina 29690 Phone: 800.891.4808 Fax: 800.868.0084