



**ADA Compliant**

*This Space for Architect/Engineer Approval*

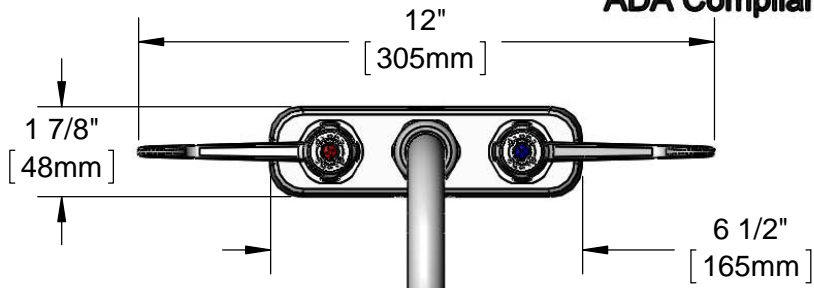
Job Name \_\_\_\_\_ Date \_\_\_\_\_

Model Specified \_\_\_\_\_ Quantity \_\_\_\_\_

Customer/Wholesaler \_\_\_\_\_

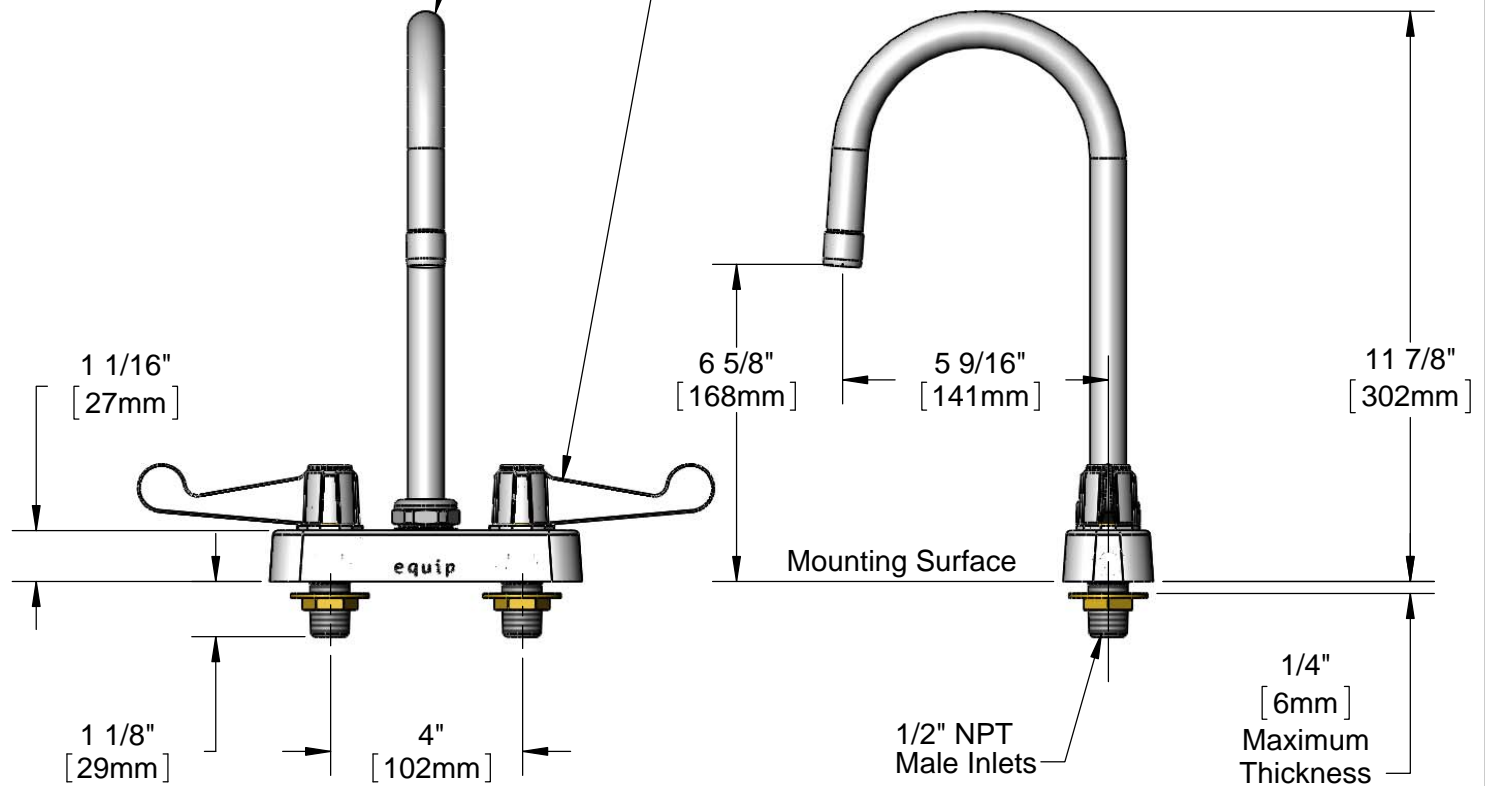
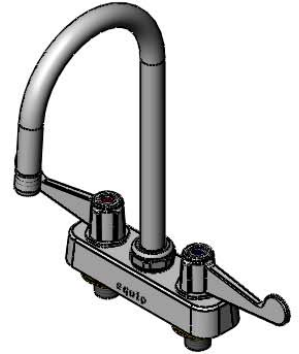
Contractor \_\_\_\_\_

Architect/Engineer \_\_\_\_\_



5SP-05A  
 equip 5 1/2" Swivel Gooseneck  
 w/ 2.2 GPM Aerator.  
 Rigid Conversion Requires  
 014200-45 Lock Washer  
 (Sold Separately)

Ceramic Cartridges &  
 equip 4" Wrist Action Handles w/  
 Color Coded Screws



**Rough-In Requirement:**  
 (2) Ø 1" [25mm] Mounting Holes

Model Number 5F-4CW05A	Date 06/05/12	Scale 1:4	Drawn DHL	Checked DMH	Approved JHB
---------------------------	------------------	--------------	--------------	----------------	-----------------

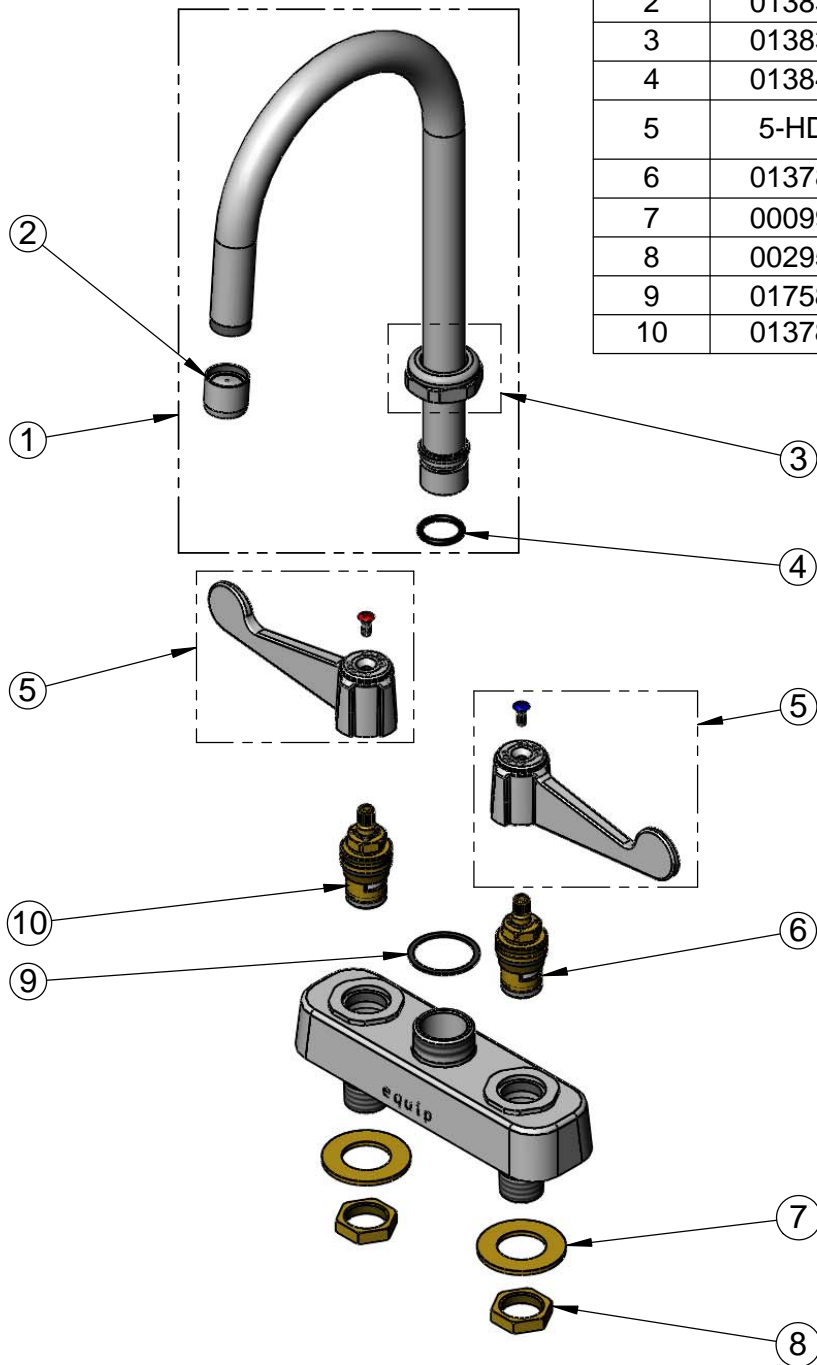


Product Specifications:

**4" Deck Mount Workboard Mixing Faucet w/ Ceramic Cartridges,  
 equip 4" Wrist Action Handles, equip 5 1/2" Swivel Gooseneck  
 w/ 2.2 GPM Aerator & 1/2" NPT Male Inlets**

equip Foodservice Accessories  
 2 Saddleback Cove, P.O. Box 1088  
 Travelers Rest, South Carolina 29690  
 Phone: 800.891.4808 Fax: 800.868.0084

ITEM NO.	SALES NO.	DESCRIPTION
1	5SP-05A	equip 5 1/2" Swivel Gooseneck
2	013838-45	Aerator, 3/4-27 Female, 2.2 GPM
3	013839-25	equip Swivel Nut
4	013848-45	equip Swivel Piece O-ring
5	5-HDL-W	equip Wrist Action Handle w/ Color Coded Screws
6	013788-25	equip Ceramic Cartridge, LTC
7	000999-45	Brass Lock Washer
8	002954-45	Shank Lock Nut
9	017587-45	Swivel Nut Seal
10	013787-25	equip Ceramic Cartridge, RTC



Model Number  
5F-4CW05A

Date  
06/05/12

Scale  
NTS

Drawn  
DHL

Checked  
DMH

Approved  
JHB



Product Specifications:

4" Deck Mount Workboard Mixing Faucet w/ Ceramic Cartridges,  
equip 4" Wrist Action Handles, equip 5 1/2" Swivel Gooseneck  
w/ 2.2 GPM Aerator & 1/2" NPT Male Inlets

equip Foodservice Accessories  
2 Saddleback Cove, P.O. Box 1088  
Travelers Rest, South Carolina 29690  
Phone: 800.891.4808 Fax: 800.868.0084