



ADA Compliant

This Space for Architect/Engineer Approval

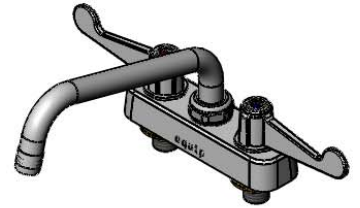
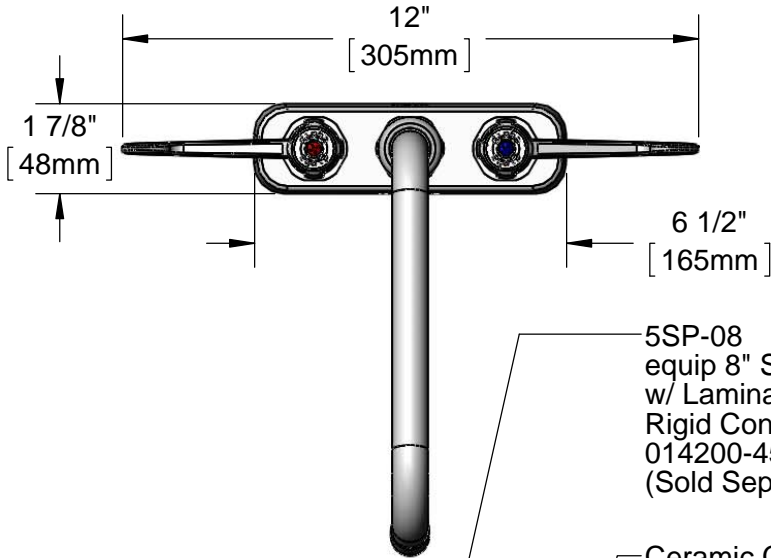
Job Name _____ Date _____

Model Specified _____ Quantity _____

Customer/Wholesaler _____

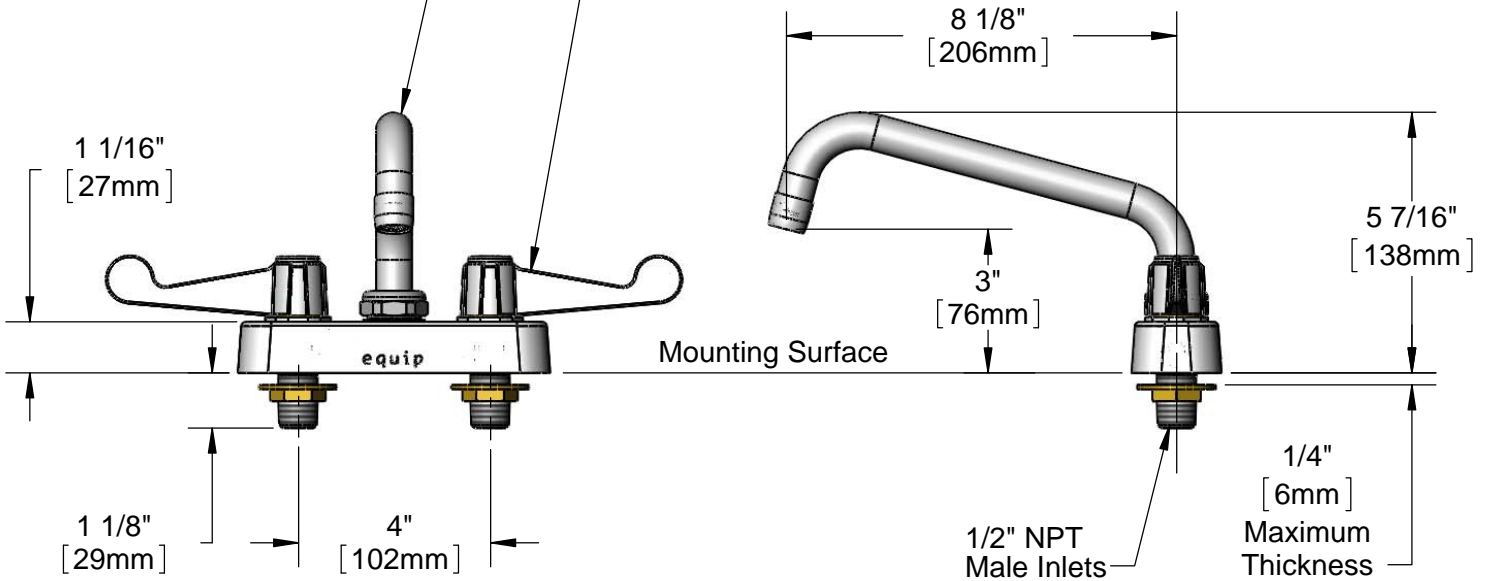
Contractor _____

Architect/Engineer _____



5SP-08
equip 8" Swing Nozzle
w/ Laminar Flow Device.
Rigid Conversion Requires
014200-45 Lock Washer
(Sold Separately)

Ceramic Cartridges &
equip 4" Wrist Action Handles w/
Color Coded Screws



Rough-In Requirement:
(2) Ø 1" [25mm] Mounting Holes

Model Number 5F-4CWX08	Date 06/05/12	Scale 1:4	Drawn DHL	Checked DMH	Approved JHB
----------------------------------	-------------------------	---------------------	---------------------	-----------------------	------------------------

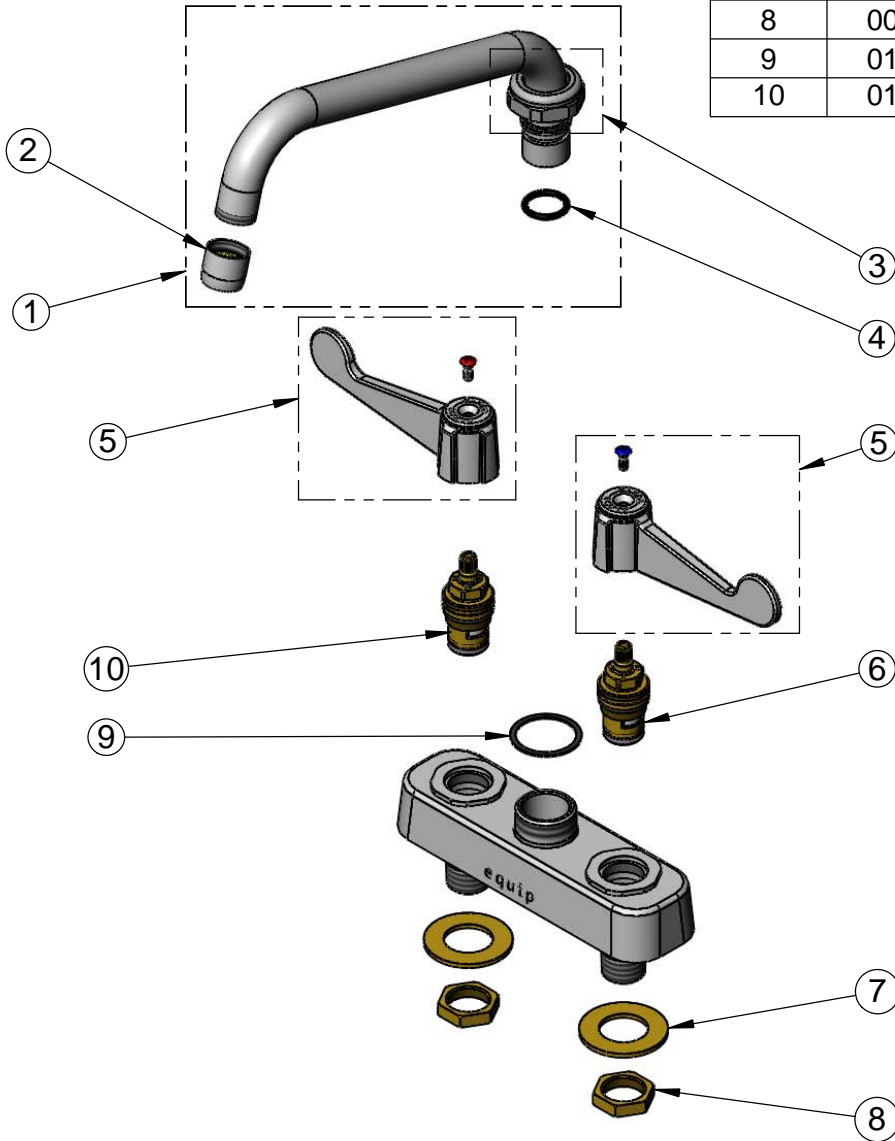


Product Specifications:

**4" Deck Mount Workboard Mixing Faucet w/ Ceramic Cartridges,
equip 4" Wrist Action Handles, equip 8" Swing Nozzle
& 1/2" NPT Male Inlets**

equip Foodservice Accessories
2 Saddleback Cove, P.O. Box 1088
Travelers Rest, South Carolina 29690
Phone: 800.891.4808 Fax: 800.868.0084

ITEM NO.	SALES NO.	DESCRIPTION
1	5SP-08	equip 8" Swing Nozzle
2	014250-45	Laminar Flow Device
3	013839-25	equip Swivel Nut
4	013848-45	equip Swivel Piece O-ring
5	5-HDL-W	equip 4" Wrist Action Handle w/ Color Coded Screws
6	013788-25	equip Ceramic Cartridge, LTC
7	000999-45	Brass Lock Washer
8	002954-45	Shank Lock Nut
9	017587-45	Swivel Nut Seal
10	013787-25	equip Ceramic Cartridge, RTC



Model Number
5F-4CW08

Date
06/05/12

Scale
NTS

Drawn
DHL

Checked
DMH

Approved
JHB



Product Specifications:

**4" Deck Mount Workboard Mixing Faucet w/ Ceramic Cartridges,
equip 4" Wrist Action Handles, equip 8" Swing Nozzle
& 1/2" NPT Male Inlets**

equip Foodservice Accessories
2 Saddleback Cove, P.O. Box 1088
Travelers Rest, South Carolina 29690
Phone: 800.891.4808 Fax: 800.868.0084