



ADA Compliant

This Space for Architect/Engineer Approval

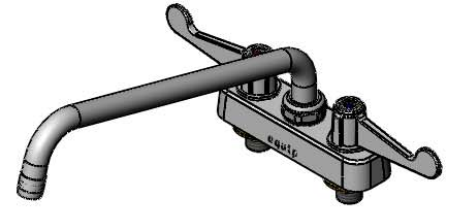
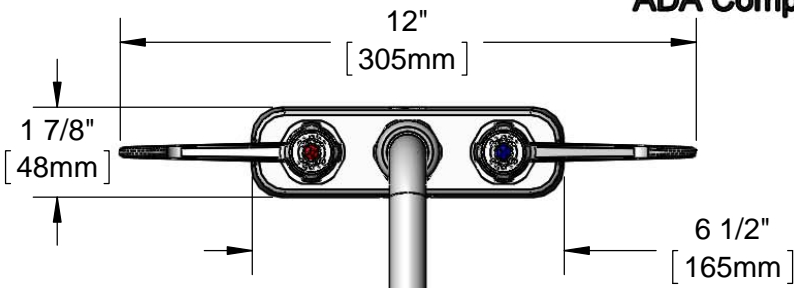
Job Name _____ Date _____

Model Specified _____ Quantity _____

Customer/Wholesaler _____

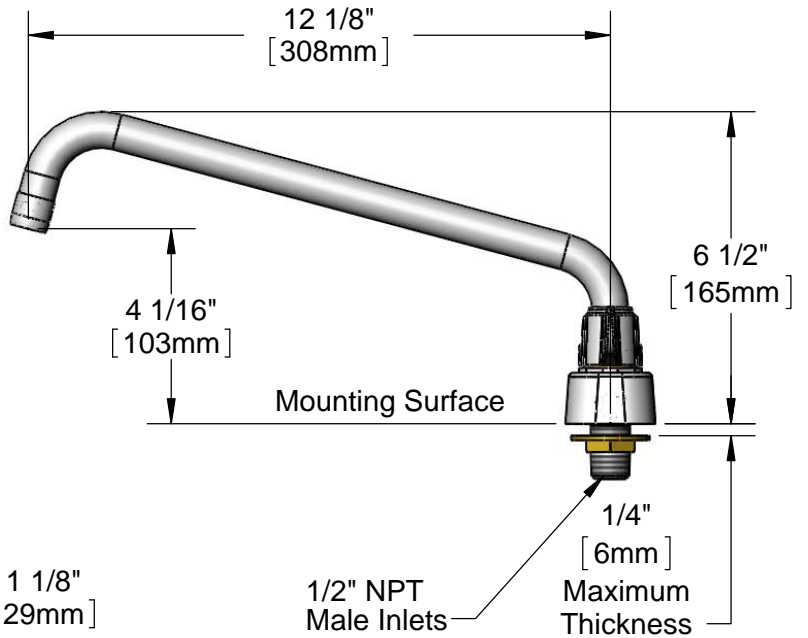
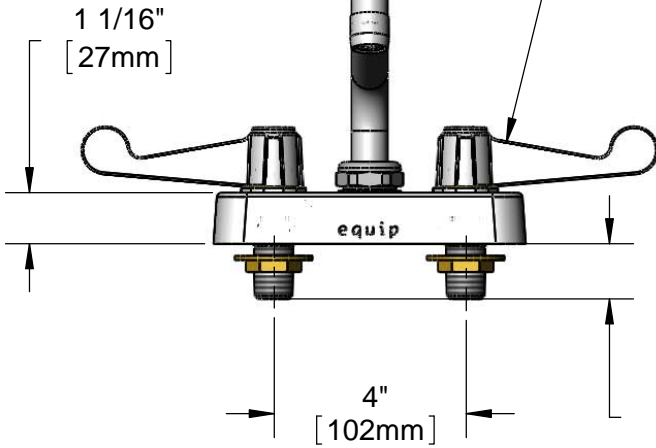
Contractor _____

Architect/Engineer _____



5SP-12
equip 12" Swing Nozzle
w/ Laminar Flow Device.
Rigid Conversion Requires
014200-45 Lock Washer
(Sold Separately)

Ceramic Cartridges &
equip 4" Wrist Action Handles w/
Color Coded Screws



Rough-In Requirement:
(2) Ø 1" [25mm] Mounting Holes

Model Number 5F-4CW12	Date	Scale 1:4	Drawn DHL	Checked	Approved
---------------------------------	------	---------------------	---------------------	---------	----------

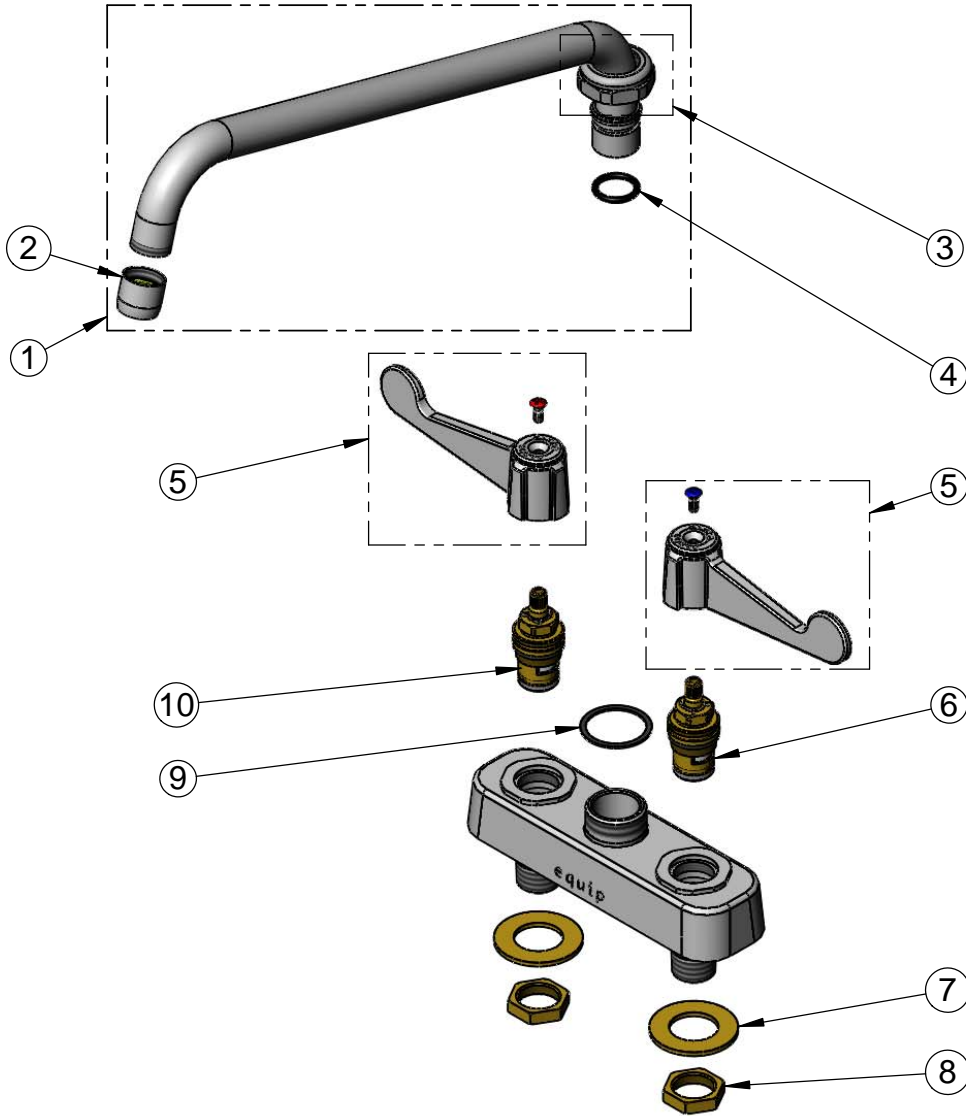


Product Specifications:

4" Deck Mount Workboard Mixing Faucet w/ Ceramic Cartridges, equip 4" Wrist Action Handles, equip 12" Swing Nozzle & 1/2" NPT Male Inlets

equip Foodservice Accessories
2 Saddleback Cove, P.O. Box 1088
Travelers Rest, South Carolina 29690
Phone: 800.891.4808 Fax: 800.868.0084

ITEM NO.	SALES NO.	DESCRIPTION
1	5SP-12	equip 12" Swing Nozzle
2	014250-45	Laminar Flow Device
3	013839-25	equip Swivel Nut
4	013848-45	equip Swivel Piece O-ring
5	5-HDL-W	equip 4" Wrist Action Handle w/ Color Coded Screws
6	013788-25	equip Ceramic Cartridge, LTC
7	000999-45	Brass Lock Washer
8	002954-45	Shank Lock Nut
9	017587-45	Swivel Nut Seal
10	013787-25	equip Ceramic Cartridge, RTC



Model Number 5F-4CW12	Date 06/05/12	Scale NTS	Drawn DHL	Checked DMH	Approved JHB
--------------------------	------------------	--------------	--------------	----------------	-----------------



Product Specifications:

4" Deck Mount Workboard Mixing Faucet w/ Ceramic Cartridges, equip 4" Wrist Action Handles, equip 12" Swing Nozzle & 1/2" NPT Male Inlets

equip Foodservice Accessories
 2 Saddleback Cove, P.O. Box 1088
 Travelers Rest, South Carolina 29690
 Phone: 800.891.4808 Fax: 800.868.0084