

ADA Compliant

This Space for Architect/Engineer Approval

Job Name _____ Date _____

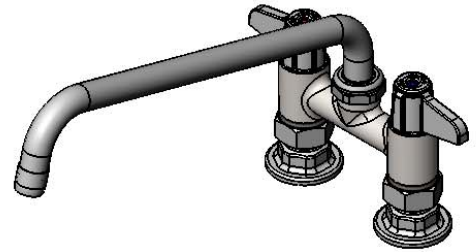
Model Specified _____ Quantity _____

Customer/Wholesaler _____

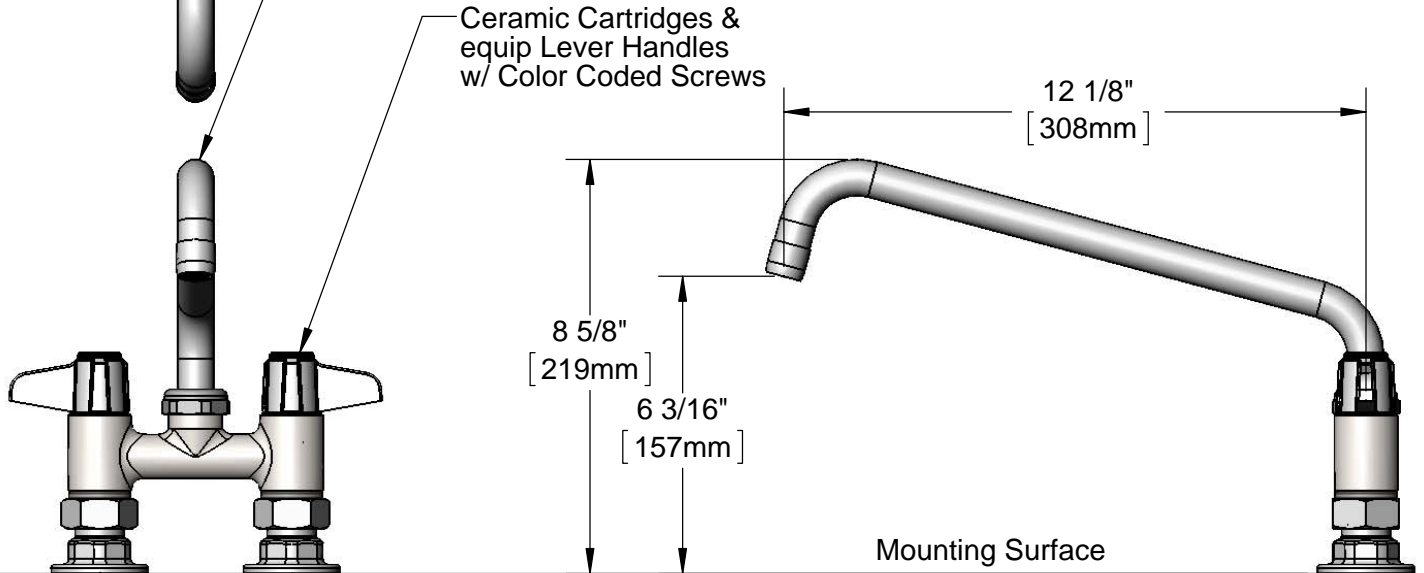
Contractor _____

Architect/Engineer _____

5SP-12
12" equip Swing Nozzle
w/ Laminar Flow Device.
Rigid Conversion Requires
014200-45 Lock Washer
(Sold Separately)

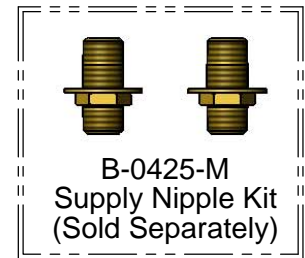


Ceramic Cartridges &
equip Lever Handles
w/ Color Coded Screws



4" [102mm]
Adjustable from
3 3/4" to 4 1/4"
[95mm to 108mm]

Ø 2" [51mm]
Flanges w/
1/2" NPT
Female Inlets



Model Number
5F-4DLX12

Date
06/05/12

Scale
1:4

Drawn
DHL

Checked
DMH

Approved
JHB

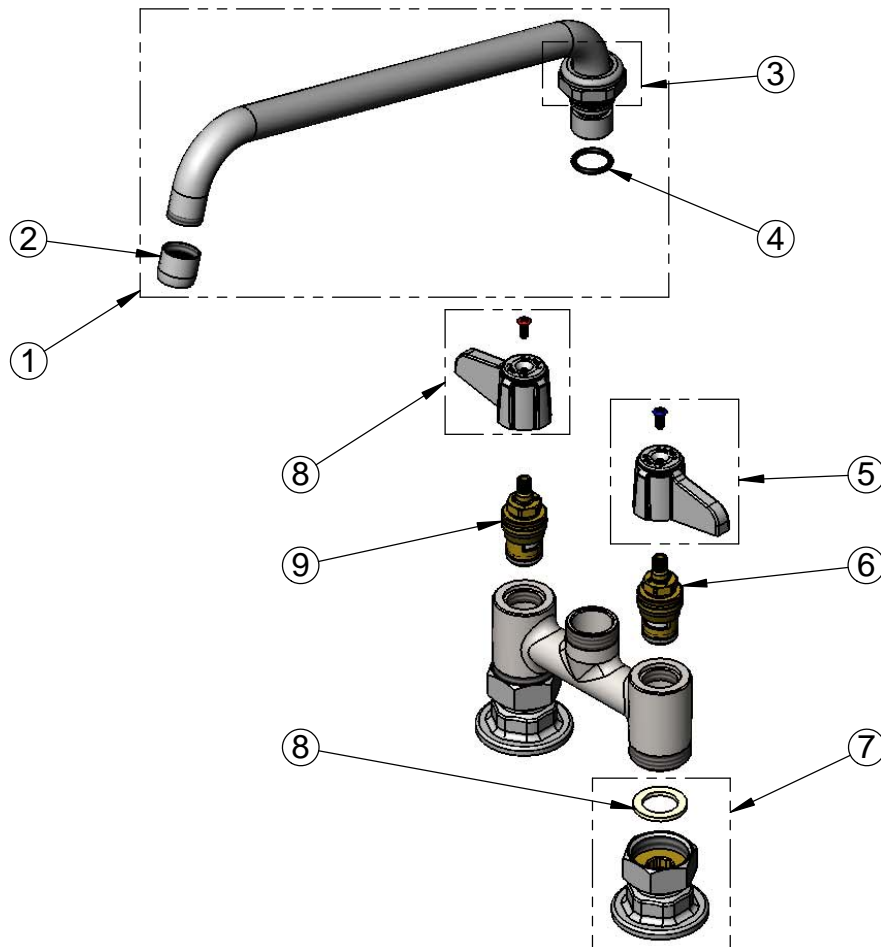


Product Specifications:

**4" Deck Mount Mixing Faucet w/ Ceramic Cartridges,
equip Lever Handles, 12" equip Swing Nozzle
& 1/2" NPT Female Inlets**

equip Foodservice Accessories
2 Saddleback Cove, P.O. Box 1088
Travelers Rest, South Carolina 29690
Phone: 800.891.4808 Fax: 800.868.0084

| ITEM NO. | SALES NO. | DESCRIPTION |
|----------|-----------|--|
| 1 | 5SP-12 | 12" equip Swing Nozzle |
| 2 | 014250-45 | Laminar Flow Device |
| 3 | 013839-45 | equip Swivel Nut |
| 4 | 013848-45 | equip Swivel Piece O-ring |
| 5 | 5-HDL-L | equip Lever Handle w/ Color Coded Screws |
| 6 | 013788-45 | equip Ceramic Cartridge, LTC |
| 7 | 00AA | 1/2" NPT Inlet Flange |
| 8 | 001019-45 | Coupling Nut Washer |
| 9 | 013787-45 | equip Ceramic Cartridge, RTC |



| | | | | | |
|---------------------------|------------------|--------------|--------------|----------------|-----------------|
| Model Number 5F-4DLX12 | Date 06/05/12 | Scale NTS | Drawn DHL | Checked DMH | Approved JHB |
|---------------------------|------------------|--------------|--------------|----------------|-----------------|



Product Specifications:
**4" Deck Mount Mixing Faucet w/ Ceramic Cartridges,
 equip Lever Handles, 12" equip Swing Nozzle
 & 1/2" NPT Female Inlets**

equip Foodservice Accessories
 2 Saddleback Cove, P.O. Box 1088
 Travelers Rest, South Carolina 29690
 Phone: 800.891.4808 Fax: 800.868.0084