



ADA Compliant

This Space for Architect/Engineer Approval

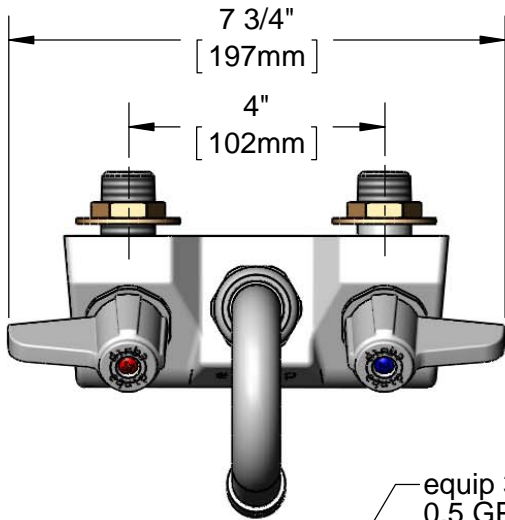
Job Name _____ Date _____

Model Specified _____ Quantity _____

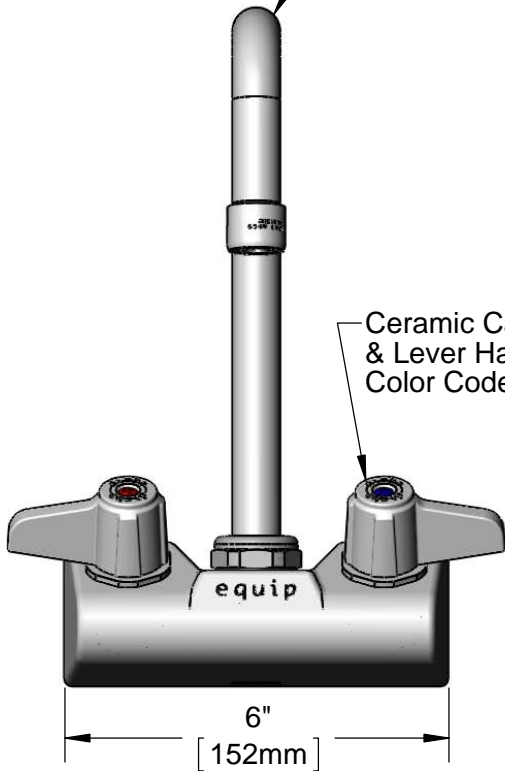
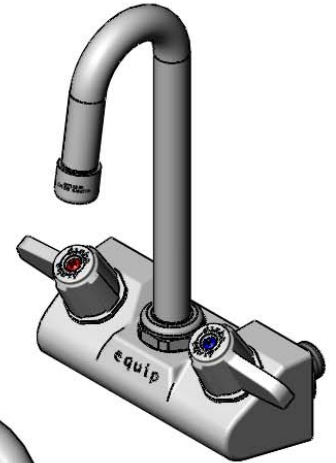
Customer/Wholesaler _____

Contractor _____

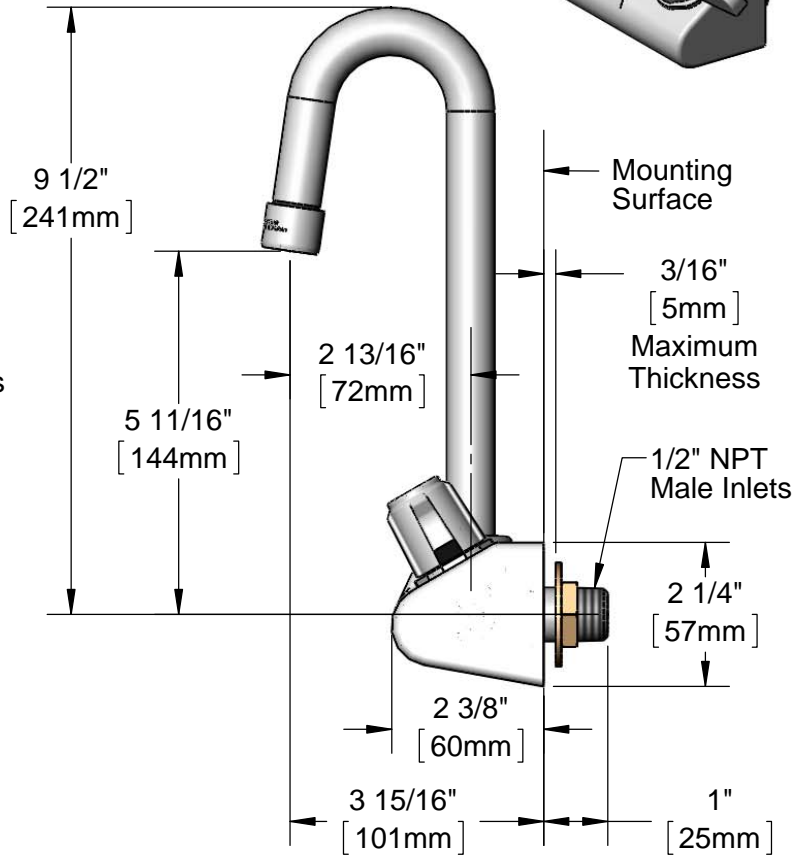
Architect/Engineer _____



equip 3" Swing Nozzle w/
0.5 GPM Vandal Resistant
Non-Aerated Spray Device.
Rigid Conversion Requires
014200-45 Lock Washer
(Sold Separately)



Ceramic Cartridges
& Lever Handles w/
Color Coded Screws



Rough-In Requirement:
(2) Ø 1" [25mm] Mounting Holes

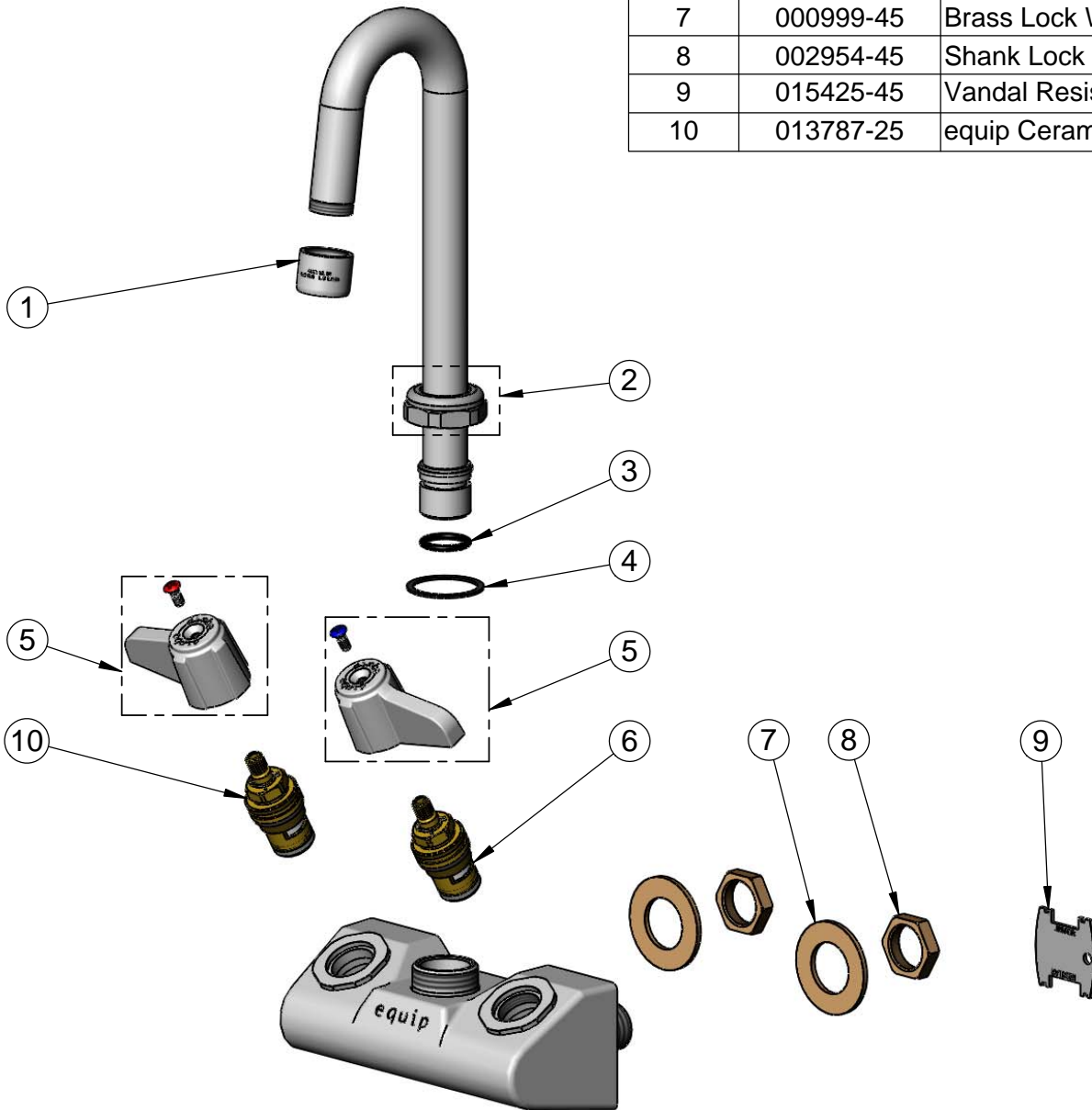
Model Number 5F-4WLX03-VF05	Date 02/11/13	Scale 1:3	Drawn DMH	Checked KJG	Approved JHB
---------------------------------------	-------------------------	---------------------	---------------------	-----------------------	------------------------



Product Specifications:
**4" Wall Mount Mixing Faucet w/ Ceramic Cartridges, equip Lever Handles,
equip 3" Swivel Gooseneck w/ 0.5 GPM Vandal Resistant Non-Aerated
Spray Device & 1/2" NPT Male Inlets**

equip Foodservice Accessories
2 Saddleback Cove, P.O. Box 1088
Travelers Rest, South Carolina 29690
Phone: 800.891.4808 Fax: 800.868.0084

ITEM NO.	SALES NO.	DESCRIPTION
1	5F-VF05	0.5 GPM VR Non-Aerated Spray Device, 3/4-27 Female
2	013839-25	equip Swivel Nut
3	013848-45	equip Swivel Piece O-ring
4	017587-45	Swivel Nut Seal
5	5-HDL-L	equip Lever Handle w/ Color Coded Screws
6	013788-25	equip Ceramic Cartridge, LTC
7	000999-45	Brass Lock Washer
8	002954-45	Shank Lock Nut
9	015425-45	Vandal Resistant Key
10	013787-25	equip Ceramic Cartridge, RTC



Model Number 5F-4WLX03-VF05	Date 02/11/13	Scale NTS	Drawn DMH	Checked KJG	Approved JHB
--------------------------------	------------------	--------------	--------------	----------------	-----------------



Product Specifications:
4" Wall Mount Mixing Faucet w/ Ceramic Cartridges, equip Lever Handles, equip 3" Swivel Gooseneck w/ 0.5 GPM Vandal Resistant Non-Aerated Spray Device & 1/2" NPT Male Inlets

equip Foodservice Accessories
 2 Saddleback Cove, P.O. Box 1088
 Travelers Rest, South Carolina 29690
 Phone: 800.891.4808 Fax: 800.868.0084