



ADA Compliant

This Space for Architect/Engineer Approval

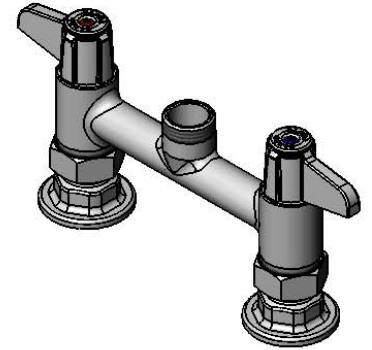
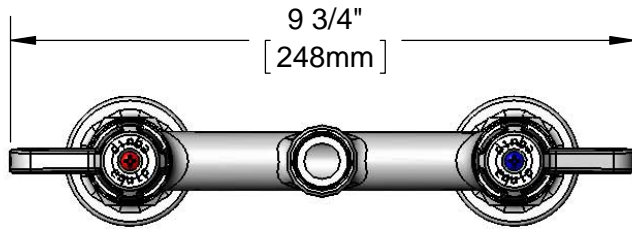
Job Name _____ Date _____

Model Specified _____ Quantity _____

Customer/Wholesaler _____

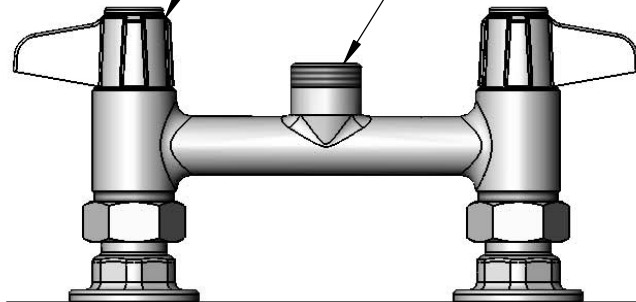
Contractor _____

Architect/Engineer _____

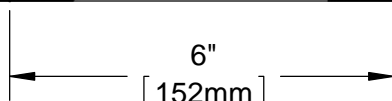


Ceramic Cartridges & equip Lever Handles w/ Color Coded Screws

Swivel Outlet Accepts equip Swing Nozzles. Rigid Conversion Requires 014200-45 Lock Washer (Sold Separately)



Mounting Surface



Adjustable From 5 3/4" to 6 1/4" [146mm to 159mm]

Ø 2" [51mm] Flanges w/ 1/2" NPT Female Inlets



Model Number
5F-6DLX00

Date
06/05/12

Scale
1:3

Drawn
DHL

Checked
DMH

Approved
JHB

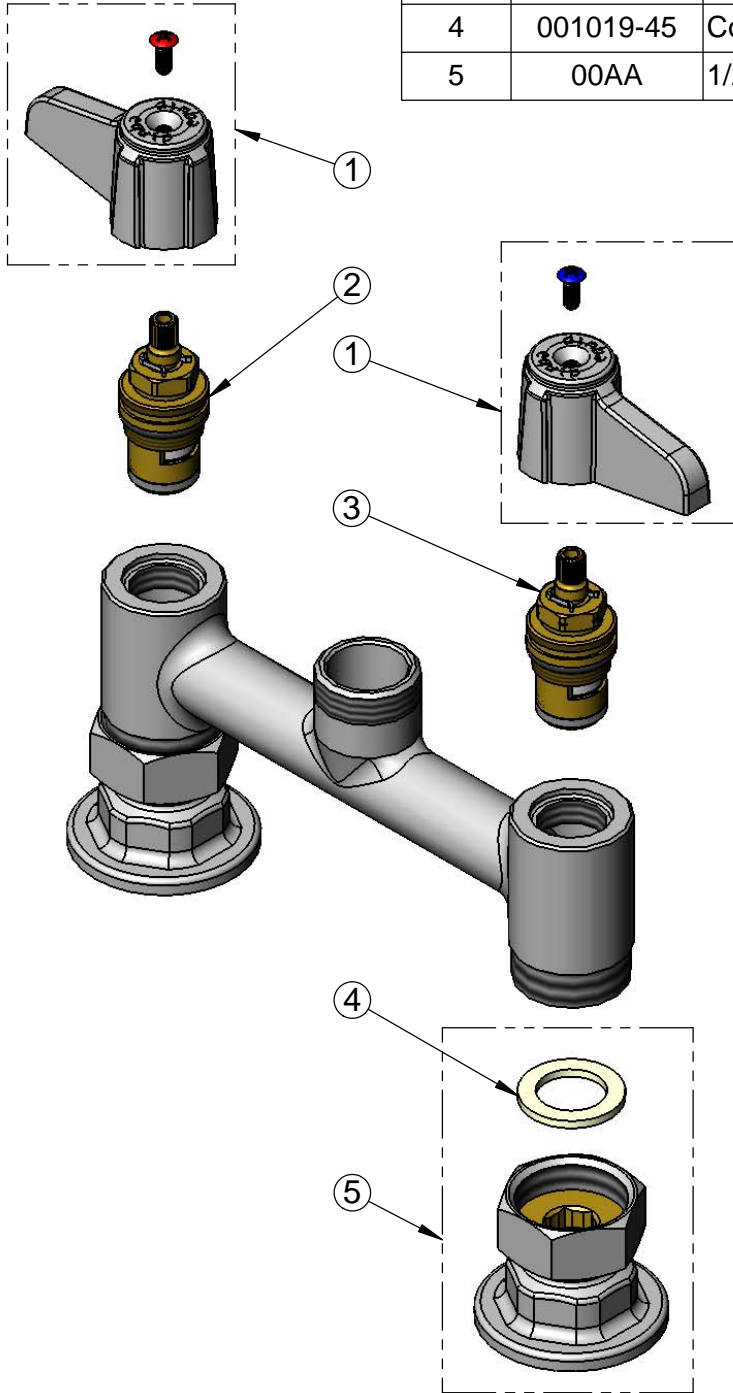


Product Specifications:

6" Deck Mount Mixing Faucet, Less Nozzle, Ceramic Cartridges, equip Lever Handles & 1/2" NPT Female Inlets

equip Foodservice Accessories
2 Saddleback Cove, P.O. Box 1088
Travelers Rest, South Carolina 29690
Phone: 800.891.4808 Fax: 800.868.0084

ITEM NO.	SALES NO.	DESCRIPTION
1	5-HDL-L	equip Lever Handle w/ Color Coded Screws
2	013787-45	equip Ceramic Cartridge, RTC
3	013788-45	equip Ceramic Cartridge, LTC
4	001019-45	Coupling Nut Washer
5	00AA	1/2" NPT Inlet Wall Flange



Model Number
5F-6DLX00

Date
06/05/12

Scale
NTS

Drawn
DHL

Checked
DMH

Approved
JHB



Product Specifications:

**6" Deck Mount Mixing Faucet, Less Nozzle, Ceramic Cartridges,
equip Lever Handles & 1/2" NPT Female Inlets**

equip Foodservice Accessories
2 Saddleback Cove, P.O. Box 1088
Travelers Rest, South Carolina 29690
Phone: 800.891.4808 Fax: 800.868.0084