



**ADA Compliant**

*This Space for Architect/Engineer Approval*

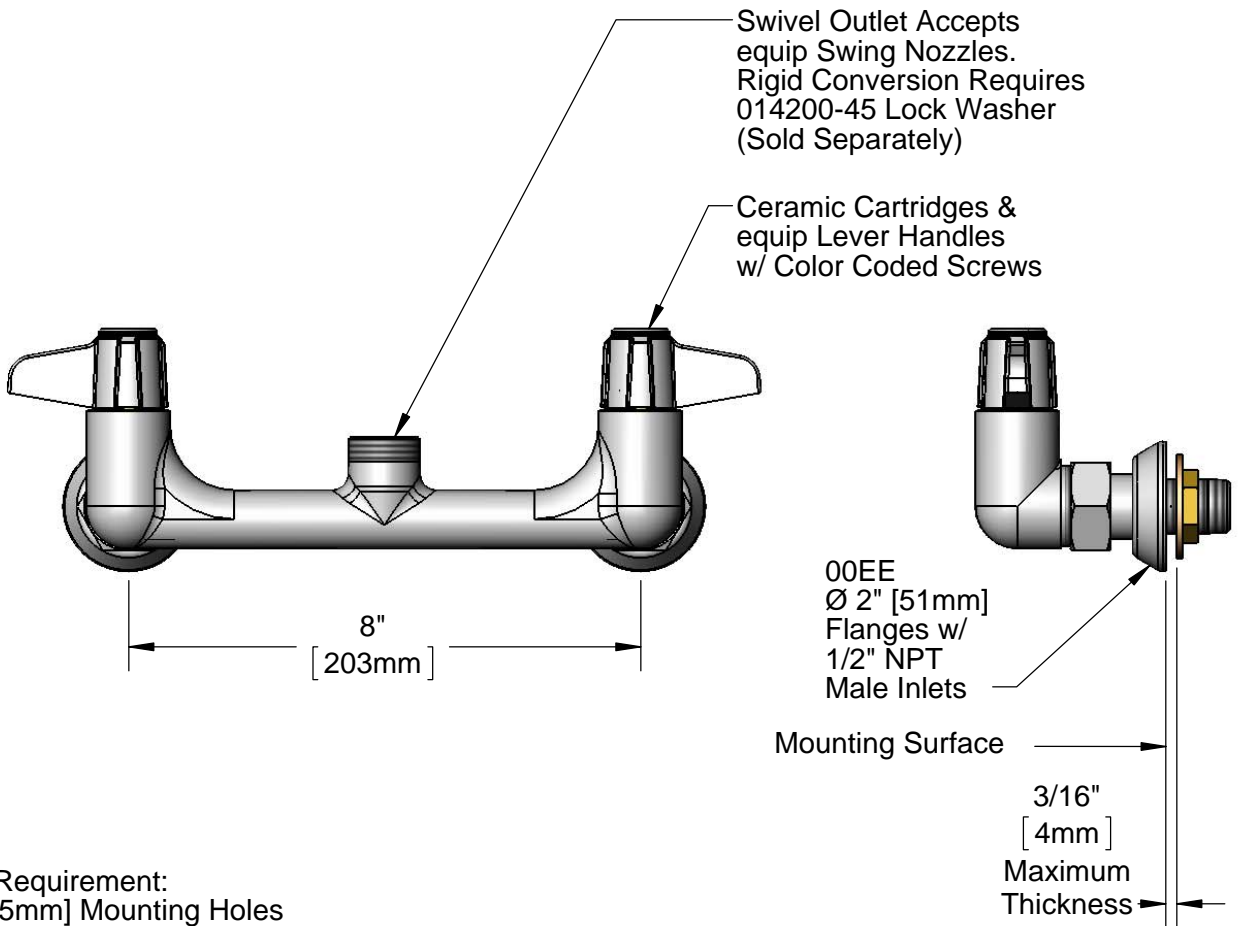
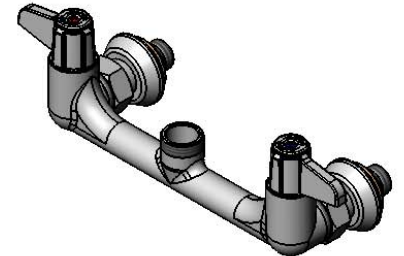
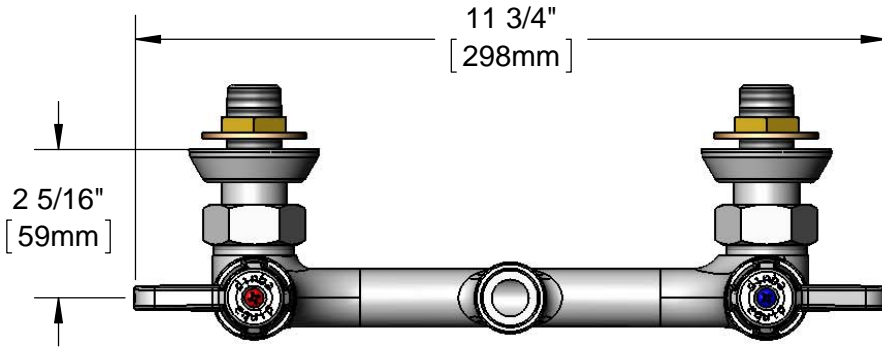
Job Name \_\_\_\_\_ Date \_\_\_\_\_

Model Specified \_\_\_\_\_ Quantity \_\_\_\_\_

Customer/Wholesaler \_\_\_\_\_

Contractor \_\_\_\_\_

Architect/Engineer \_\_\_\_\_



Swivel Outlet Accepts equip Swing Nozzles. Rigid Conversion Requires 014200-45 Lock Washer (Sold Separately)

Ceramic Cartridges & equip Lever Handles w/ Color Coded Screws

00EE  
Ø 2" [51mm]  
Flanges w/  
1/2" NPT  
Male Inlets

Mounting Surface  
3/16"  
[4mm]  
Maximum  
Thickness

Rough-In Requirement:  
(2) Ø 1" [25mm] Mounting Holes

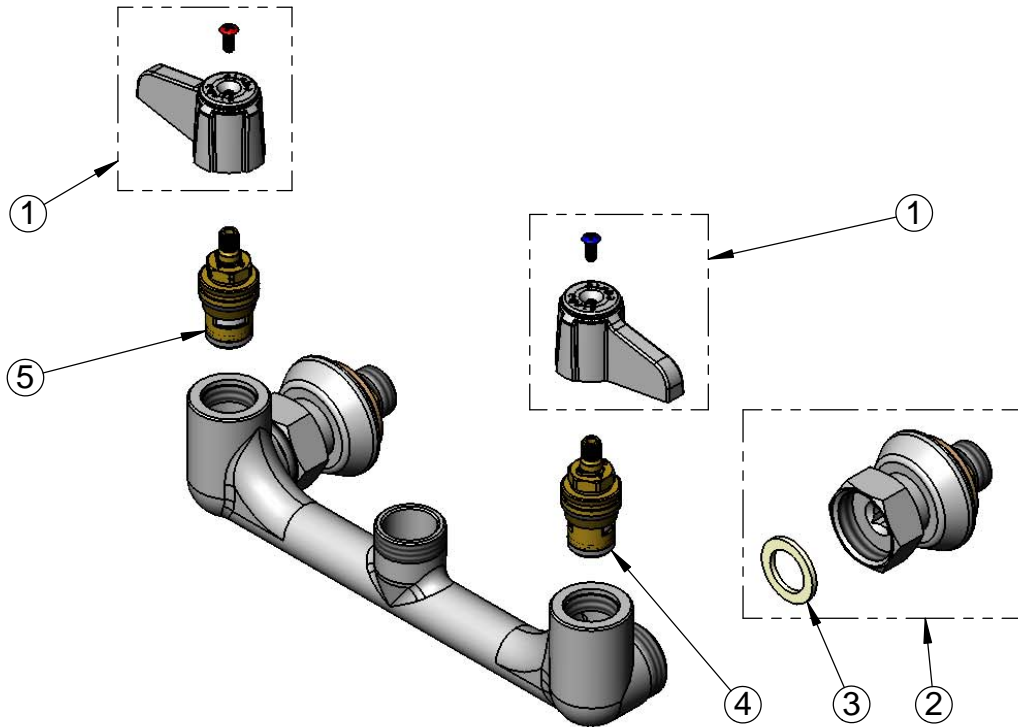
Model Number 5F-8WLX00-EE	Date 06/05/12	Scale 1:3	Drawn DHL	Checked DMH	Approved JHB
------------------------------	------------------	--------------	--------------	----------------	-----------------

Product Specifications:  
**8" Wall Mount Mixing Faucet, Less Nozzle, Ceramic Cartridges, equip Lever Handles & 1/2" NPT Male Inlets**



equip Foodservice Accessories  
2 Saddleback Cove, P.O. Box 1088  
Travelers Rest, South Carolina 29690  
Phone: 800.891.4808 Fax: 800.868.0084

ITEM NO.	SALES NO.	DESCRIPTION
1	5-HDL-L	equip Lever Handle w/ Color Coded Screws
2	00EE	1/2" NPT Male Inlet Flange
3	001019-45	Coupling Nut Washer
4	013788-45	equip Ceramic Cartridge, LTC
5	013787-45	equip Ceramic Cartridge, RTC



Model Number  
5F-8WLX00-EE

Date  
06/05/12

Scale  
NTS

Drawn  
DHL

Checked  
DMH

Approved  
JHB



Product Specifications:

8" Wall Mount Mixing Faucet, Less Nozzle, Ceramic Cartridges,  
equip Lever Handles & 1/2" NPT Male Inlets

equip Foodservice Accessories  
2 Saddleback Cove, P.O. Box 1088  
Travelers Rest, South Carolina 29690  
Phone: 800.891.4808 Fax: 800.868.0084