



**ADA Compliant**

*This Space for Architect/Engineer Approval*

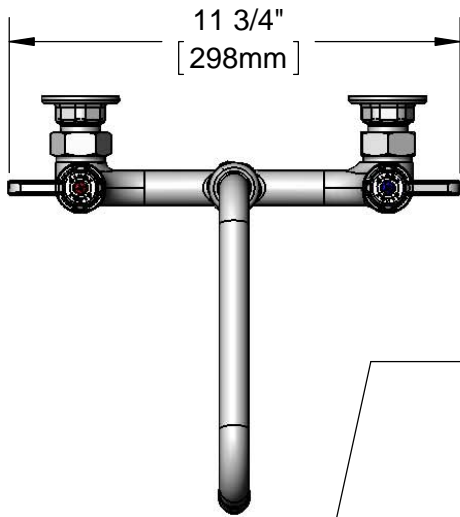
Job Name \_\_\_\_\_ Date \_\_\_\_\_

Model Specified \_\_\_\_\_ Quantity \_\_\_\_\_

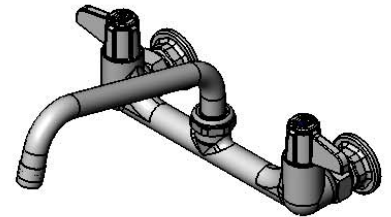
Customer/Wholesaler \_\_\_\_\_

Contractor \_\_\_\_\_

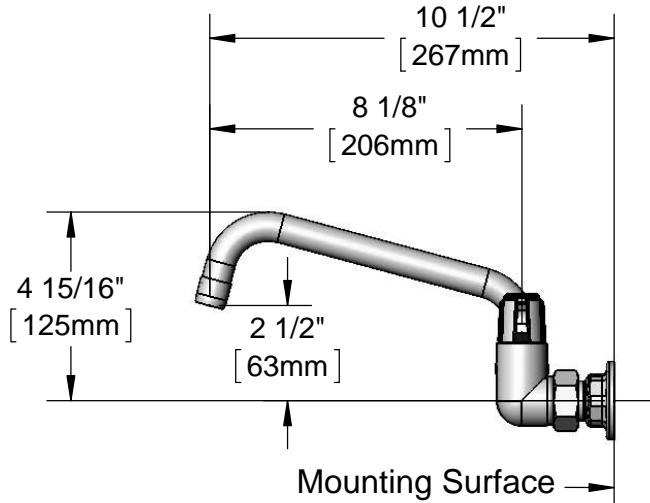
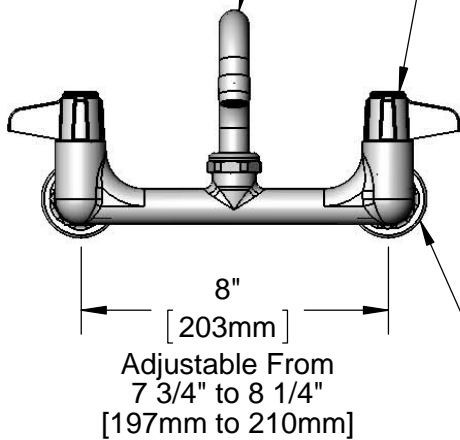
Architect/Engineer \_\_\_\_\_



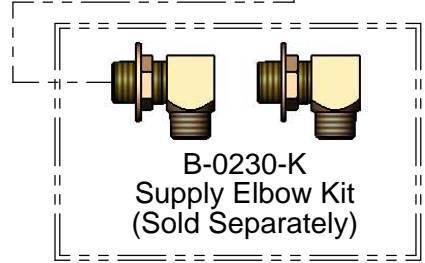
5SP-08  
8" equip Swing Nozzle  
w/ Laminar Flow Device.  
Rigid Conversion Requires  
014200-45 Lock Washer  
(Sold Separately)



Ceramic Cartridges &  
equip Lever Handles  
w/ Color Coded Screws



Ø 2" [51mm]  
Flanges w/  
1/2" NPT  
Female Inlets



B-0230-K  
Supply Elbow Kit  
(Sold Separately)

Model Number  
5F-8WLX08

Date  
06/05/12

Scale  
1:4

Drawn  
DHL

Checked  
DMH

Approved  
JHB

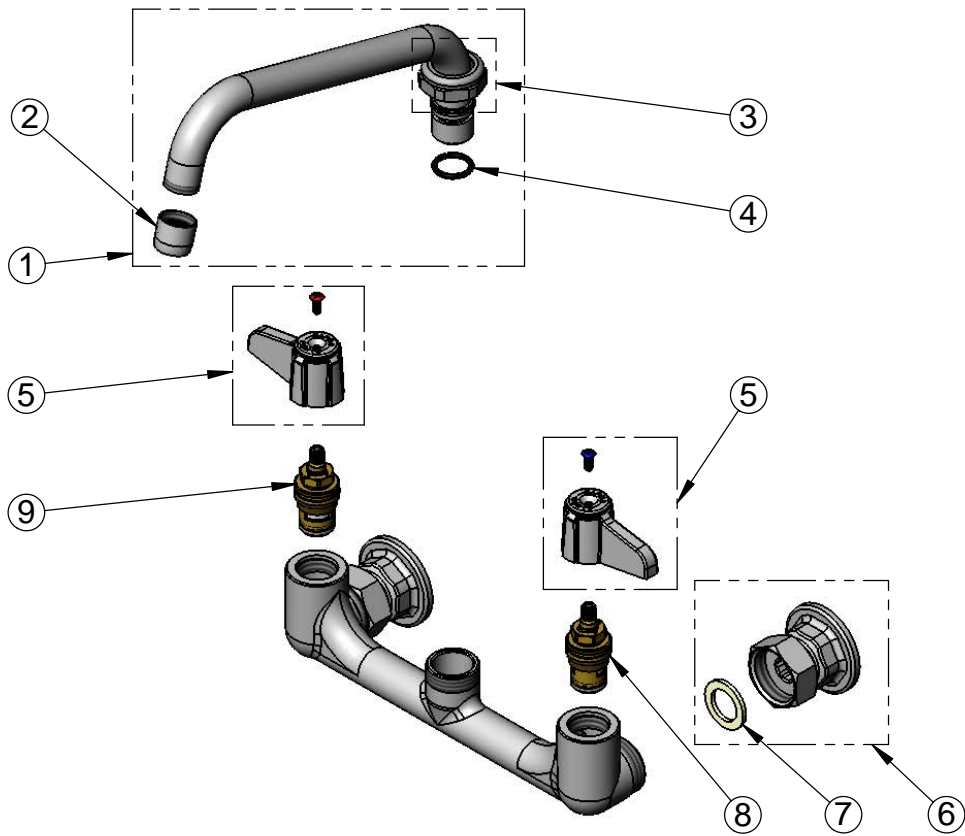


Product Specifications:

8" Wall Mount Mixing Faucet w/ Ceramic Cartridges,  
equip Lever Handles, 8" equip Swing Nozzle  
& 1/2" NPT Female Inlets

equip Foodservice Accessories  
2 Saddleback Cove, P.O. Box 1088  
Travelers Rest, South Carolina 29690  
Phone: 800.891.4808 Fax: 800.868.0084

ITEM NO.	SALES NO.	DESCRIPTION
1	5SP-08	8" equip Swing Nozzle
2	014250-40	Laminar Flow Device
3	013839-25	equip Swivel Nut
4	013848-45	equip Swivel Piece O-ring
5	5-HDL-L	equip Lever Handle w/ Color Coded Screws
6	00AA	Flange Assembly
7	001019-45	Coupling Nut Washer
8	013788-45	equip Ceramic Cartridge, LTC
9	013787-45	equip Ceramic Cartridge, RTC



Model Number  
5F-8WLX08

Date  
06/05/12

Scale  
NTS

Drawn  
DHL

Checked  
DMH

Approved  
JHB



Product Specifications:

8" Wall Mount Mixing Faucet w/ Ceramic Cartridges,  
equip Lever Handles, 8" equip Swing Nozzle  
& 1/2" NPT Female Inlets

equip Foodservice Accessories  
2 Saddleback Cove, P.O. Box 1088  
Travelers Rest, South Carolina 29690  
Phone: 800.891.4808 Fax: 800.868.0084