



ADA Compliant

This Space for Architect/Engineer Approval

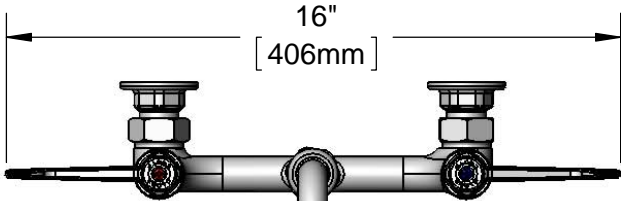
Job Name _____ Date _____

Model Specified _____ Quantity _____

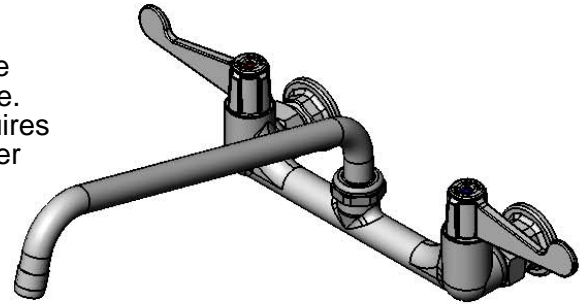
Customer/Wholesaler _____

Contractor _____

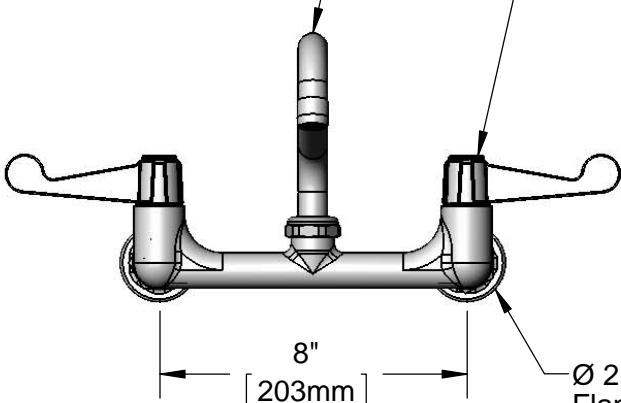
Architect/Engineer _____



5SP-12
12" equip Swing Nozzle
w/ Laminar Flow Device.
Rigid Conversion Requires
014200-45 Lock Washer
(Sold Separately)

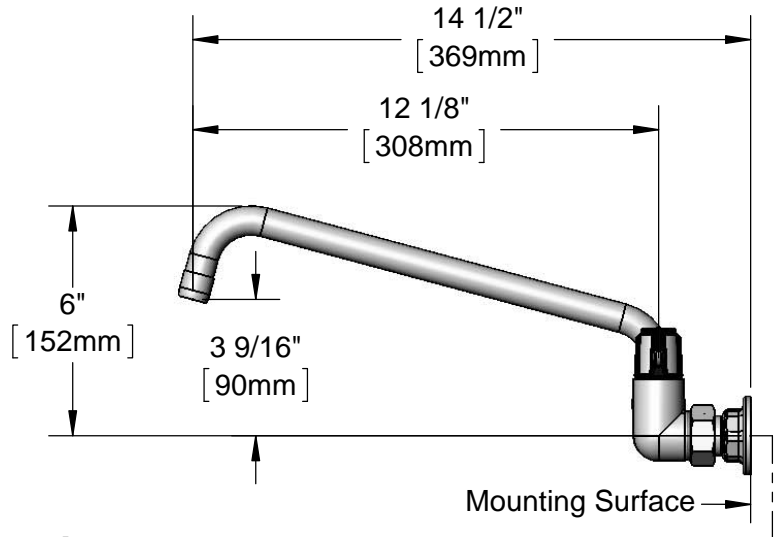


Ceramic Cartridges &
equip 4" Wrist Action Handles
w/ Color Coded Screws

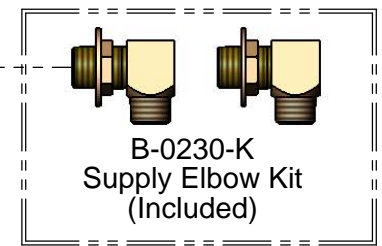


8"
[203mm]
Adjustable From
7 3/4" to 8 1/4"
[197mm to 210mm]

Ø 2" [51mm]
Flanges w/
1/2" NPT
Female Inlets



Mounting Surface



Rough-In Requirement:
(2) Ø 1" [25mm] Mounting Holes

Model Number 5F-8WWS12	Date 06/05/12	Scale 1:5	Drawn DHL	Checked DMH	Approved JHB
---------------------------	------------------	--------------	--------------	----------------	-----------------

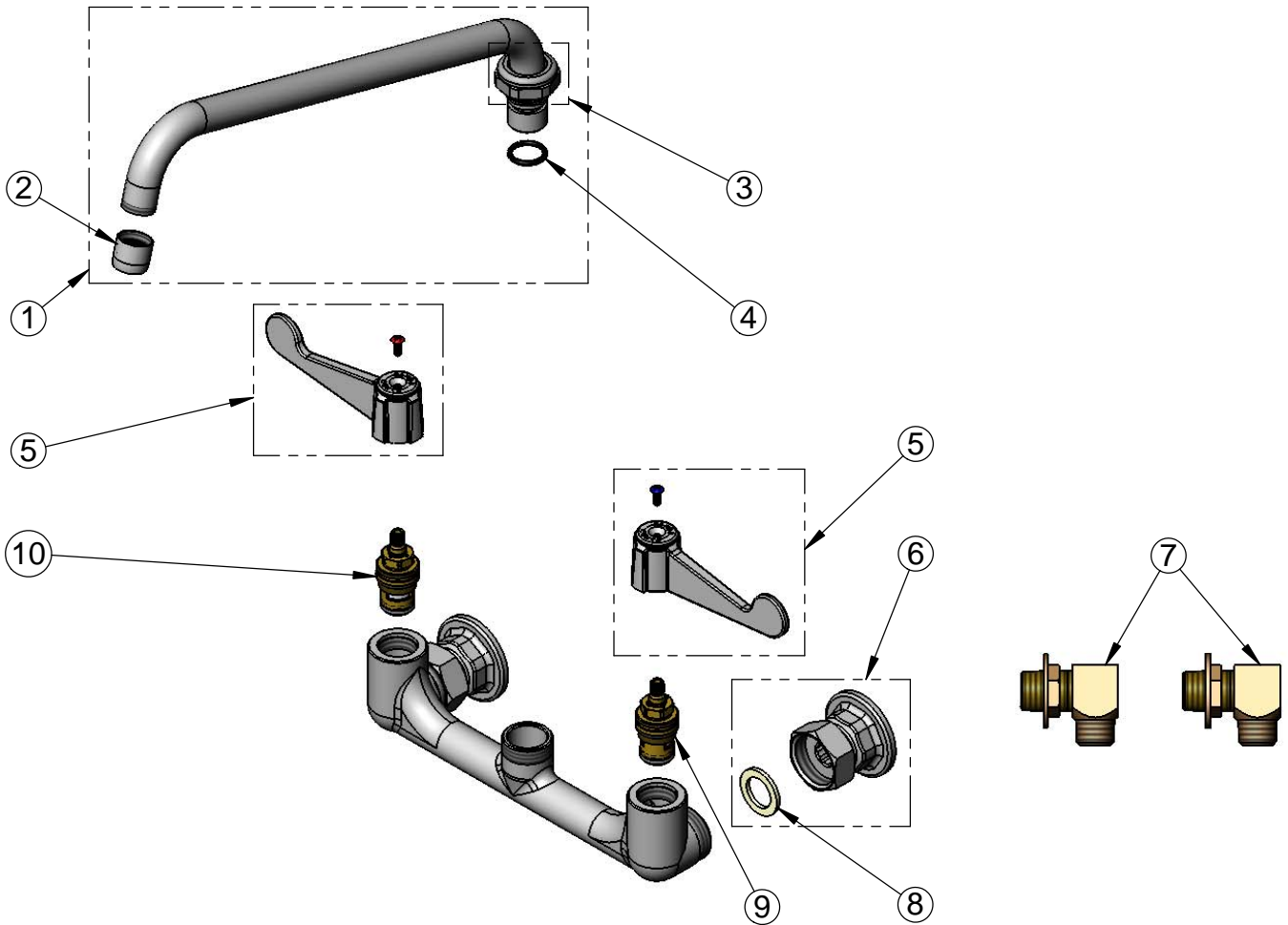
Product Specifications:

**8" Wall Mount Mixing Faucet w/ Ceramic Cartridges,
equip 4" Wrist Action Handles, 12" equip Swing Nozzle
& 1/2" NPT Supply Elbow Kit**



equip Foodservice Accessories
2 Saddleback Cove, P.O. Box 1088
Travelers Rest, South Carolina 29690
Phone: 800.891.4808 Fax: 800.868.0084

ITEM NO.	SALES NO.	DESCRIPTION
1	5SP-12	12" equip Swing Nozzle
2	014250-40	Laminar Flow Device
3	013839-25	equip Swivel Nut
4	013848-45	equip Swivel Piece O-ring
5	5-HDL-W	equip 4" Wrist Action Handle w/ Color Coded Screws
6	00AA	Flange Assembly
7	B-0230-K	1/2" NPT Supply Inlet Kit
8	001019-45	Coupling Nut Washer
9	013788-45	equip Ceramic Cartridge, LTC
10	013787-45	equip Ceramic Cartridge, RTC



Model Number 5F-8WWS12	Date 06/05/12	Scale NTS	Drawn DHL	Checked DMH	Approved JHB
---------------------------	------------------	--------------	--------------	----------------	-----------------



Product Specifications:

8" Wall Mount Mixing Faucet w/ Ceramic Cartridges,
equip 4" Wrist Action Handles, 12" equip Swing Nozzle
& 1/2" NPT Supply Elbow Kit

equip Foodservice Accessories
2 Saddleback Cove, P.O. Box 1088
Travelers Rest, South Carolina 29690
Phone: 800.891.4808 Fax: 800.868.0084