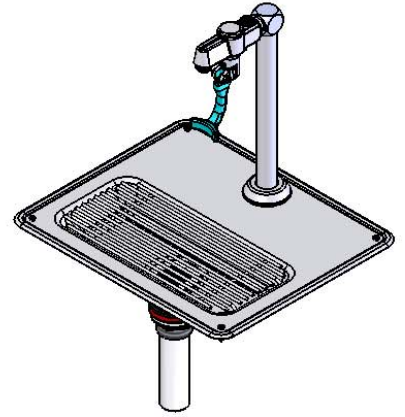


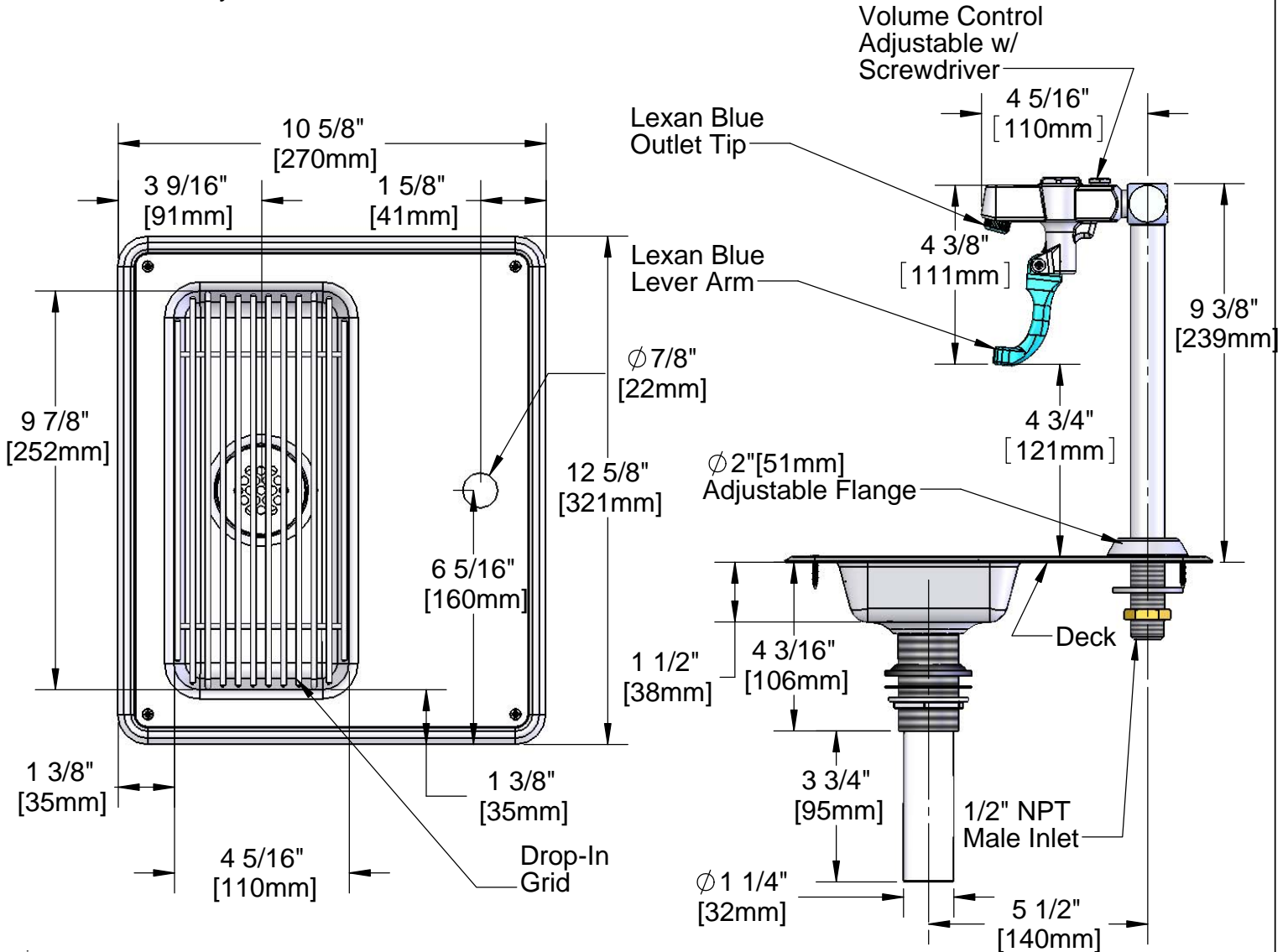
This Space for Architect/Engineer Approval

Job Name _____ Date _____
 Model Specified _____ Quantity _____
 Customer/Wholesaler _____
 Contractor _____
 Architect/Engineer _____



Note:

- 18 Gauge Stainless Steel Pan w/ Beaded Edge.
Supplied w/ Mastic & Stainless Steel Screws for Mounting.
- Suggested Cut-Out Size for Pan is 10-1/2" x 5". Customer to Verify Actual Cut Out Needed Prior to Installation.



Model Number 5GF-8P-WS	Date 10/03/11	Scale 1:4	Drawn JRM	Checked KJG	Approved JHB
----------------------------------	-------------------------	---------------------	---------------------	-----------------------	------------------------

Product Specifications:
Water Station w/ Pedestal Type Retro Glass Filler, 18 Gauge Stainless Steel Drip Pan, & 1-1/4" Drain



equip Foodservice Accessories
 2 Saddleback Cove, P.O. Box 1088
 Travelers Rest, South Carolina 29690
 Phone: 800.891.4808 Fax: 800.868.0084