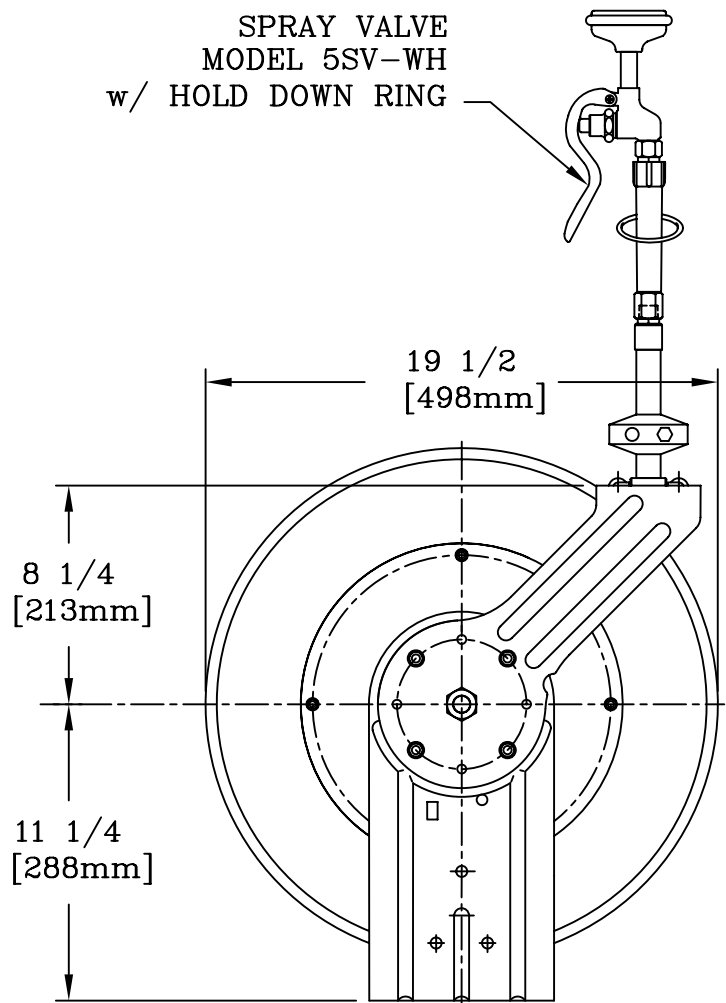
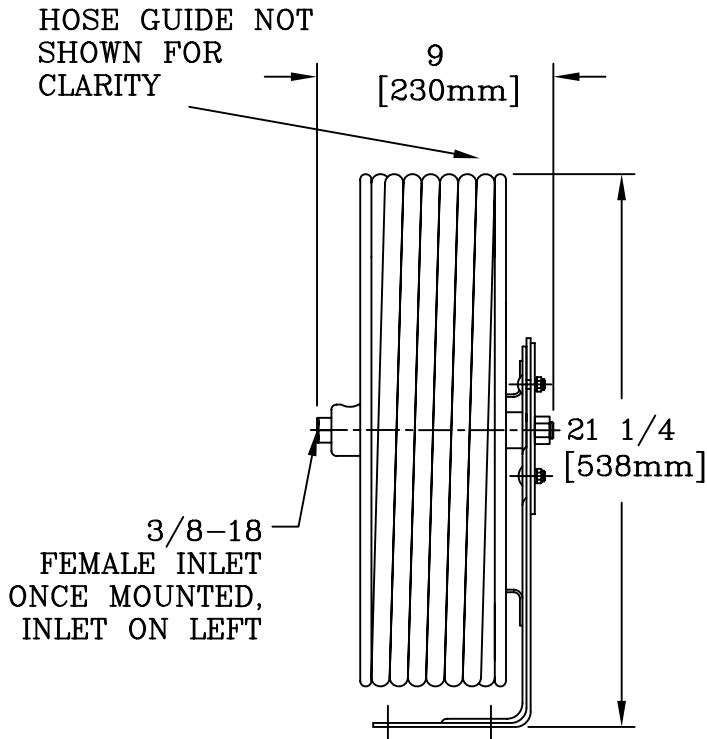
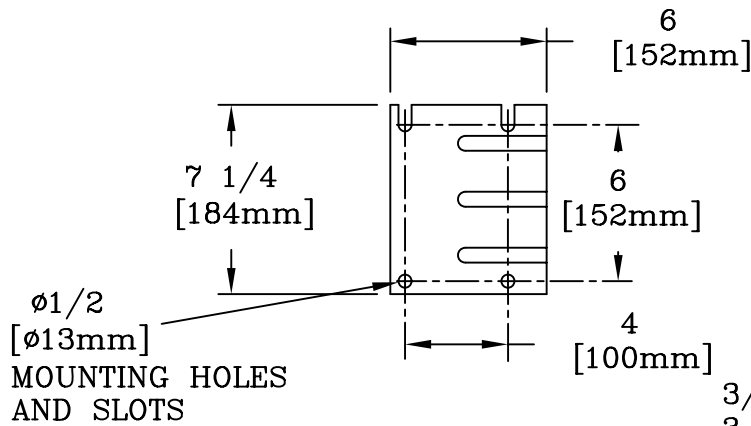


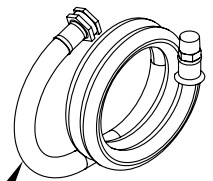
SPRAY VALVE  
MODEL 5SV-WH  
w/ HOLD DOWN RING



NOTE: HOSE RATINGS ARE AS FOLLOWS:  
PRESSURE: 300 PSI MAX.  
TEMPERATURE: 0°-176°F



3/8" x 3' CONNECTOR HOSE  
3/8" NPT MALE x  
3/4"-11.5NH FEMALE



PRIMARY DIMENSIONS IN INCHES UNLESS SPECIFIED OTHERWISE.

MODEL NUMBER	5HR-242-01-GH	DATE	01/05/09	SCALE	1:8	DRAWING SIZE	A	DRAWN	JRM	CHECKED	DHL	APPROVED	JHB
--------------	---------------	------	----------	-------	-----	--------------	---	-------	-----	---------	-----	----------	-----



DESCRIPTION OPEN HOSE REEL, BLACK POWDER COATED STEEL, WITH 50' OF 3/8" DIA. HOSE, 3' BLACK CONNECTOR HOSE w/GARDEN HOSE END AND SPRAY VALVE

equip Foodservice Accessories  
P.O. BOX 1088, 2 SADDLEBACK COVE  
TRAVELERS REST, SOUTH CAROLINA 29690  
PHONE: 800.891.4808 FAX: 800.868.0084

