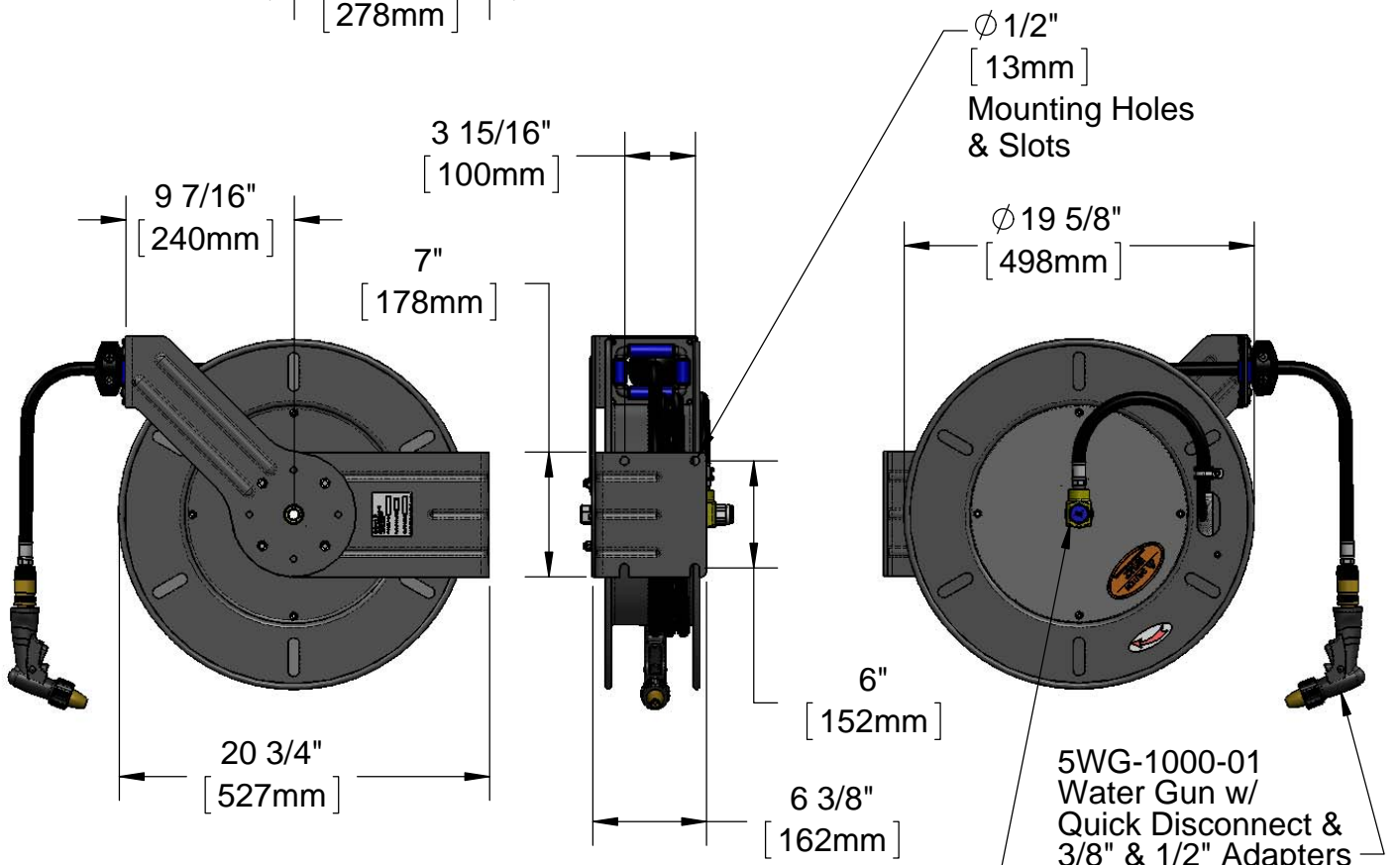
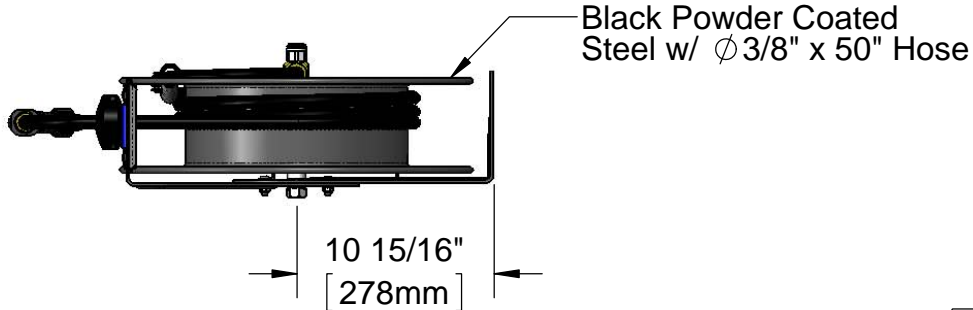


This Space for Architect/Engineer Approval

Job Name \_\_\_\_\_ Date \_\_\_\_\_  
 Model Specified \_\_\_\_\_ Quantity \_\_\_\_\_  
 Customer/Wholesaler \_\_\_\_\_  
 Contractor \_\_\_\_\_  
 Architect/Engineer \_\_\_\_\_



Stainless Steel Shaft & Brass Swivel w/ 3/8" NPT Female Inlet (Left Side of Reel)

Hose Ratings

Pressure: 300 PSI Max.  
 Temperature: 0° - 176°F

Model Number 5HR-242-09	Date 03/02/12	Scale 1:32	Drawn KJG	Checked DHL	Approved JHB
----------------------------	------------------	---------------	--------------	----------------	-----------------

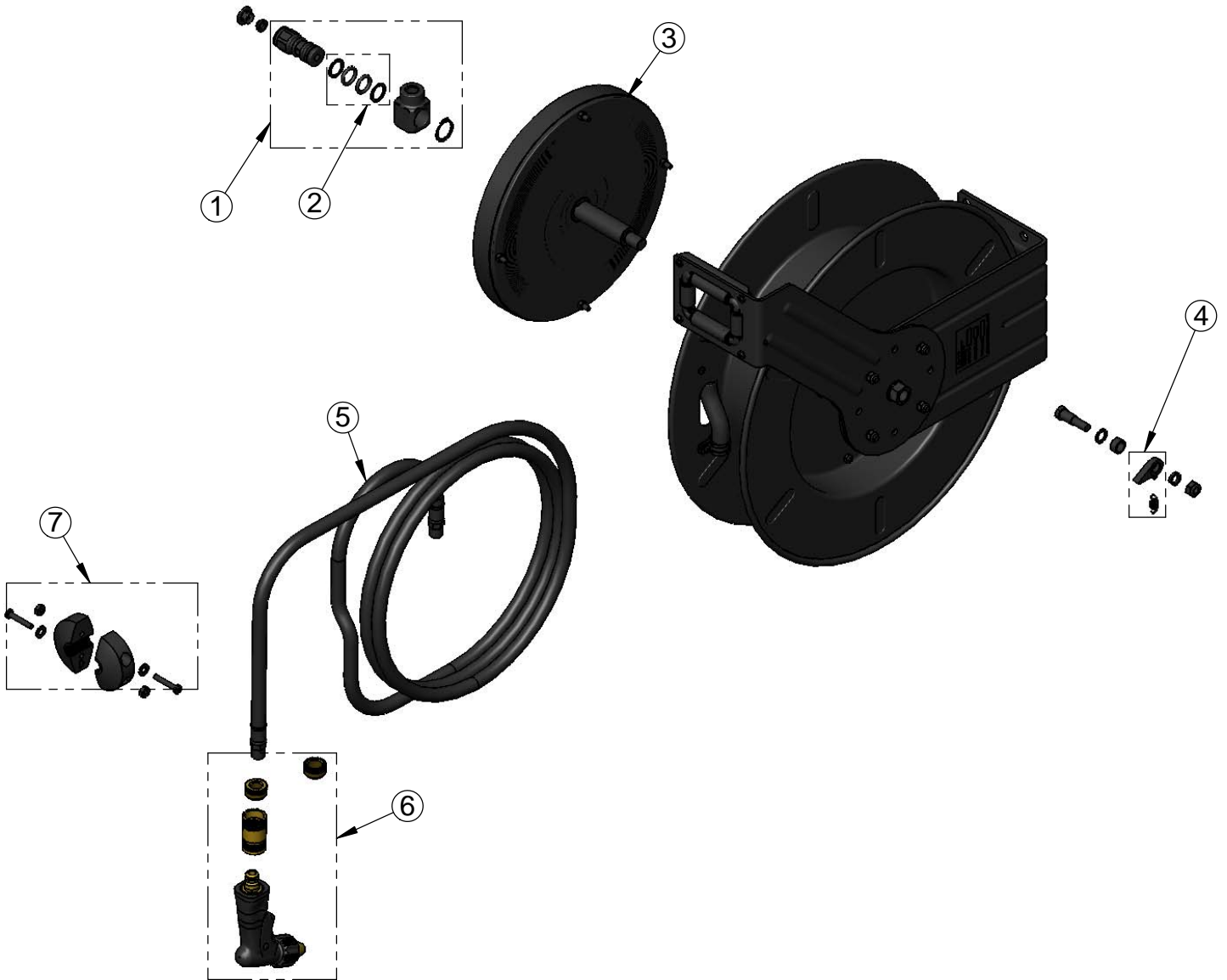
Product Specifications:

Black Powder Coated Steel, Open Hose Reel w/ 3/8" x 50' Hose & Water Gun w/ Adapters



equip Foodservice Accessories  
 2 Saddleback Cove, P.O. Box 1088  
 Travelers Rest, South Carolina 29690  
 Phone: 800.891.4808 Fax: 800.868.0084

ITEM NO.	SALES NO.	DESCRIPTION
1	5HR-2SA	Complete 3/8" Swivel Assembly
2	G014512-45	Seal Kit
3	G016684-45	Spring Assembly
4	014940-45	Ratchet Repair Kit
5	5HR-2HSE-50	∅ 3/8" x 50" Hose
6	5WG-1000-01	equip Water Gun w/ QD, 3/8" & 1/2" Adapters
7	014949-45	Hose Stop Repair Kit



Model Number 5HR-242-09	Date 03/02/12	Scale NTS	Drawn KJG	Checked DHL	Approved JHB
----------------------------	------------------	--------------	--------------	----------------	-----------------



Product Specifications:

Black Powder Coated Steel, Open Hose Reel  
w/ 3/8" x 50' Hose & Water Gun w/ Adapters

equip Foodservice Accessories  
2 Saddleback Cove, P.O. Box 1088  
Travelers Rest, South Carolina 29690  
Phone: 800.891.4808 Fax: 800.868.0084