

2 3/8"
[60mm]

12 1/8"
[308mm]

This Space for Architect/Engineer Approval

Job Name _____ Date _____

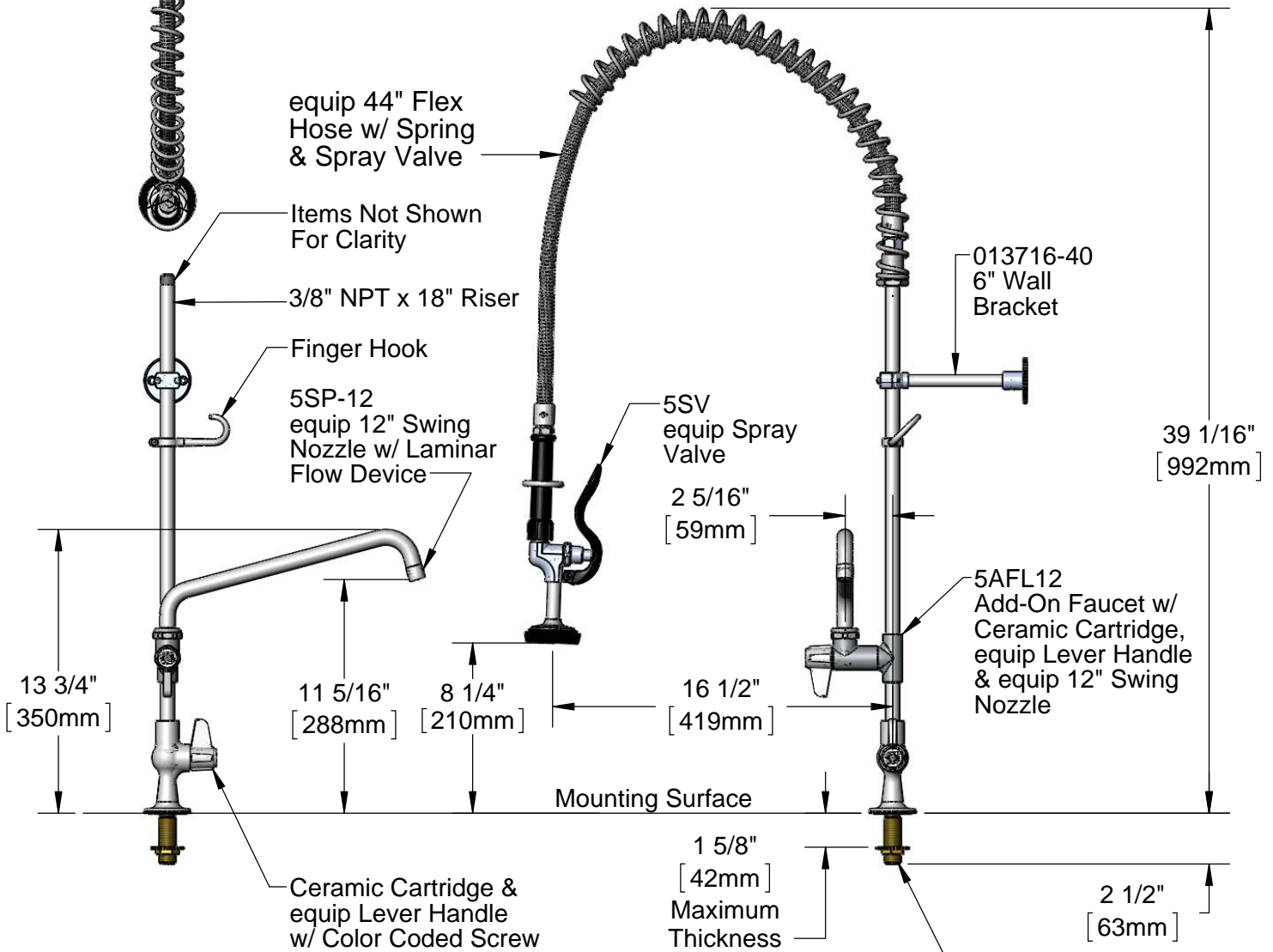
Model Specified _____ Quantity _____

Customer/Wholesaler _____

Contractor _____

Architect/Engineer _____

EPAct 2005 Compliant



Rough-In Requirement:
Ø 1" [25mm] Mounting Hole

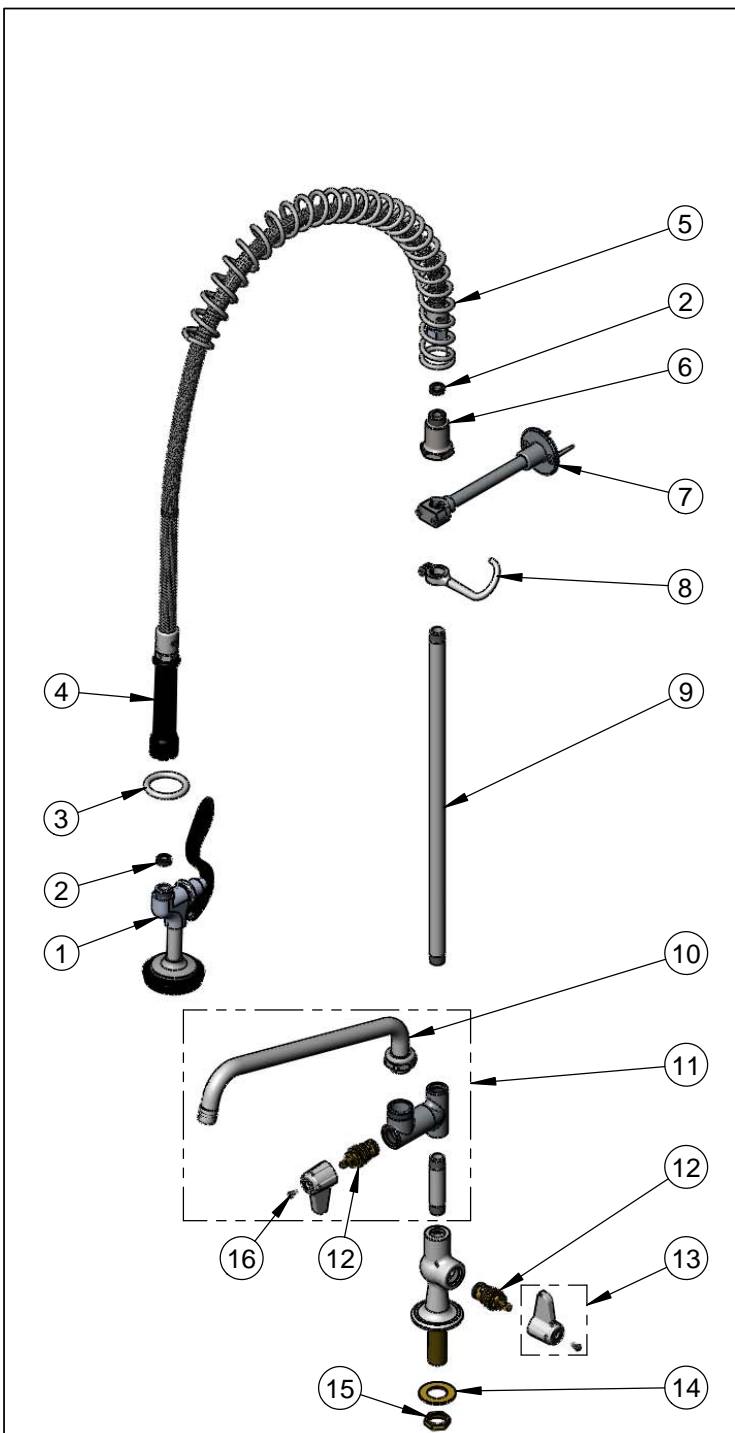
Model Number 5PR-1S12	Date 08/08/12	Scale 1:8	Drawn DHL	Checked DMH	Approved JHB
--------------------------	------------------	--------------	--------------	----------------	-----------------

Product Specifications:

PRU: Single Hole Deck Mount Faucet, Ceramic Cartridge, equip 12" Swing Nozzle, equip 44" Flex Hose, 5SV equip Spray Valve, 6" Wall Bracket & 1/2" NPSM Male Inlet



equip Foodservice Accessories
2 Saddleback Cove, P.O. Box 1088
Travelers Rest, South Carolina 29690
Phone: 800.891.4808 Fax: 800.868.0084



ITEM NO.	SALES NO.	DESCRIPTION
1	5SV	equip Spray Valve
2	010476-45	#27 Washer
3	000907-45	Spray Valve Hold Down Ring
4	5HSE44	equip 44" Flex Hose (Includes Washers)
5	014068-45	Overhead Spring
6	000821-40	Spring Body
7	013716-40	6" Wall Bracket
8	004R	Finger Hook
9	000369-40	3/8" NPT x 18" Long Riser
10	5SP-12	equip 12" Swing Nozzle
11	5AFL12	equip Add-On Faucet w/ equip 12" Swing Nozzle
12	013787-45	equip Ceramic Cartridge, RTC
13	5-HDL-L	equip Lever Handle w/ Color Coded Screws
14	000999-45	Brass Lock Washer
15	002954-45	Shank Lock Nut
16	013849-45	Screw, 4mm Metric (10)

Model Number 5PR-1S12	Date 08/08/12	Scale NTS	Drawn DHL	Checked DMH	Approved JHB
--------------------------	------------------	--------------	--------------	----------------	-----------------

	Product Specifications: PRU: Single Hole Deck Mount Faucet, Ceramic Cartridge, equip 12" Swing Nozzle, equip 44" Flex Hose, 5SV equip Spray Valve, 6" Wall Bracket & 1/2" NPSM Male Inlet
	equip Foodservice Accessories 2 Saddleback Cove, P.O. Box 1088 Travelers Rest, South Carolina 29690 Phone: 800.891.4808 Fax: 800.868.0084