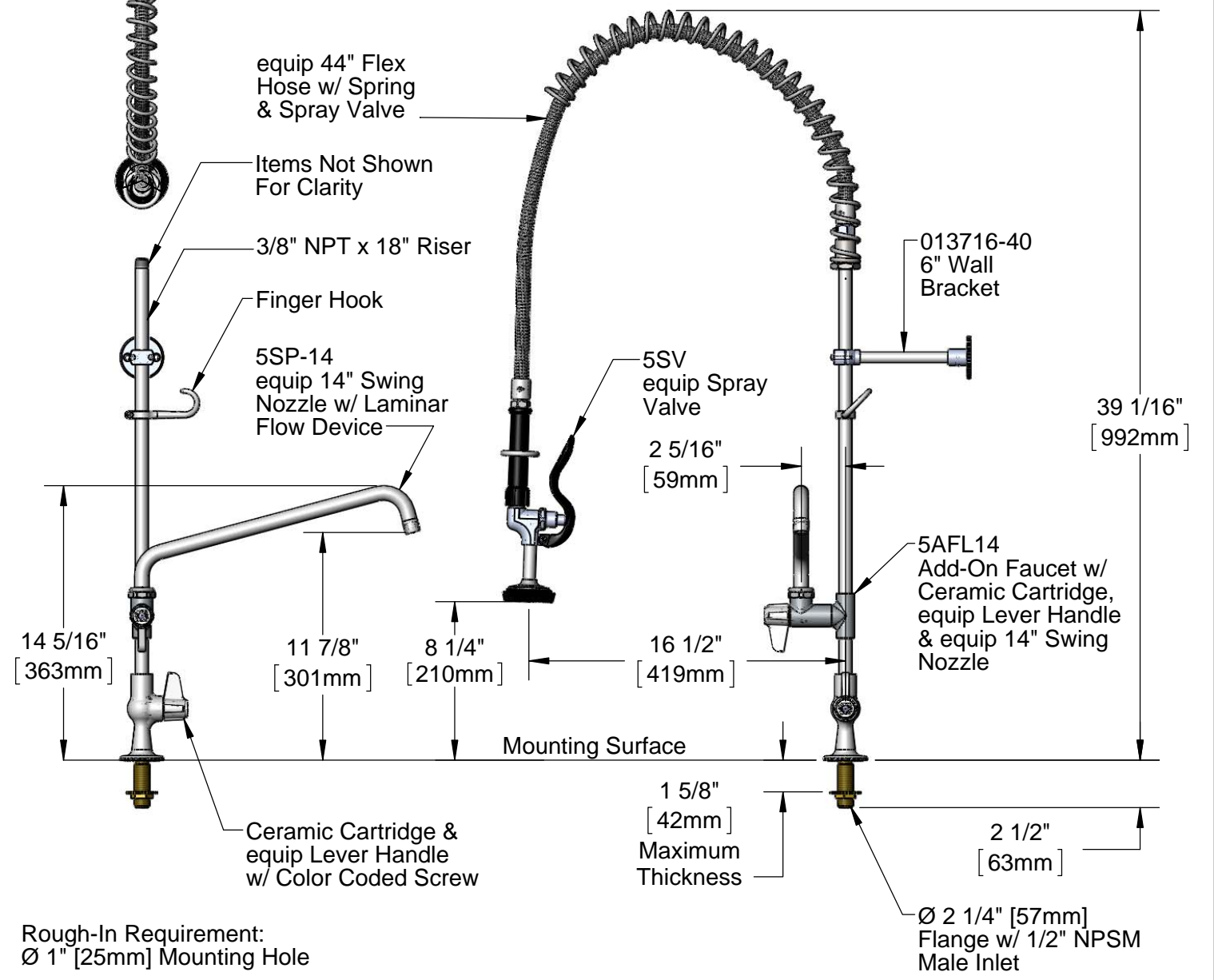


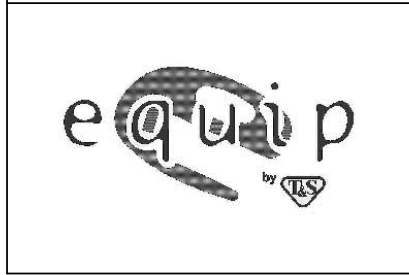
*This Space for Architect/Engineer Approval*  
 Job Name \_\_\_\_\_ Date \_\_\_\_\_  
 Model Specified \_\_\_\_\_ Quantity \_\_\_\_\_  
 Customer/Wholesaler \_\_\_\_\_  
 Contractor \_\_\_\_\_  
 Architect/Engineer \_\_\_\_\_

**EPAct 2005 Compliant**



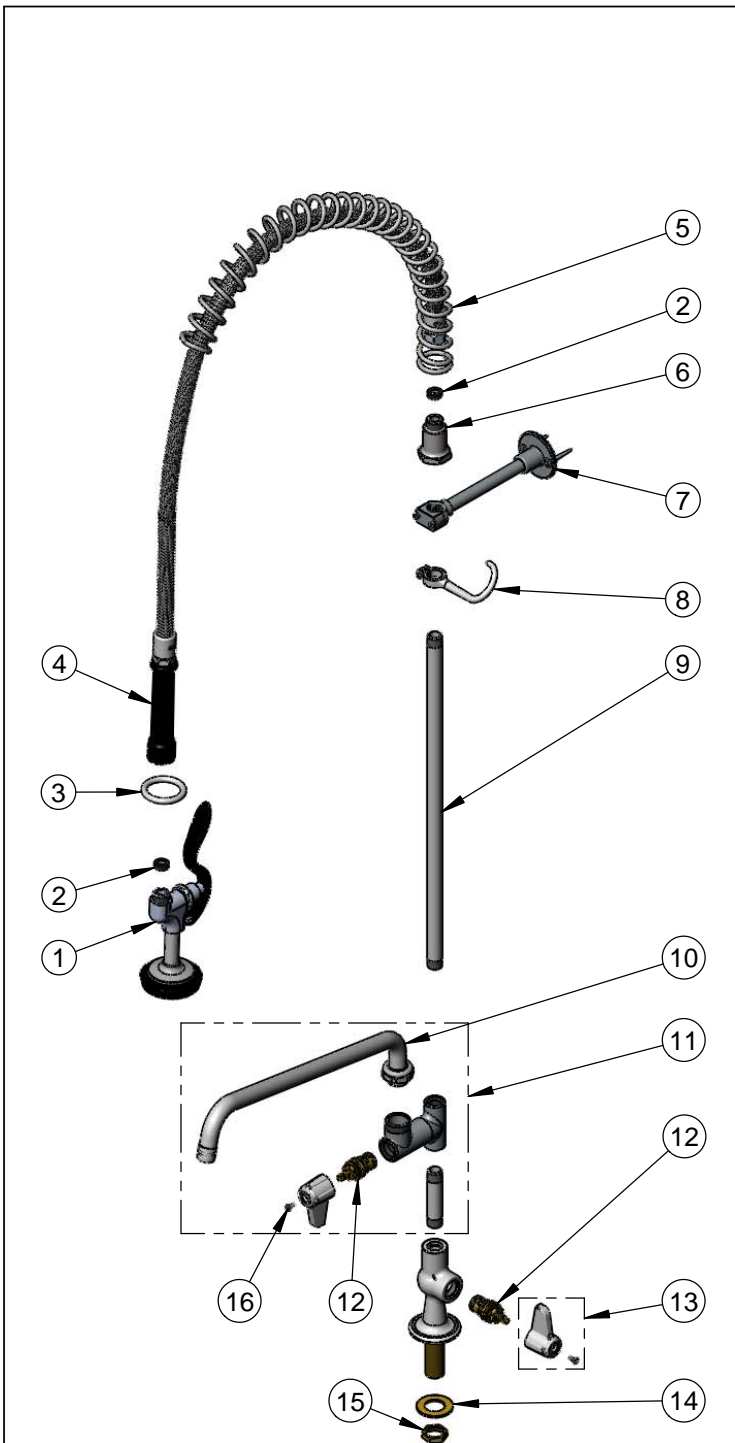
**Rough-In Requirement:**  
 Ø 1" [25mm] Mounting Hole

Model Number <b>5PR-1S14</b>	Date <b>08/08/12</b>	Scale <b>1:8</b>	Drawn <b>DHL</b>	Checked <b>DMH</b>	Approved <b>JHB</b>
---------------------------------	-------------------------	---------------------	---------------------	-----------------------	------------------------




**Product Specifications:**  
**PRU: Single Hole Deck Mount Faucet, Ceramic Cartridge, equip 14" Swing Nozzle, equip 44" Flex Hose, 5SV equip Spray Valve, 6" Wall Bracket & 1/2" NPSM Male Inlet**

equip Foodservice Accessories  
 2 Saddleback Cove, P.O. Box 1088  
 Travelers Rest, South Carolina 29690  
 Phone: 800.891.4808 Fax: 800.868.0084



ITEM NO.	SALES NO.	DESCRIPTION
1	5SV	equip Spray Valve
2	010476-45	#27 Washer
3	000907-45	Spray Valve Hold Down Ring
4	5HSE44	equip 44" Flex Hose (Includes Washers)
5	014068-45	Overhead Spring
6	000821-40	Spring Body
7	013716-40	6" Wall Bracket
8	004R	Finger Hook
9	000369-40	3/8" NPT x 18" Long Riser
10	5SP-14	equip 14" Swing Nozzle
11	5AFL14	equip Add-On Faucet w/ equip 14" Swing Nozzle
12	013787-45	equip Ceramic Cartridge, RTC
13	5-HDL-L	equip Lever Handle w/ Color Coded Screws
14	000999-45	Brass Lock Washer
15	002954-45	Shank Lock Nut
16	013849-45	Screw, 4mm Metric (10)

Model Number 5PR-1S14	Date 08/08/12	Scale NTS	Drawn DHL	Checked DMH	Approved JHB
--------------------------	------------------	--------------	--------------	----------------	-----------------

	<b>Product Specifications:</b> <b>PRU: Single Hole Deck Mount Faucet, Ceramic Cartridge, equip 14" Swing Nozzle, equip 44" Flex Hose, 5SV equip Spray Valve, 6" Wall Bracket &amp; 1/2" NPSM Male Inlet</b>
	equip Foodservice Accessories 2 Saddleback Cove, P.O. Box 1088 Travelers Rest, South Carolina 29690 Phone: 800.891.4808 Fax: 800.868.0084