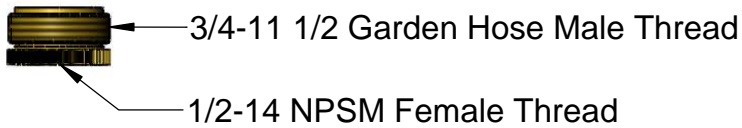
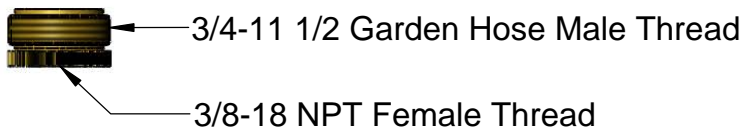
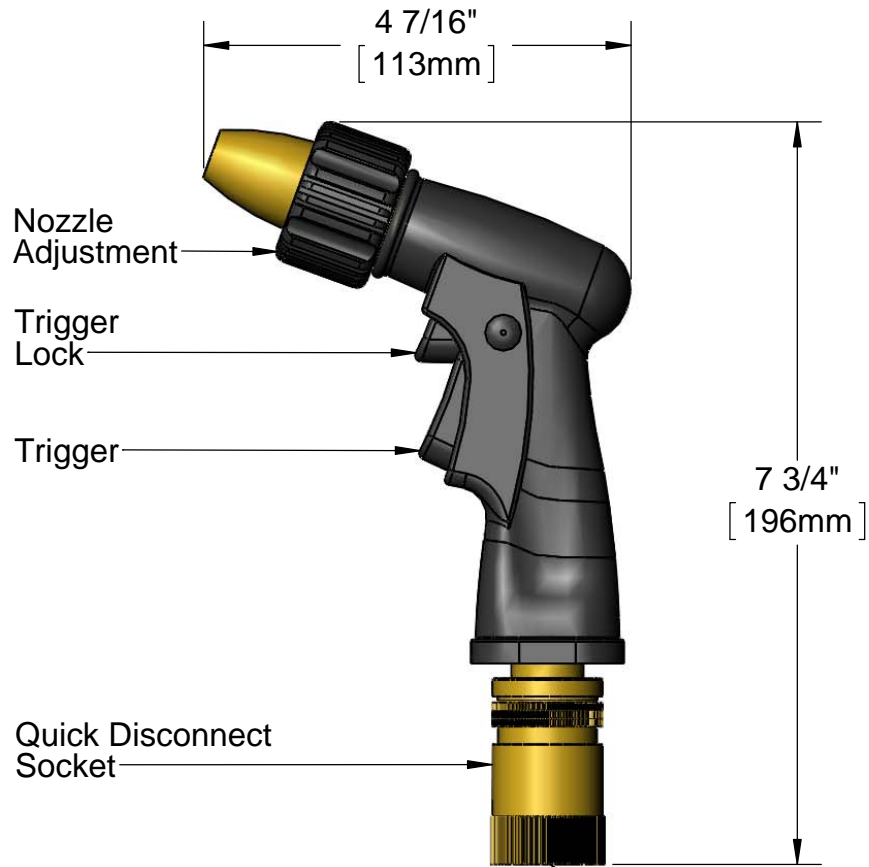


This Space for Architect/Engineer Approval

Job Name _____ Date _____
 Model Specified _____ Quantity _____
 Customer/Wholesaler _____
 Contractor _____
 Architect/Engineer _____



3/4-11 1/2 Garden Hose Female Thread

Model Number 5WG-1000-01	Date 01/05/12	Scale 1:2	Drawn DHL	Checked KJG	Approved JHB
-----------------------------	------------------	--------------	--------------	----------------	-----------------



Product Specifications:
 Water Gun w/ Quick Disconnect, 1/2" & 3/8 Adapters

equip Foodservice Accessories
 2 Saddleback Cove, P.O. Box 1088
 Travelers Rest, South Carolina 29690
 Phone: 800.891.4808 Fax: 800.868.0084