



**T&S BRASS AND BRONZE WORKS, INC.**  
 2 Saddleback Cove / P.O. Box 1088  
 Travelers Rest, SC 29690

Model No.  
**B-0036-H-SWV**

Item No.

Travelers Rest, SC: 800-476-4103 • Simi Valley, CA: 800-423-0150 • Fax: 864-834-3518 • www.tsbrass.com

This Space for Architect/Engineer Approval

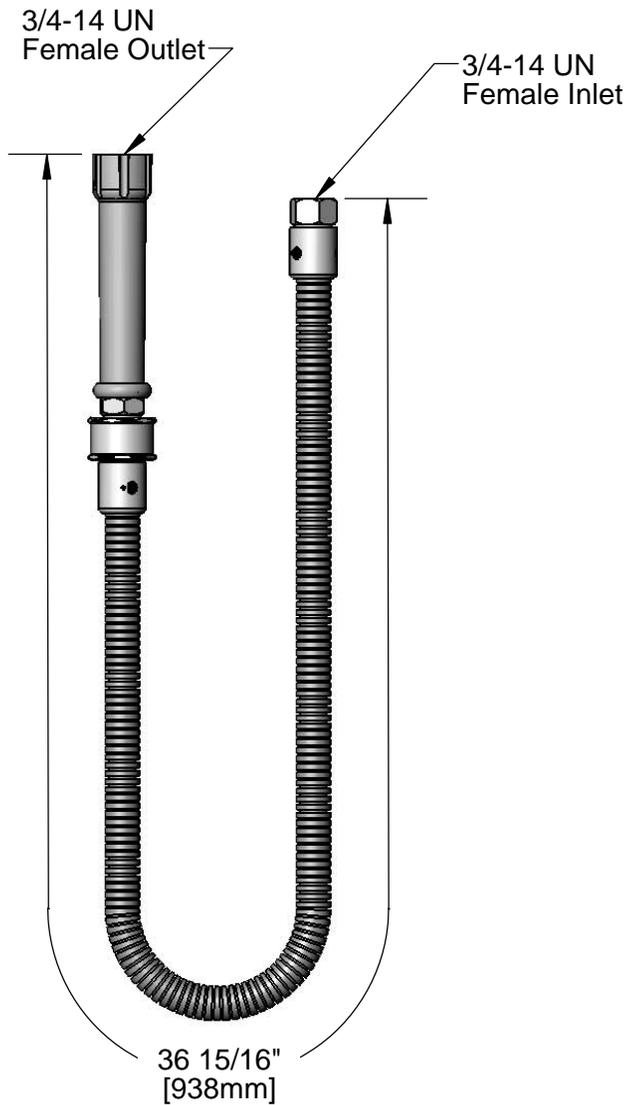
Job Name \_\_\_\_\_ Date \_\_\_\_\_

Model Specified \_\_\_\_\_ Quantity \_\_\_\_\_

Customer/Wholesaler \_\_\_\_\_

Contractor \_\_\_\_\_

Architect/Engineer \_\_\_\_\_



  
 (2) 010476-45  
 Washers  
 (Included)

Product Specifications:  
 36" Stainless Steel Flex Hose w/  
 Gray Handle, Swivel & Polyurethane Inner Hose

|                      |                       |                          |
|----------------------|-----------------------|--------------------------|
| Drawn<br><b>JRM</b>  | Checked<br><b>DMH</b> | Approved<br><b>JHB</b>   |
| Scale:<br><b>1:4</b> |                       | Date:<br><b>12/17/13</b> |



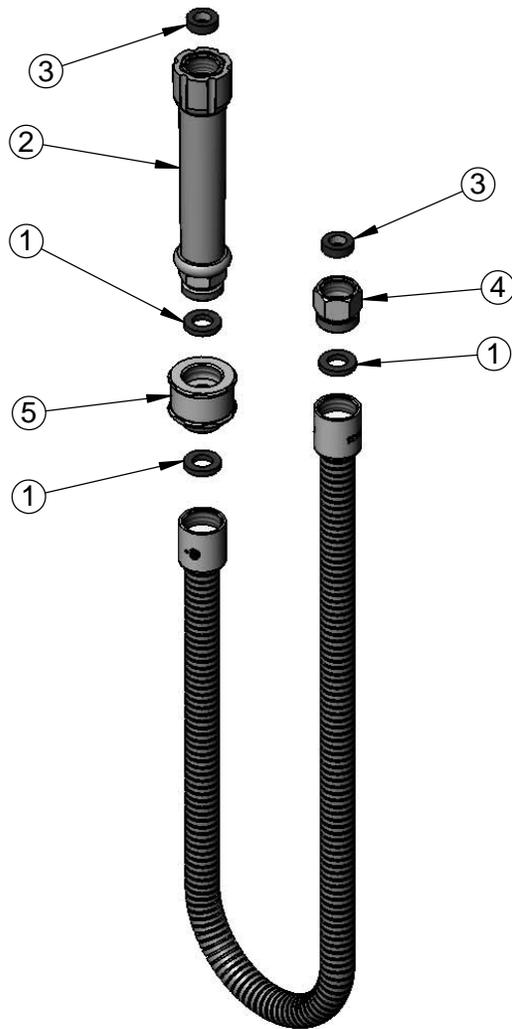
**T&S BRASS AND BRONZE WORKS, INC.**  
 2 Saddleback Cove / P.O. Box 1088  
 Travelers Rest, SC 29690

Model No.  
**B-0036-H-SWV**

Item No.

Travelers Rest, SC: 800-476-4103 • Simi Valley, CA: 800-423-0150 • Fax: 864-834-3518 • www.tsbrass.com

| ITEM NO. | SALES NO. | DESCRIPTION                        |
|----------|-----------|------------------------------------|
| 1        | 001014-45 | Washer, B-0100 Hose Barrel         |
| 2        | 002987-40 | Gray Grip Handle                   |
| 3        | 010476-45 | #27 Washer                         |
| 4        | 000729-40 | Nut, 7/8"-20 Male x 3/4"-14 Female |
| 5        | 018200-40 | Pre-Rinse Swivel                   |



Product Specifications:  
 36" Stainless Steel Flex Hose w/  
 Gray Handle, Swivel & Polyurethane Inner Hose

|                      |                       |                          |
|----------------------|-----------------------|--------------------------|
| Drawn<br><b>JRM</b>  | Checked<br><b>DMH</b> | Approved<br><b>JHB</b>   |
| Scale:<br><b>NTS</b> |                       | Date:<br><b>12/17/13</b> |