



T&S BRASS AND BRONZE WORKS, INC.
 2 Saddleback Cove / P.O. Box 1088
 Travelers Rest, SC 29690

Model No.

B-0044-H-SWV

Item No.

Travelers Rest, SC: 800-476-4103 • Simi Valley, CA: 800-423-0150 • Fax: 864-834-3518 • www.tsbrass.com

This Space for Architect/Engineer Approval

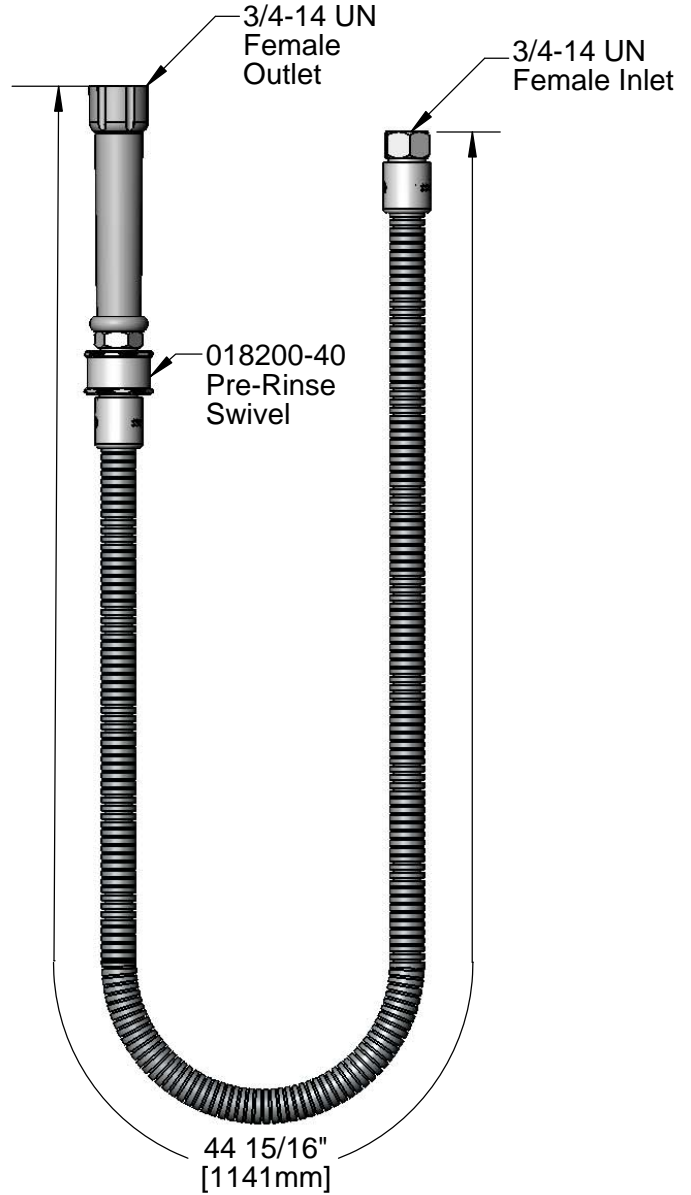
Job Name _____ Date _____

Model Specified _____ Quantity _____

Customer/Wholesaler _____

Contractor _____

Architect/Engineer _____



010476-45
Washers
(Included)

Product Specifications:
 44" Flexible Stainless Steel Hose w/ Inner Polyurethane Hose,
 Gray Handle & Pre-Rinse Swivel

Drawn

JRM

Checked

DMH

Approved

JHB

Scale:

1:4

Date:

12/17/13



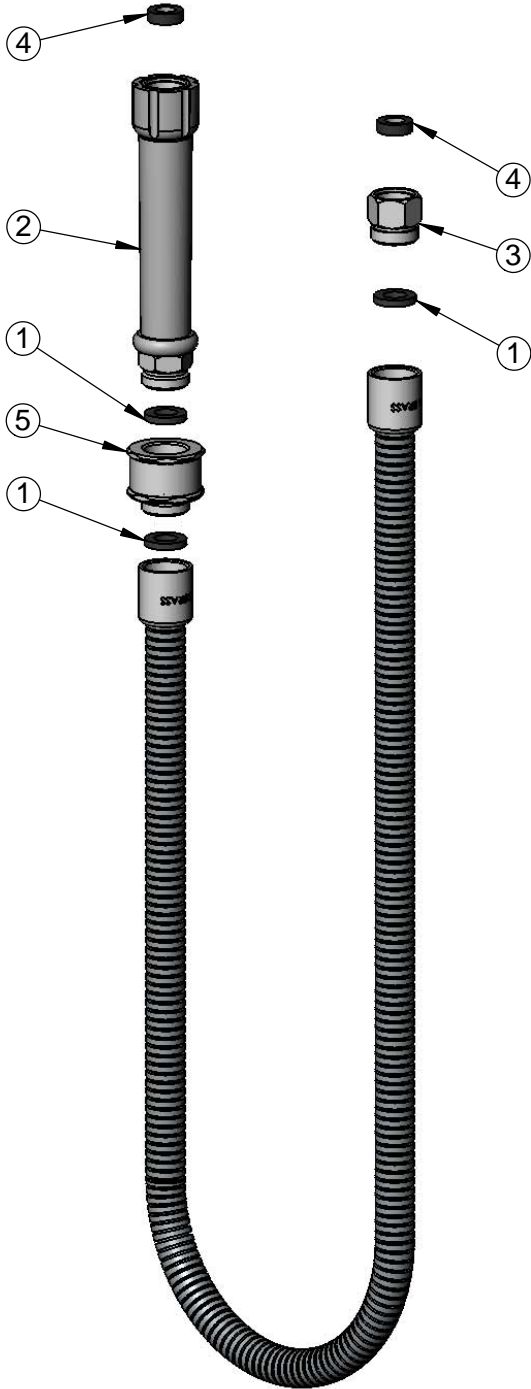
T&S BRASS AND BRONZE WORKS, INC.
 2 Saddleback Cove / P.O. Box 1088
 Travelers Rest, SC 29690

Model No.
B-0044-H-SWV

Item No.

Travelers Rest, SC: 800-476-4103 • Simi Valley, CA: 800-423-0150 • Fax: 864-834-3518 • www.tsbrass.com

ITEM NO.	SALES NO.	DESCRIPTION
1	001014-45	Washer, B-0100 Hose Barrel
2	002987-40	Gray Grip Handle
3	000729-40	Nut, 7/8"-20 Male x 3/4"-14 Female
4	010476-45	#27 Washer
5	018200-40	Pre-Rinse Swivel



Product Specifications:
 44" Flexible Stainless Steel Hose w/ Inner Polyurethane Hose,
 Gray Handle & Pre-Rinse Swivel

Drawn JRM	Checked DMH	Approved JHB
---------------------	-----------------------	------------------------

Scale: NTS	Date: 12/17/13
----------------------	--------------------------