



T&S BRASS AND BRONZE WORKS, INC.
 2 SADDLEBACK COVE / P.O. BOX 1088 / TRAVELERS REST, SC 29690
 PHONE 800-476-4103 FAX 864- 834-3518



Model No.

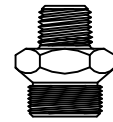
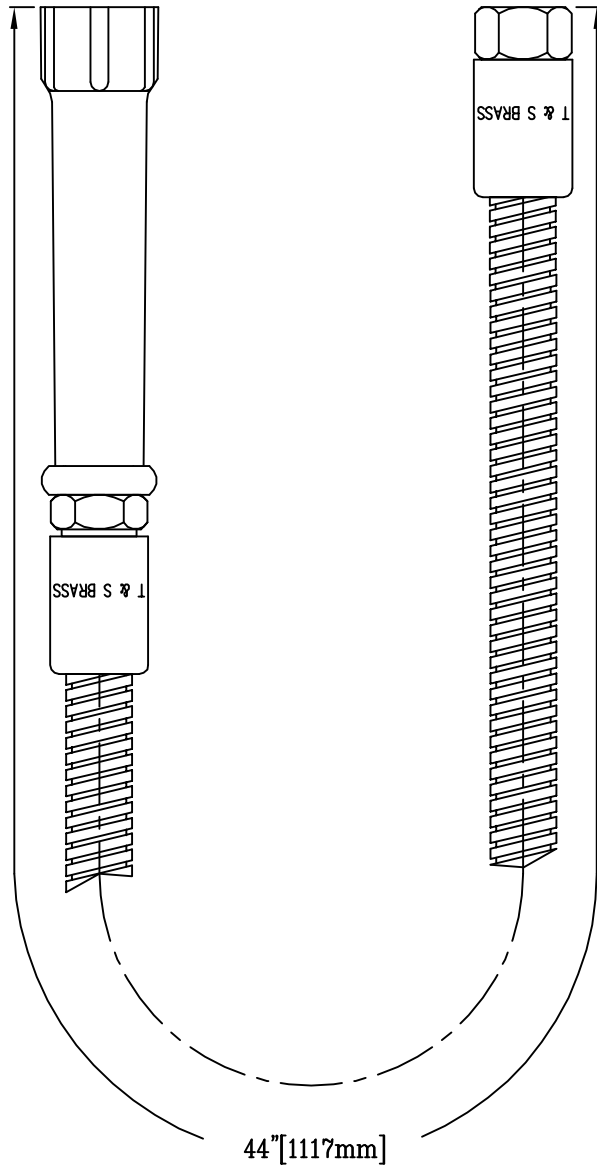
B-0044-H5

Item No.:

Job Name:

Architect/Engineer Approval:

Notes:



172A ADAPTER:
 1/4" NPT MALE x 3/4"-14 MALE



053A ADAPTER:
 3/8" NPT MALE x 3/4"-14 MALE

Product Description:

B-0044-H HOSE w/ 053A, 172A

Drawn:

WJS

Checked

JKD

Scale:

1 : 2

Approved

MVW

Date:

08-24-00