



T&S BRASS AND BRONZE WORKS, INC.
 2 Saddleback Cove / P.O. Box 1088
 Travelers Rest, SC 29690

Model No.
B-0044-V9

Item No.

Travelers Rest, SC: 800-476-4103 • Simi Valley, CA: 800-423-0150 • Fax: 864-834-3518 • www.tsbrass.com

This Space for Architect/Engineer Approval

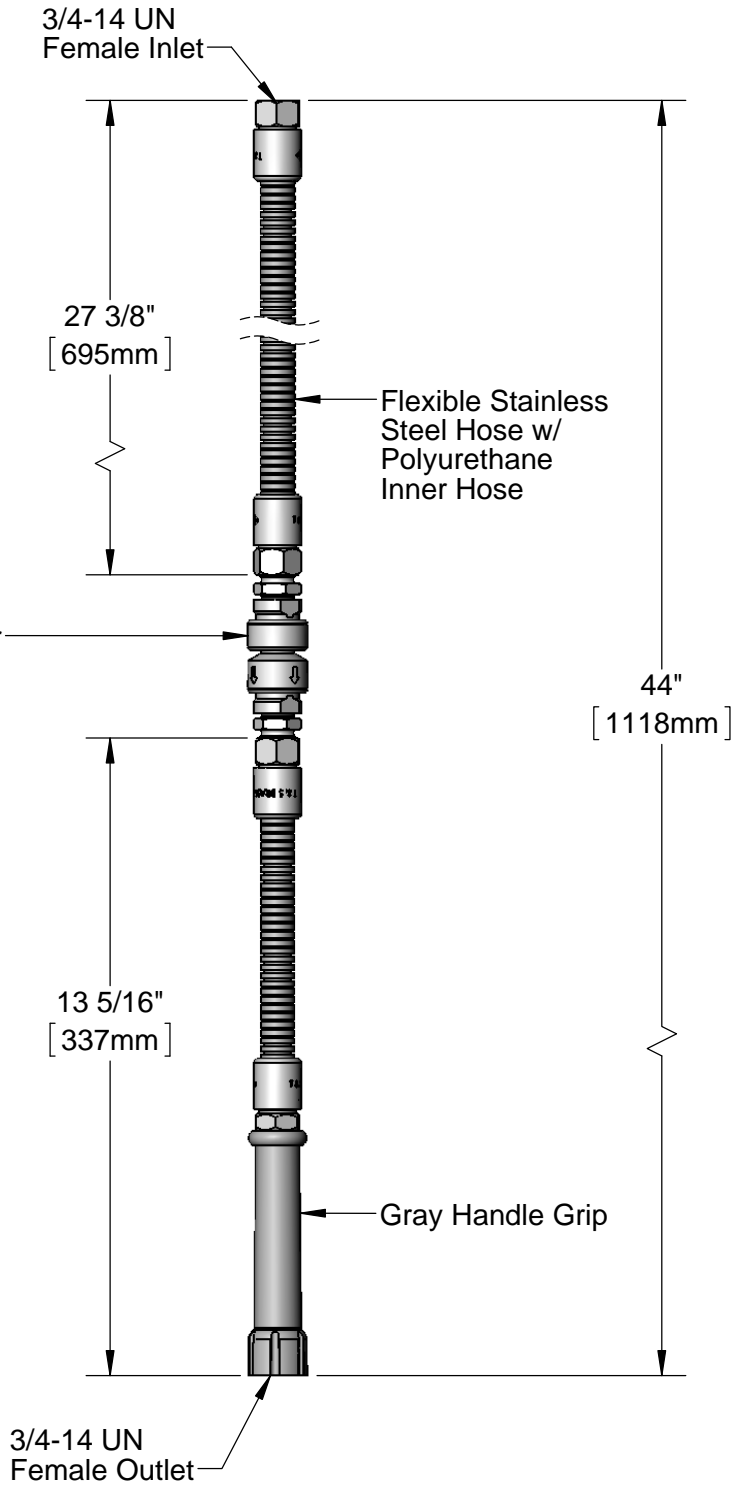
Job Name _____ Date _____


Model Specified _____ Quantity _____

Customer/Wholesaler _____

Contractor _____

Architect/Engineer _____




 (2) 010476-45 Washers (Included)

Product Specifications:
 44" Flexible Stainless Steel Hose w/ Inner Polyurethane Hose,
 B-0970-FE Continuous Pressure Vacuum Breaker & Gray Handle

Drawn DHL	Checked DMH	Approved JHB
Scale: 1:4		Date: 05/06/13