



T&S BRASS AND BRONZE WORKS, INC.  
 2 SADDLEBACK COVE / P.O. BOX 1088 / TRAVELERS REST, SC 29690  
 PHONE 800-476-4103 FAX 864- 834-3518



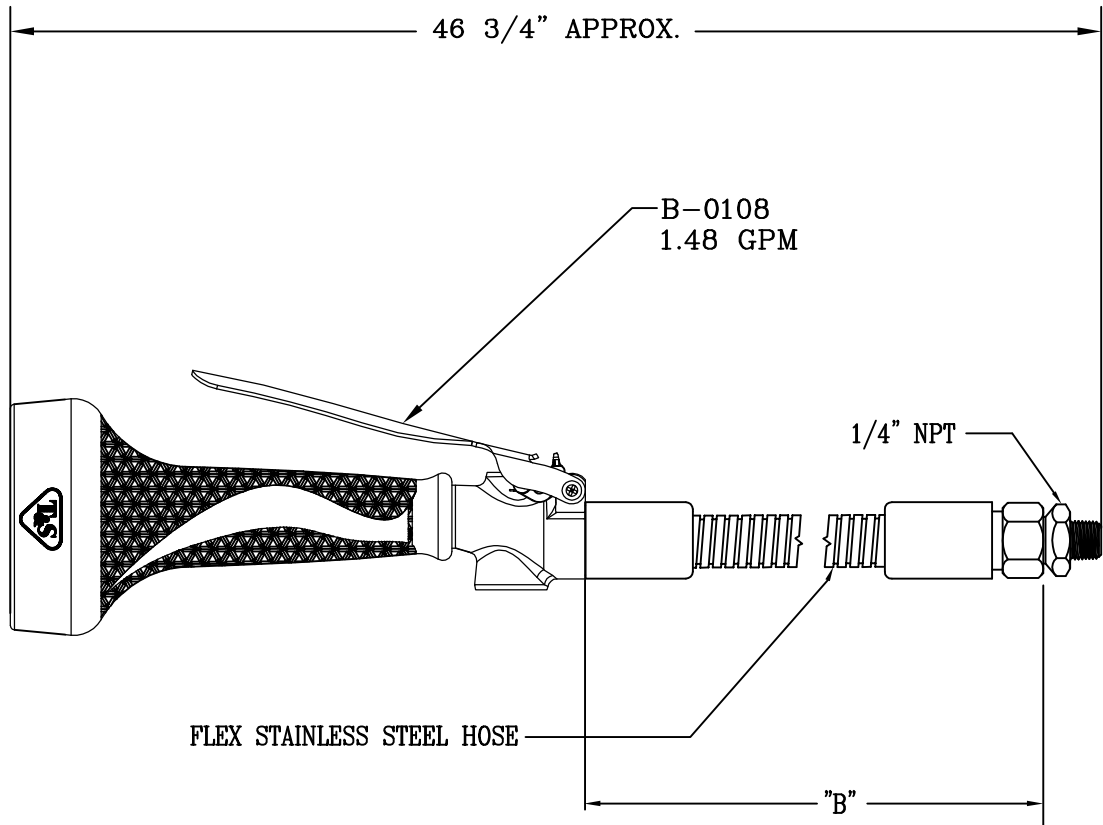
Model No.  
 B-0100-08-172A  
 Item No.:

Job Name:

Architect/Engineer Approval:

Notes:

EPAct2005 COMPLIANT



NOTE: "B" STANDARD LENGTH IS 38 1/2"  
 ANY LENGTH IS AVAILABLE

Product Description:  PRE-RINSE UNIT	Drawn: JRM	Checked DHL	Scale: 4.5"=1'
	Approved JHB		Date: 02/19/107