



T&S BRASS AND BRONZE WORKS, INC.
 2 SADDLEBACK COVE / P.O. BOX 1088 / TRAVELERS REST, SC 29690
 PHONE 800-476-4103 FAX 864- 834-3518



REG.#A2601
 ISO #9002

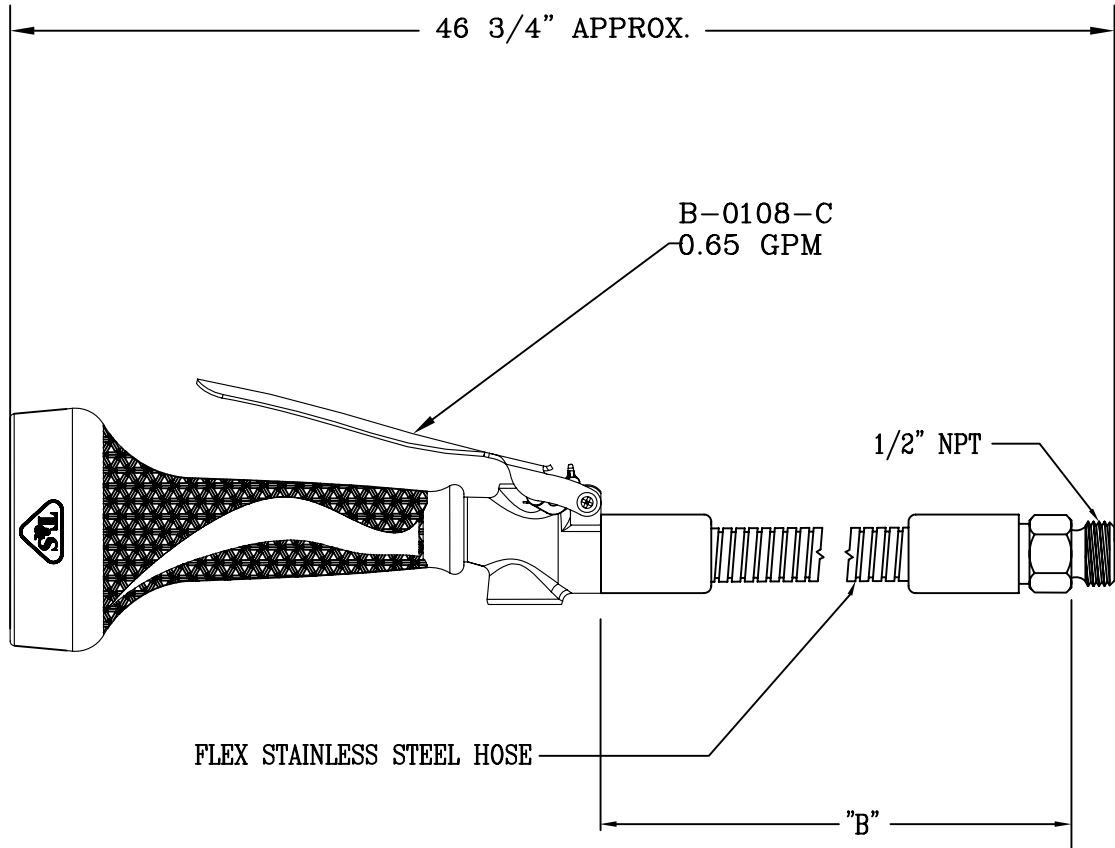
Model No.
 B-0100-08C
 Item No.:

Job Name:

Architect/Engineer Approval:

Notes:

EPAct2005 COMPLIANT



NOTE: "B" STANDARD LENGTH IS 38 1/2"
 ANY LENGTH IS AVAILABLE

Product Description:

PRE-RINSE UNIT

Drawn:

JRM

Approved

JHB

Checked

DMH

Scale:

NTS

Date:

12/04/09