



T&S BRASS AND BRONZE WORKS, INC.  
 2 SADDLEBACK COVE / P.O. BOX 1088 / TRAVELERS REST, SC 29690  
 PHONE 800-476-4103 FAX 864- 834-3518



Model No.

B-0100-UNIV

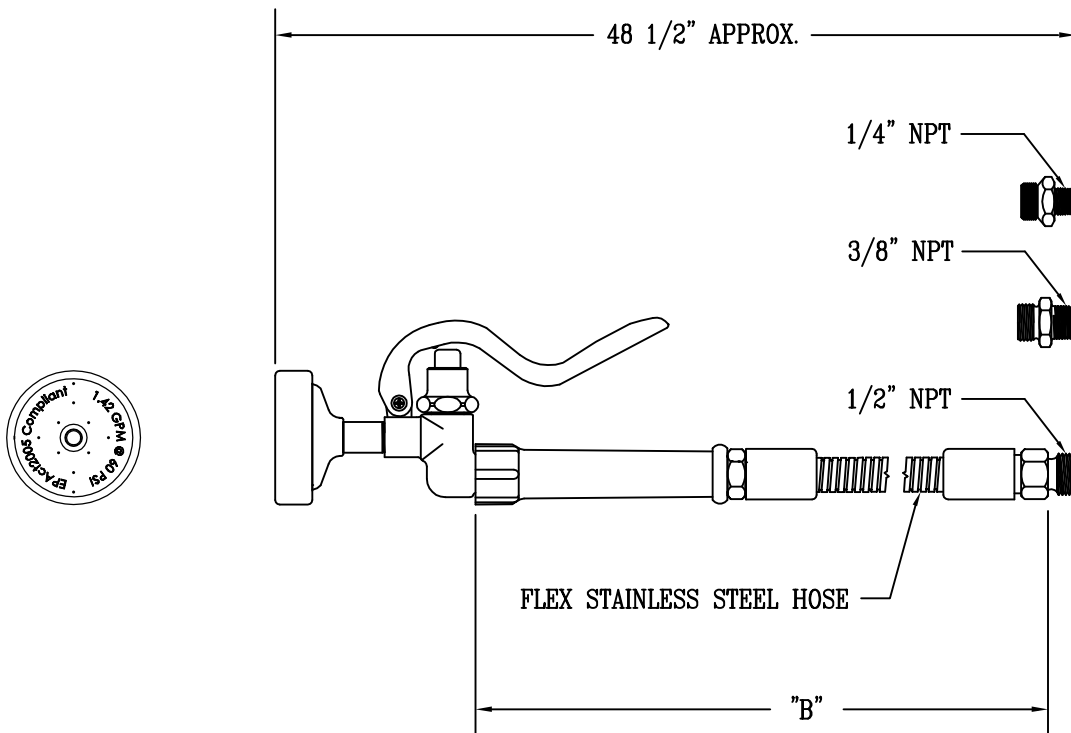
Item No.:

Job Name:

Architect/Engineer Approval:

Notes:

EPAAct2005 COMPLIANT



NOTE: "B" STANDARD LENGTH IS 44"  
 ANY LENGTH IS AVAILABLE

Product Description:  PRE-RINSE UNIT WITH UNIVERSAL ADAPTERS	Drawn: GEF	Checked JRM	Scale: 1 : 4
	Approved JHB		Date: 06/01/06