



T&S BRASS AND BRONZE WORKS, INC.
 2 Saddleback Cove / P.O. Box 1088
 Travelers Rest, SC 29690

Model No.

B-0101-BKF

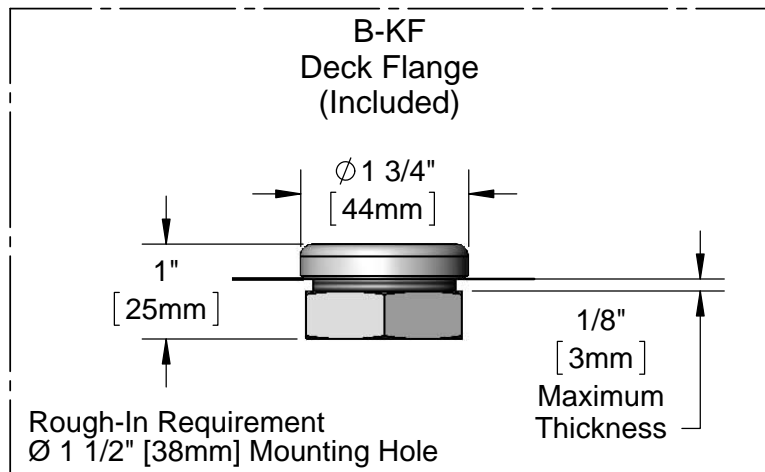
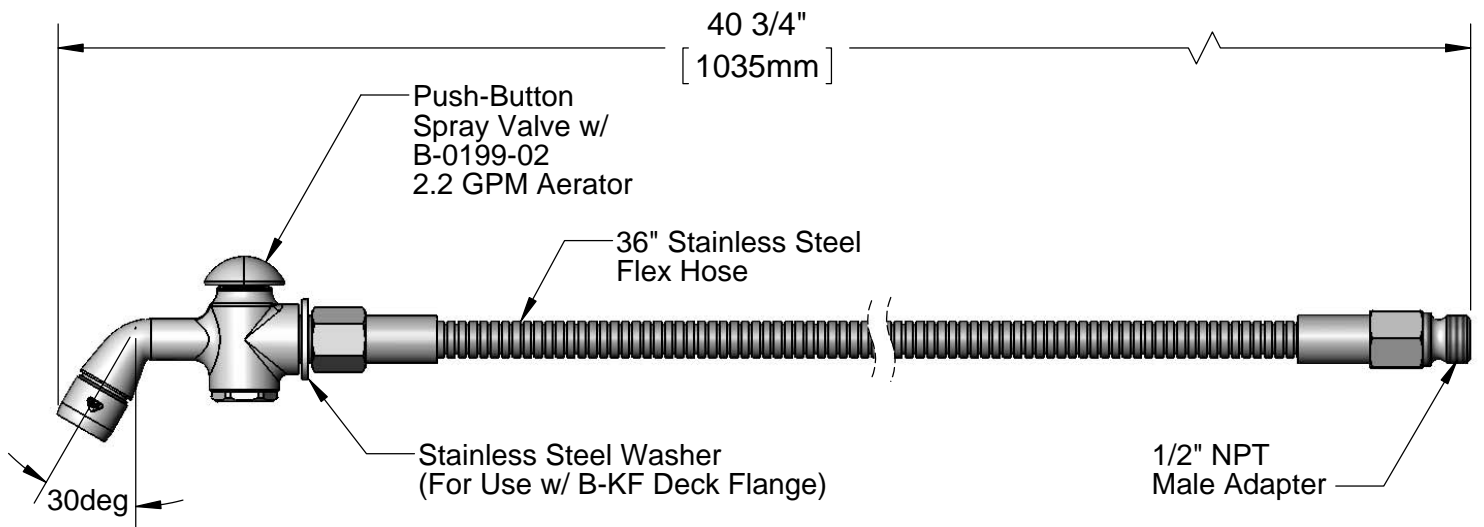
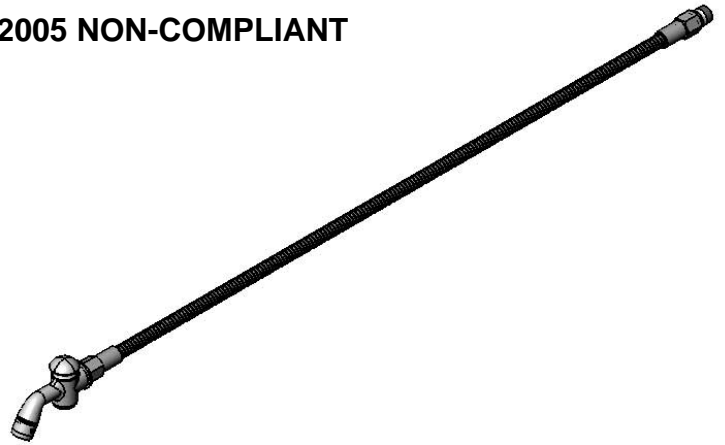
Item No.

Travelers Rest, SC: 800-476-4103 • Simi Valley, CA: 800-423-0150 • Fax: 864-834-3518 • www.tsbrass.com

This Space for Architect/Engineer Approval

Job Name _____ Date _____
 Model Specified _____ Quantity _____
 Customer/Wholesaler _____
 Contractor _____
 Architect/Engineer _____

EPAct2005 NON-COMPLIANT



Product Specifications:
 Push-Button Spray Valve w/ 2.2 GPM Aerator Outlet,
 36" Stainless Steel Flex Hose & B-KF Deck Flange

Drawn

DHL

Checked

DMH

Approved

JHB

Scale:

1:3

Date:

11/15/12



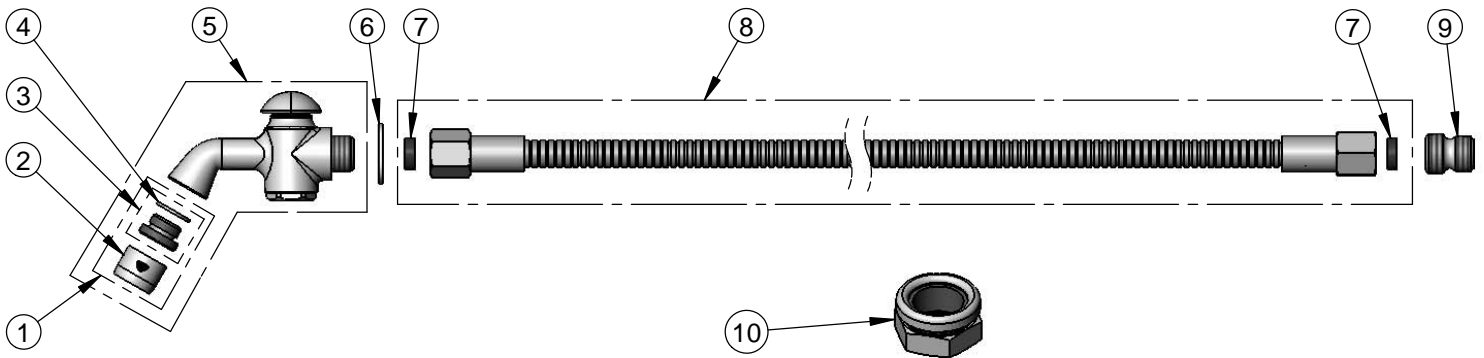
T&S BRASS AND BRONZE WORKS, INC.
 2 Saddleback Cove / P.O. Box 1088
 Travelers Rest, SC 29690

Model No.
B-0101-BKF

Item No.

Travelers Rest, SC: 800-476-4103 • Simi Valley, CA: 800-423-0150 • Fax: 864-834-3518 • www.tsbrass.com

ITEM NO.	SALES NO.	DESCRIPTION
1	B-0199-02	2.2 GPM Aerator, 3/8" NPSM Male
2	B-0199-01	2.2 GPM Aerator, Female
3	044A	3/8" to Aerator Adapter
4	001043-45	Washer
5	002858-40	Push-Button Spray Valve w/ 2.2 GPM Aerator
6	001010-40	Washer, Stainless Steel
7	010476-45	#27 Washer
8	013E-36H	36" Stainless Steel Flex Hose
9	055A	Adapter, 1/2 NPT Male
10	B-KF	Deck Flange



Product Specifications:
 Push-Button Spray Valve w/ 2.2 GPM Aerator Outlet,
 36" Stainless Steel Flex Hose & B-KF Deck Flange

Drawn DHL	Checked DMH	Approved JHB
Scale: NTS		Date: 11/15/12