



# T&S BRASS AND BRONZE WORKS, INC.

2 Saddleback Cove / P.O. Box 1088  
Travelers Rest, SC 29690



REG. #A2601  
ISO #9001

Model No.  
**B-0101**

Item No.

Travelers Rest, SC: 800-476-4103 Simi Valley, CA: 800-423-0150

This Space for Architect/Engineer Approval

Job Name \_\_\_\_\_ Date \_\_\_\_\_

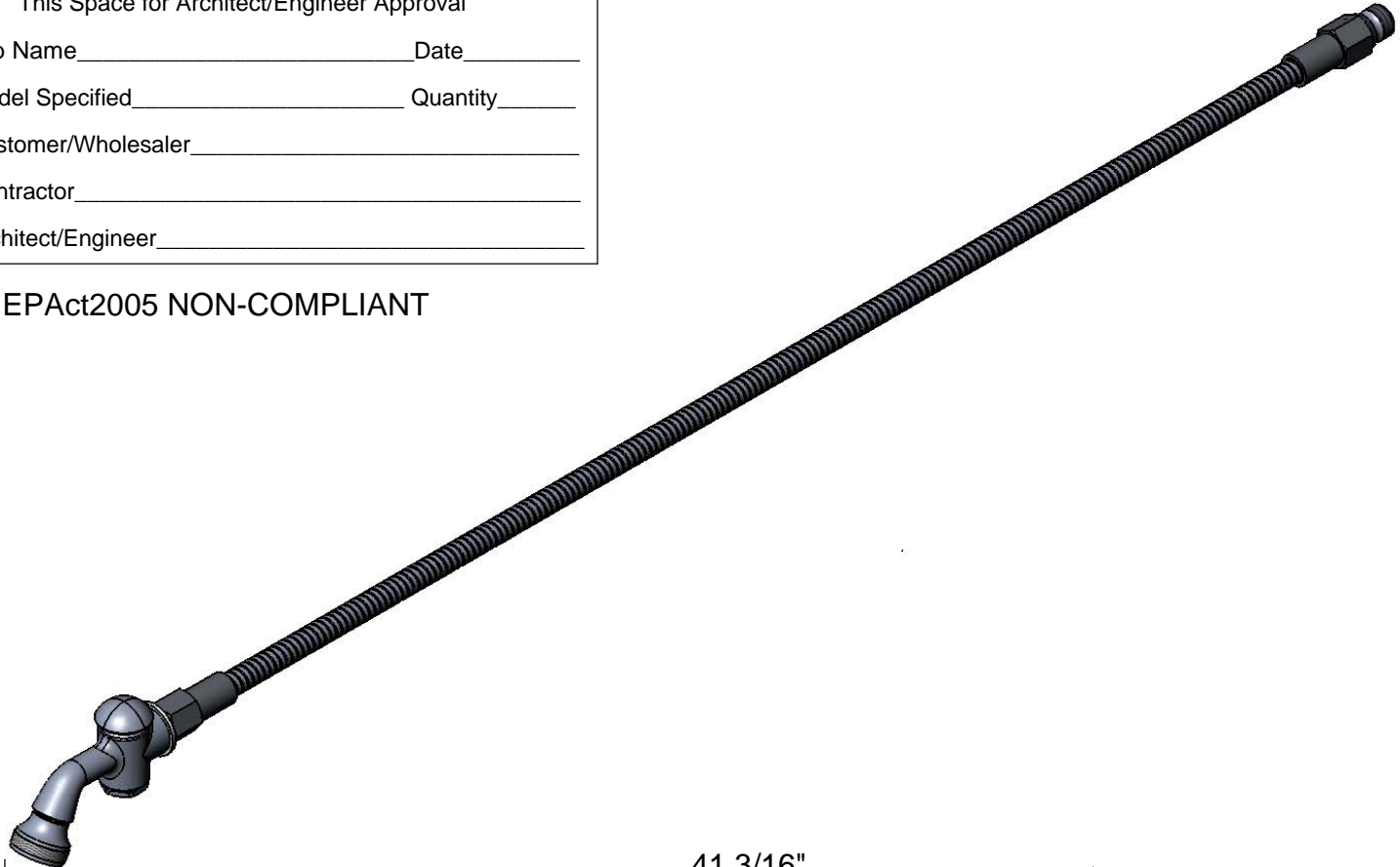
Model Specified \_\_\_\_\_ Quantity \_\_\_\_\_

Customer/Wholesaler \_\_\_\_\_

Contractor \_\_\_\_\_

Architect/Engineer \_\_\_\_\_

EPAAct2005 NON-COMPLIANT



41 3/16"  
[1046mm]

002857-40  
Spray Valve

013E-36H  
36" Flexible Stainless  
Steel Hose Assembly

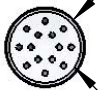
001010-40  
Stainless Steel Washer  
(Secures Spray Valve)

055A  
Adapter  
1/2" NPT Male

30°

Ø 1 1/4"  
[32mm]

Spray Face



Product Specifications:

Spray Valve w/ Rosespray Outlet & 36" Flexible  
Stainless Steel Hose Assembly

Drawn <b>DHL</b>	Checked <b>DMH</b>	Approved <b>JHB</b>
Scale: <b>NTS</b>		Date: <b>10/16/08</b>



# T&S BRASS AND BRONZE WORKS, INC.

2 Saddleback Cove / P.O. Box 1088  
Travelers Rest, SC 29690



REG. #A2601  
ISO #9001

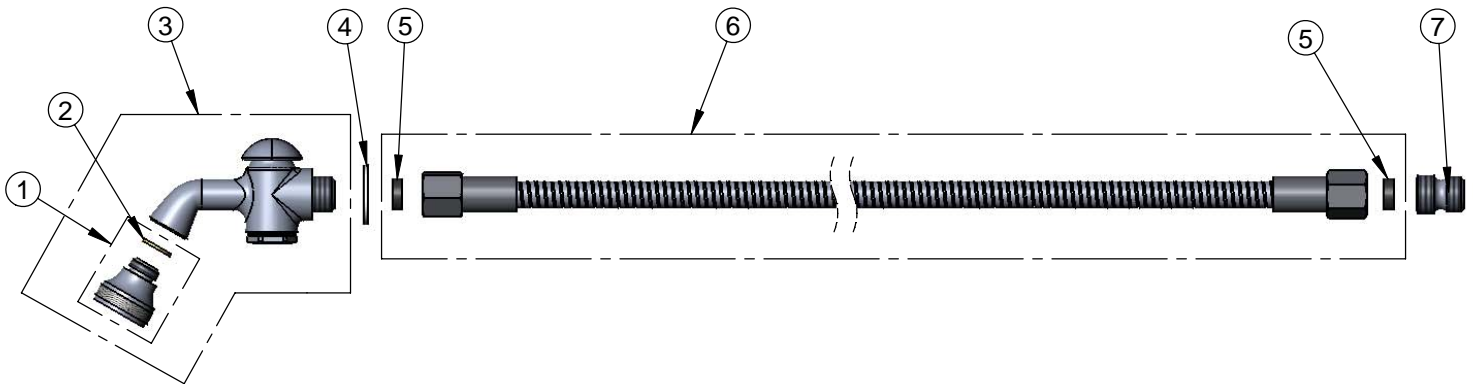
Model No.

**B-0101**

Item No.

Travelers Rest, SC: 800-476-4103 Simi Valley, CA: 800-423-0150 Fax: 864-834-3518 www.tsbrass.com

ITEM NO.	SALES NO.	DESCRIPTION
1	B-0103	Spray Head Assembly
2	001043-45	Washer
3	002857-40	Spray Valve Assembly w/ Rosespray Outlet
4	001010-40	Washer, Stainless Steel
5	010476-45	#27 Washer
6	013E-36H	Flex Stainless Steel Hose, 36"
7	055A	Adapter, 1/2 NPT Male



Product Specifications:

**Spray Valve w/ Rosespray Outlet & 36" Flexible  
Stainless Steel Hose Assembly**

Drawn

**DHL**

Checked

**DMH**

Approved

**JHB**

Scale:

**NTS**

Date:

**10/16/08**