



# T&S BRASS AND BRONZE WORKS, INC.

2 SADDLEBACK COVE / P.O. BOX 1088 / TRAVELERS REST, SC 29690

PHONE 800-476-4103

FAX 864- 834-3518



REG.#A2601  
ISO #9002

Model No.

B-0103-F SERIES

Item No.:

Job Name:

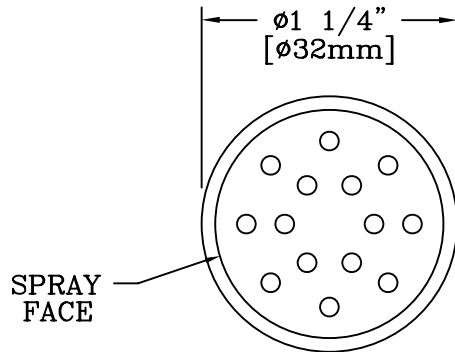
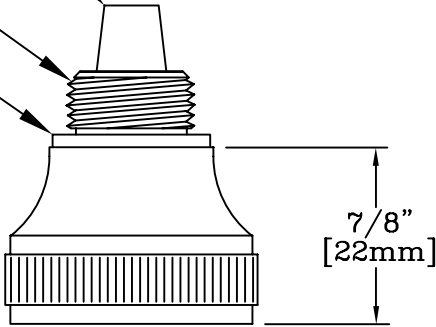
Architect/Engineer Approval:

Notes:

FLOW TOWER &  
HOLDER ASSEMBLY

3/8"-18 NPSM  
MALE THREAD

WASHER



NOTE: SELECT FLOW CONTROL DESIRED THEN ADD SUFFIX TO MODEL NO.

| FLOW (GPM±15%) | SUFFIX | SPECIFY    |
|----------------|--------|------------|
| 0.25           | -03    | B-0103-F03 |
| 0.40           | -05    | B-0103-F05 |
| 0.70           | -07    | B-0103-F07 |
| 0.90           | -10    | B-0103-F10 |
| 1.20           | -12    | B-0103-F12 |
| 1.40           | -15    | B-0103-F15 |
| 2.00           | -20    | B-0103-F20 |

Product Description:

ROSE SPRAY w/ FLOW TOWER & HOLDER ASSEMBLY

Drawn:

KJG

Checked

DMH

Scale:

1' = 1'

Approved

JHB

Date:

02/02/09