

T&S BRASS AND BRONZE WORKS, INC.
 2 Saddleback Cove / P.O. Box 1088
 Travelers Rest, SC 29690

Model No.
B-0104

Item No.

Travelers Rest, SC: 800-476-4103 • Simi Valley, CA: 800-423-0150 • Fax: 864-834-3518 • www.tsbrass.com

This Space for Architect/Engineer Approval

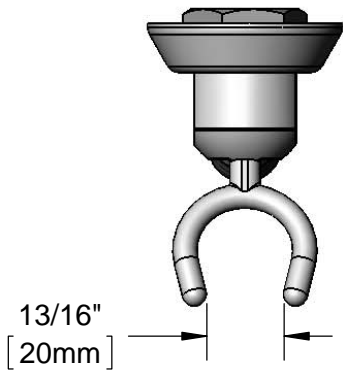
Job Name _____ Date _____

Model Specified _____ Quantity _____

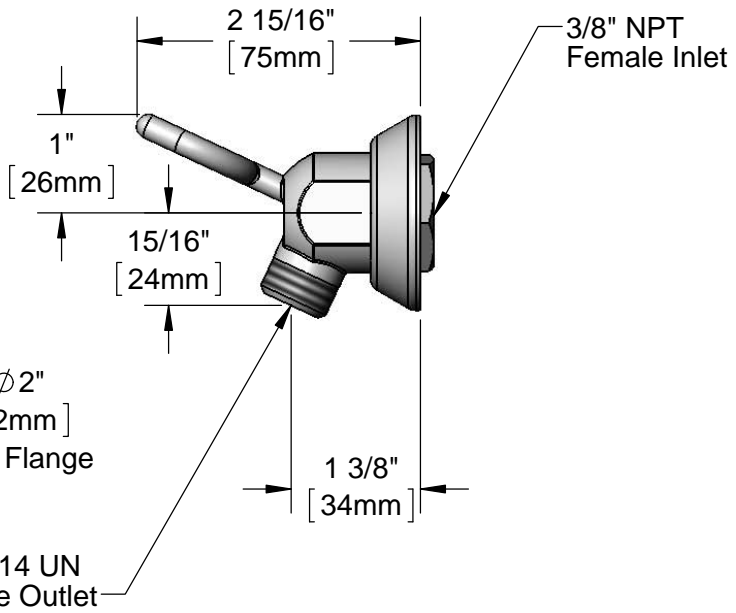
Customer/Wholesaler _____

Contractor _____

Architect/Engineer _____



Hook to Hold
 Head of Hose
 Units When
 Not in Use



Product Specifications:
 3/4-14 UN Wall Hook Outlet - Chrome Polished

Drawn DHL	Checked DMH	Approved JHB
Scale: 1:2		Date: 11/15/12