



T&S BRASS AND BRONZE WORKS, INC.

2 Saddleback Cove / P.O. Box 1088
Travelers Rest, SC 29690



REG. #A2601
ISO #9001

Model No.

B-0107-035

Item No.

Travelers Rest, SC: 800-476-4103 • Simi Valley, CA: 800-423-0150 • Fax: 864-834-3518 • www.tsbrass.com

This Space for Architect/Engineer Approval

Job Name _____ Date _____

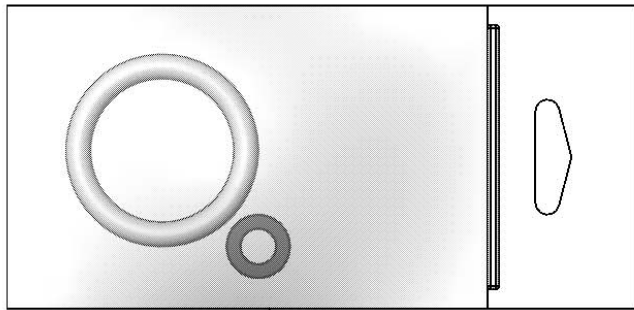
Model Specified _____ Quantity _____

Customer/Wholesaler _____

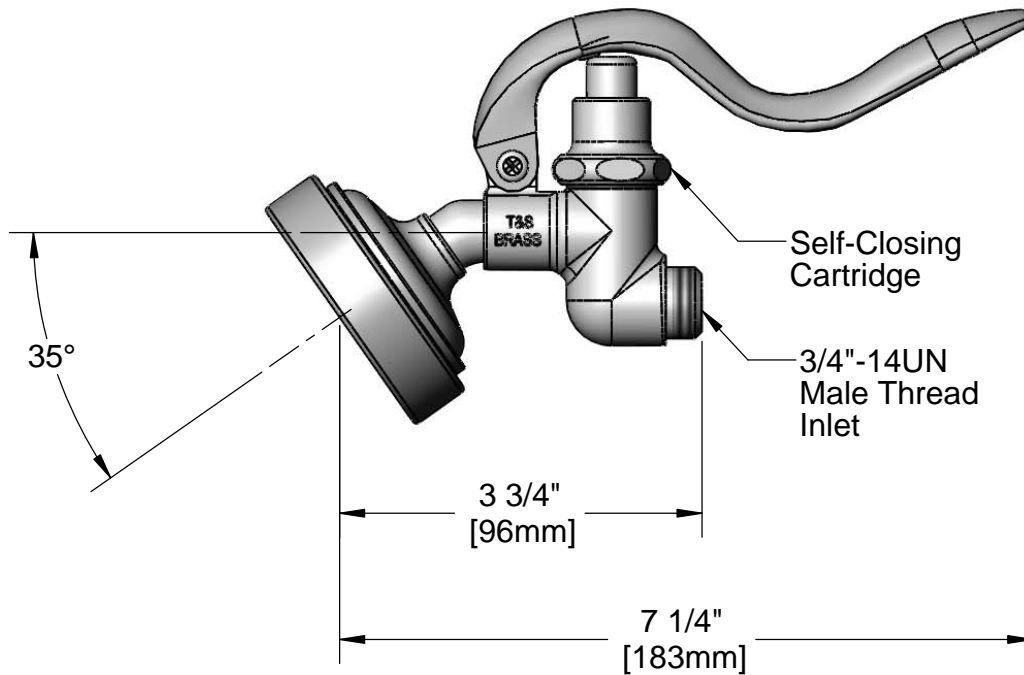
Contractor _____

Architect/Engineer _____

EPAct 2005 Compliant



Hold Down Ring w/ Hose Washer



Product Specifications:
Self-Closing Pre-Rinse Angled Spray Valve
w/ Rubber Bumper & 1.42 GPM Flow Control
Spray Face

Drawn

DHL

Checked

KJG

Approved

JHB

Scale:

1:2

Date:

06/14/11



T&S BRASS AND BRONZE WORKS, INC.

2 Saddleback Cove / P.O. Box 1088
Travelers Rest, SC 29690



REG. #A2601
ISO #9001

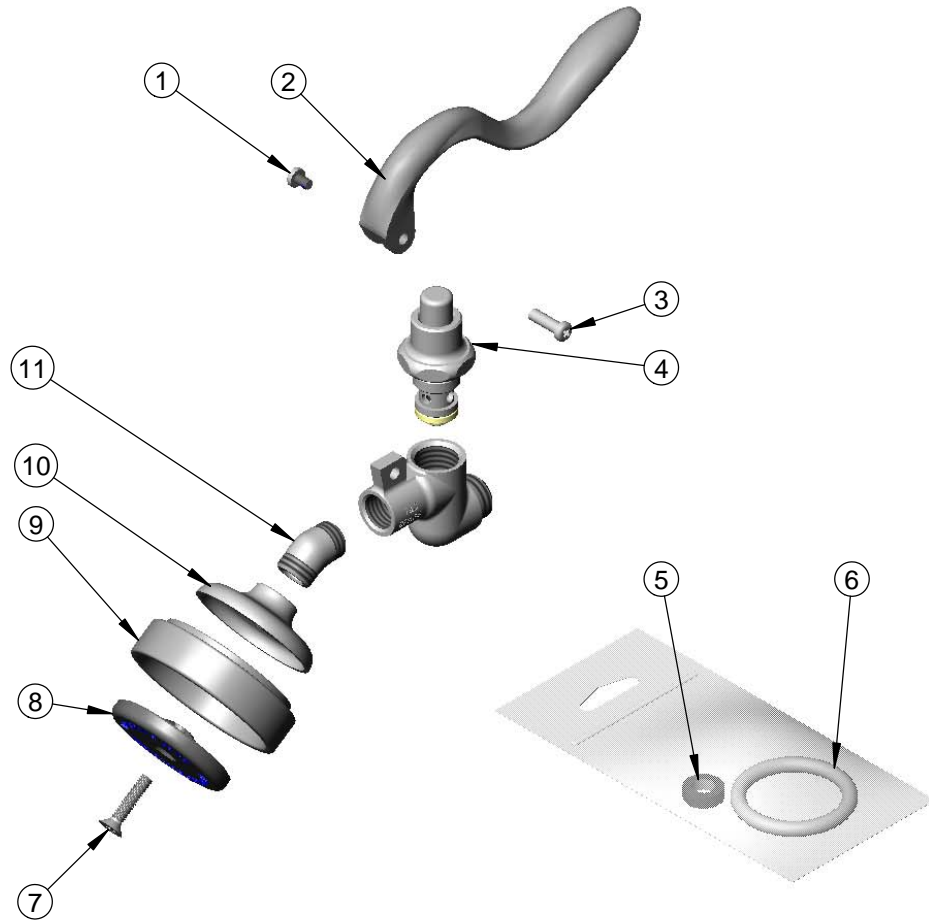
Model No.

B-0107-035

Item No.

Travelers Rest, SC: 800-476-4103 Simi Valley, CA: 800-423-0150 Fax: 864-834-3518 www.tsbrass.com

ITEM NO.	SALES NO.	DESCRIPTION
1	003199-45	Handle Screw, Spray Valve
2	001120-45	Spray Valve Handle
3	003198-45	Handle Nut, Spray Valve
4	002856-40	Bonnet Asm, Spray Valve
5	010476-45	#27 Washer
6	000907-45	Ring, Spray Valve Hold Down
7	000913-45	Screw
8	001121-45	Spray Face, B-0107
9	007861-45	Sprayhead Ring, B-0107
10	000019-40	Spray Valve Cup
11	0032	35° Elbow 5/8-27UN Male x Male Plated



Product Specifications:

Self-Closing Pre-Rinse Angled Spray Valve
w/ Rubber Bumper & 1.42 GPM Flow Control
Spray Face

Drawn
DHL

Checked
KJG

Approved
JHB

Scale:
NTS

Date:
06/14/11