



T&S BRASS AND BRONZE WORKS, INC.

2 Saddleback Cove / P.O. Box 1088
Travelers Rest, SC 29690



REG. #A2601
ISO #9001

Model No.

B-0113-079X-V-B

Item No.

Travelers Rest, SC: 800-476-4103 Simi Valley, CA: 800-423-0150 Fax: 864-834-3518 www.tsbrass.com

This Space for Architect/Engineer Approval

Job Name _____ Date _____

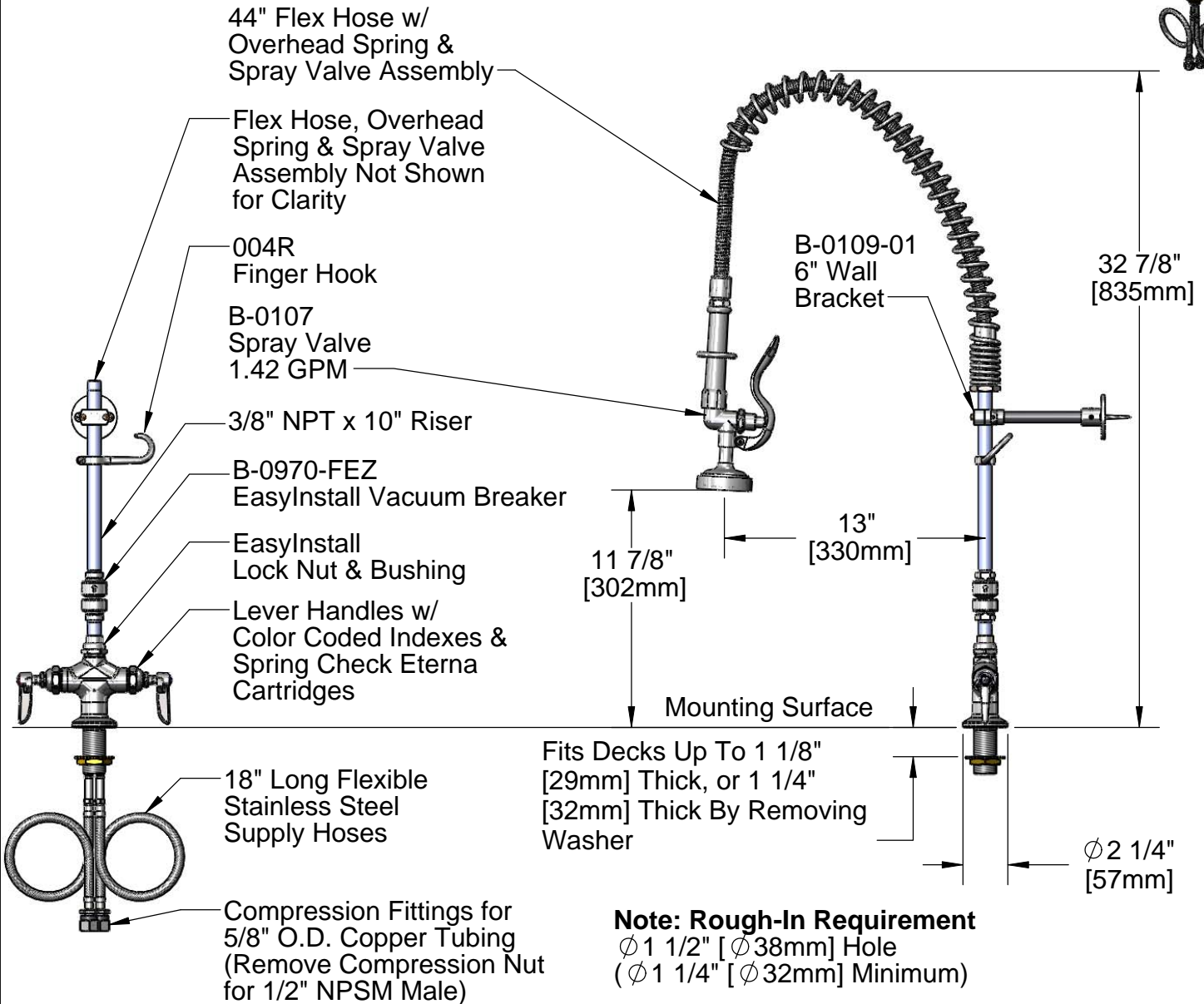
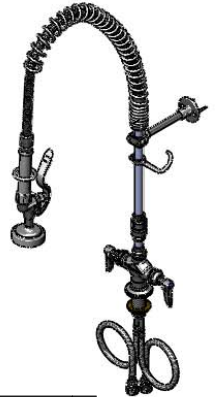
Model Specified _____ Quantity _____

Customer/Wholesaler _____

Contractor _____

Architect/Engineer _____

EPAct 2005 Compliant



Product Specifications:

EasyInstall Pre-Rinse Unit:
Single Deck Mount Base Mixing Faucet, Flexible Supply Hoses, 10" Riser, Overhead Spring, 44" Flex Hose, B-0107 Spray Valve, B-0970-FEZ Vacuum Breaker & 6" Wall Bracket

Drawn KJG	Checked DMH	Approved JHB
Scale: 1:8		Date: 06/01/10



T&S BRASS AND BRONZE WORKS, INC.

2 Saddleback Cove / P.O. Box 1088
Travelers Rest, SC 29690



REG. #A2601
ISO #9001

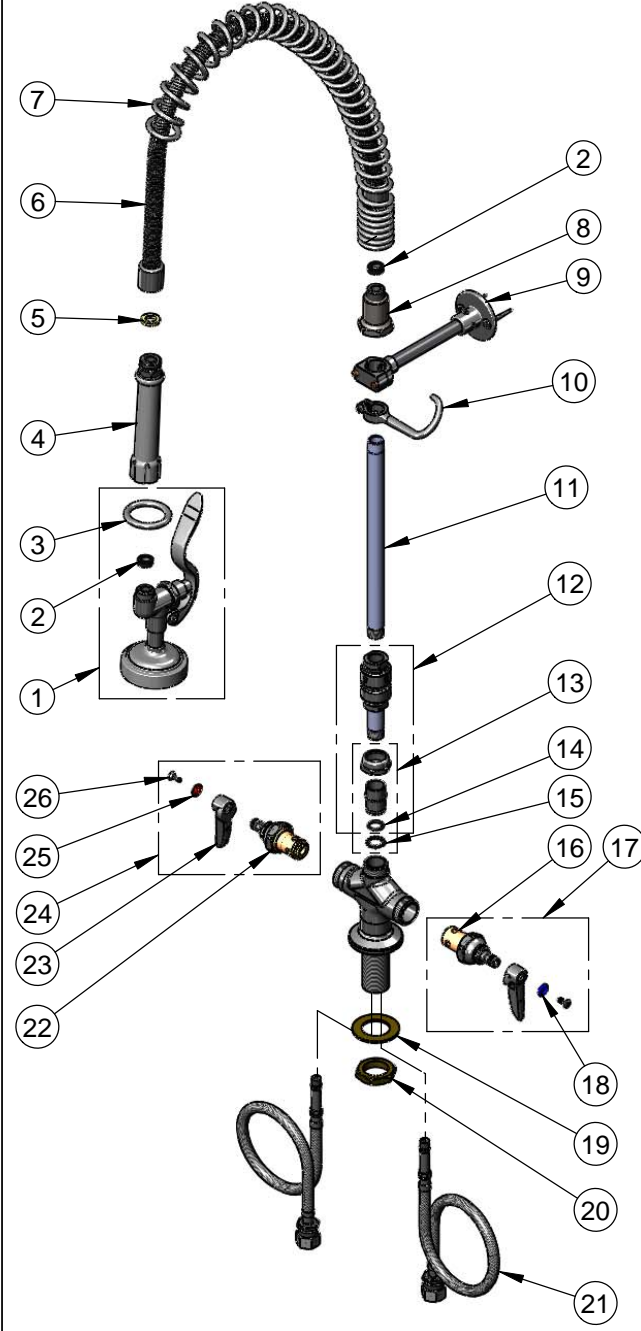
Model No.

B-0113-079X-V-B

Item No.

Travelers Rest, SC: 800-476-4103 Simi Valley, CA: 800-423-0150 Fax: 864-834-3518 www.tsbrass.com

ITEM NO.	SALES NO.	DESCRIPTION
1	B-0107	Spray Valve Asm
2	010476-45	#27 Washer
3	000907-45	Spray Valve Hold Down Ring
4	002987-40	Grip Handle Assembly
5	001014-45	Washer, B-0100 Hose Barrel
6	B-0044-H2A	44" Flex Hose Assembly, Less Handle
7	000888-45	EasyInstall Overhead Spring
8	000821-40	Spring Body
9	B-0109-01	6" Wall Bracket Assembly
10	004R	Finger Hook Assembly
11	079X	3/8" NPT x 10" Long Riser
12	B-0970-FE	B-0970 FE Vacuum Breaker
13	EZ-K	EasyInstall Kit: Busshing, O-Ring, Lock Washer & Loctite 222
14	001065-45	O-Ring
15	014200-45	Star Washer, Anti-Rotation
16	012442-40	Cold Eterna Spindle Assembly w/ Spring Check
17	002711-40	Cold Eterna Spindle Assembly w/ Spring Check, Handle, Index & Screw
18	001660-45	Blue Index-CW
19	002290-45	Lock Washer
20	000965-45	Lock Nut
21	012534-45	Flexible Connector Hose (2)
22	012443-40	Hot Eterna Spindle Assembly w/ Spring Check
23	001638-45	Lever Handle
24	002712-40	Hot Eterna Spindle Assembly w/ Spring Check, Handle, Index & Screw
25	001661-45	Red Index-HW
26	000922-45	Lever Handle Screw



Product Specifications:
EasyInstall Pre-Rinse Unit:
 Single Deck Mount Base Mixing Faucet, Flexible Supply Hoses,
 10" Riser, Overhead Spring, 44" Flex Hose, B-0107 Spray Valve,
 B-0970-FEZ Vacuum Breaker & 6" Wall Bracket

Drawn KJG	Checked DMH	Approved JHB
Scale: 1:24		Date: 06/01/10