



T&S BRASS AND BRONZE WORKS, INC.

2 Saddleback Cove / P.O. Box 1088
Travelers Rest, SC 29690



REG. #A2601
ISO #9001

Model No.

B-0113-A12B-TEE

Item No.

Travelers Rest, SC: 800-476-4103 • Simi Valley, CA: 800-423-0150 • Fax: 864-834-3518 • www.tsbrass.com

This Space for Architect/Engineer Approval

Job Name _____ Date _____

Model Specified _____ Quantity _____

Customer/Wholesaler _____

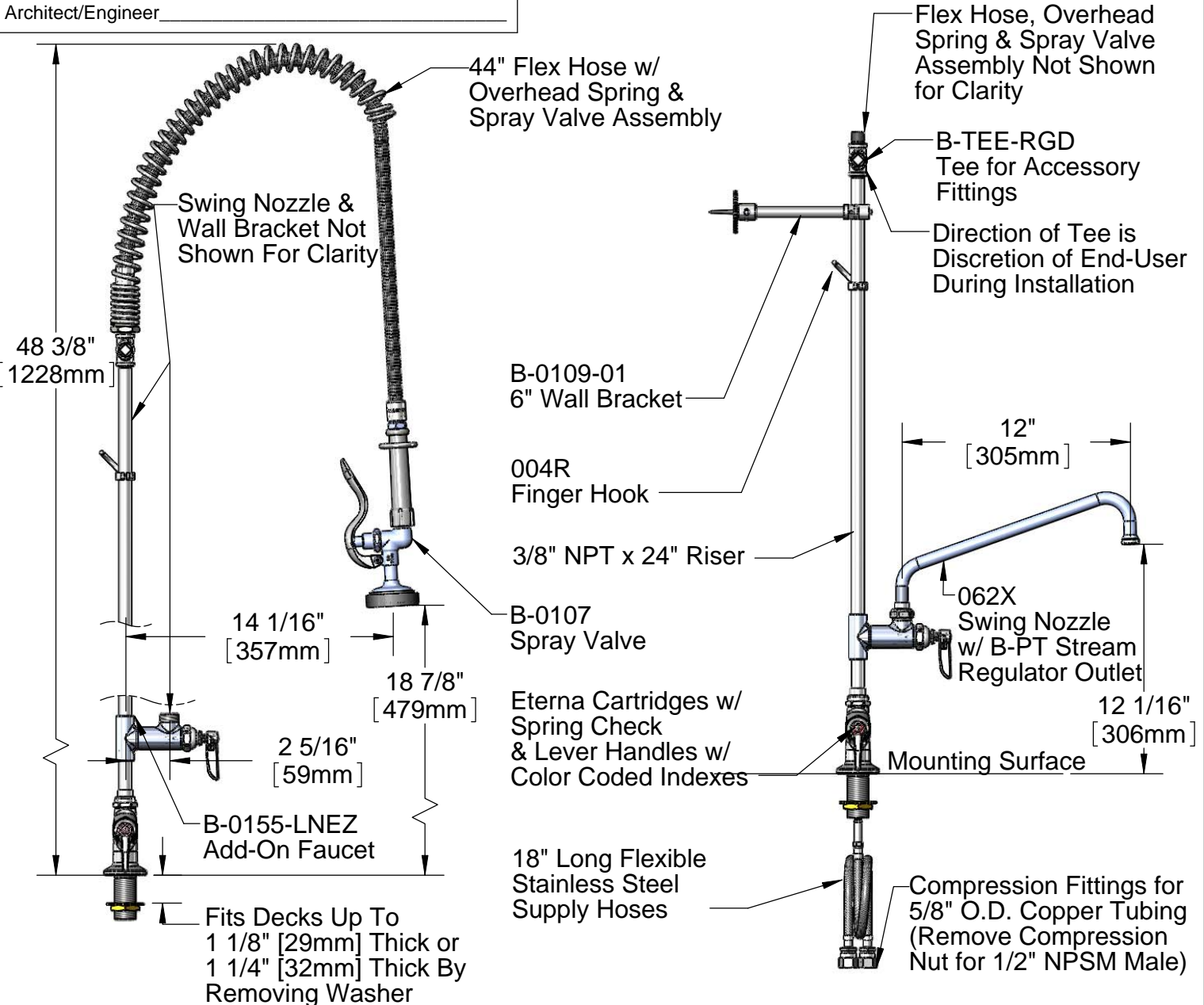
Contractor _____

Architect/Engineer _____

EPAct 2005 Compliant

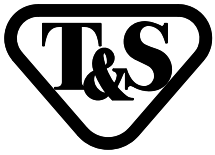
Note: Rough-In Requirement

Ø 1 1/2" [Ø 38mm] Hole
(Ø 1 1/4" [Ø 32mm] Minimum)



Product Specifications:
EasyInstall Pre-Rinse Unit:
Single Deck Mount Base Mixing Faucet, Flexible Supply Hoses,
Overhead Spring, 44" Flex Hose, B-0107
Spray Valve, Accessory Fitting Tee & Wall Bracket

Drawn	Checked	Approved
JRM	DMH	JHB
Scale:	Date:	
1:8	05/05/11	



T&S BRASS AND BRONZE WORKS, INC.

2 Saddleback Cove / P.O. Box 1088
Travelers Rest, SC 29690



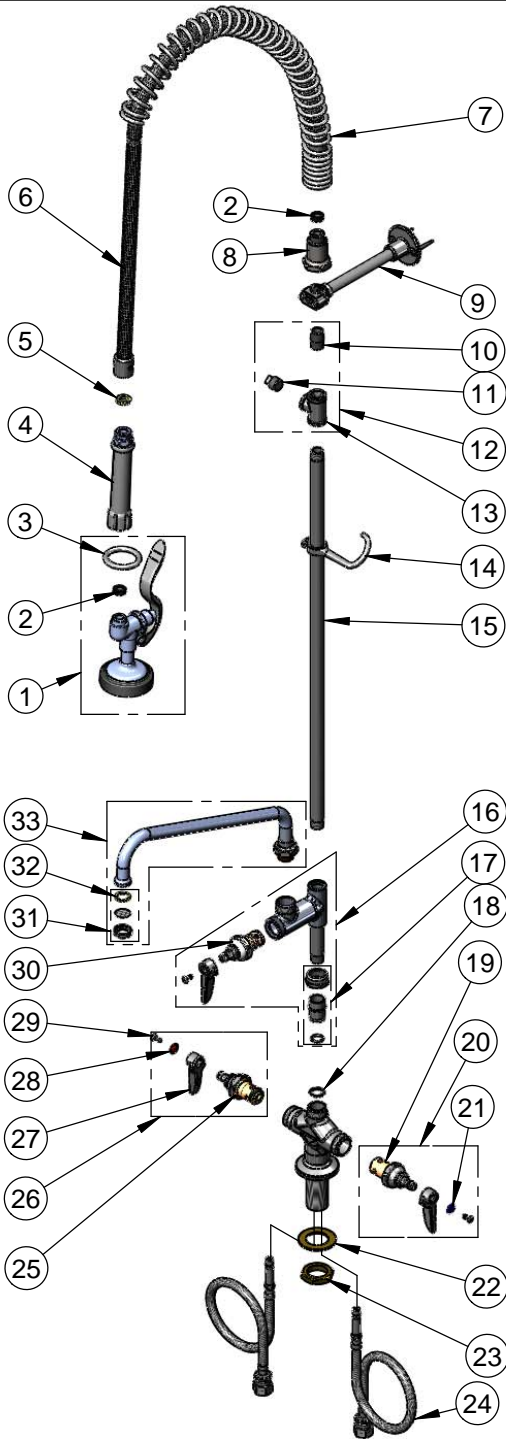
REG. #A2601
ISO #9001

Model No.

B-0113-A12B-TEE

Item No.

Travelers Rest, SC: 800-476-4103 • Simi Valley, CA: 800-423-0150 • Fax: 864-834-3518 • www.tsbrass.com



ITEM NO.	SALES NO.	DESCRIPTION
1	B-0107	Spray Valve w/ Hold Down Ring & Washer
2	010476-45	#27 Washer
3	000907-45	Spray Valve Hold Down Ring
4	002987-40	Grip Handle Assembly
5	001014-45	Washer, B-0100 Hose Barrel
6	B-0044-H2A	Stainless Steel Flex Hose
7	000888-45	EasyInstall Overhead Spring
8	000821-40	Spring Body
9	B-0109-01	6" Wall Bracket
10	002535-25	3/8" Close Nipple
11	002369-25	3/8" NPT Plug
12	B-TEE-RGD	Rigid Tee Assembly
13	001614-40	3/8" NPT Tee
14	004R	Finger Hook Assembly
15	000372-40	3/8" NPT x 24" Long Riser
16	B-0155-LNEZ	B-0155 Add-On Faucet
17	EZ-K	EasyInstall Kit: Bushing, O-Ring, Lock Washer & LocTite 222
18	014200-45	Star Washer, Anti-Rotation
19	012442-40	Cold Eterna Cartridge (LTC) w/ Spring Check
20	002711-40	Cold Eterna Cartridge (LTC) w/ Spring Check, Handle, Index, & Screw
21	001660-45	Blue Index-CW
22	002290-45	Lock Washer
23	000965-45	Lock Nut
24	012534-45	Flexible Connector Hose (2)
25	012443-40	Hot Eterna Cartridge (RTC) w/ Spring Check
26	002712-40	Hot Eterna Cartridge (RTC) w/ Spring Check, Handle, Index, & Screw
27	001638-45	Lever Handle
28	001661-45	Red Index-HW
29	000922-45	Lever Handle Screw
30	007947-40	Quarter Turn Eterna Cartridge
31	B-PT	Stream Regulator Outlet
32	001048-45	Nozzle Tip Washer
33	062X	12" Swing Nozzle

Product Specifications:

EasyInstall Pre-Rinse Unit:
Single Deck Mount Base Mixing Faucet, Flexible Supply Hoses,
Overhead Spring, 44" Flex Hose, B-0107
Spray Valve, Accessory Fitting Tee & Wall Bracket

Drawn	Checked	Approved
JRM	DMH	JHB
Scale:	Date:	
NTS	05/05/11	