



T&S BRASS AND BRONZE WORKS, INC.
 2 Saddleback Cove / P.O. Box 1088
 Travelers Rest, SC 29690

Model No.
B-0113-B

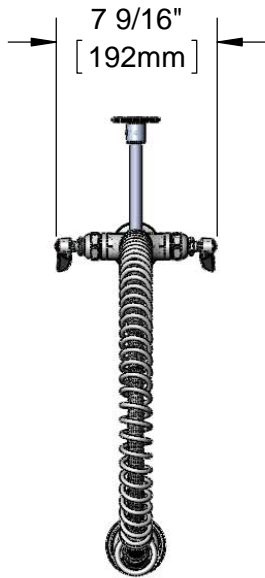
Item No.

Travelers Rest, SC: 800-476-4103 • Simi Valley, CA: 800-423-0150 • Fax: 864-834-3518 • www.tsbrass.com

EPAct 2005 Compliant

This Space for Architect/Engineer Approval

Job Name _____ Date _____
 Model Specified _____ Quantity _____
 Customer/Wholesaler _____
 Contractor _____
 Architect/Engineer _____



44" Flex Hose w/
 Overhead Spring &
 Spray Valve

B-0109-01
 6" Wall
 Bracket

Items Not Shown
 For Clarity
 Finger Hook
 3/8" NPT x 24" Riser
 B-0107
 Spray Valve
 1.42 GPM

EasyInstall
 Lock Nut & Bushing
 Eterna Cartridges w/
 Spring Checks &
 Lever Handles w/
 Color Coded Indexes

Mounting Surface

42 1/8"
 [1070mm]

14 1/16"
 [357mm]

12 5/8"
 [321mm]

18" Flexible
 Stainless Steel
 Supply Hoses

Compression Fittings
 for 5/8" O.D. Copper Tubing
 (Remove Compression Nut
 for 1/2" NPSM Male)

1 3/8"
 [35mm]
 Maximum
 Thickness

Ø2 1/4"
 [57mm]

Rough-In Requirement:
 Ø1 1/2" [38mm] Mounting Hole

Product Specifications:
EasyInstall Pre-Rinse Unit:
 Single Deck Mount Base Mixing Faucet, Eterna Cartridges, 24" Riser,
 6" Wall Bracket, Overhead Spring, 44" Flexible Stainless Steel Hose
 w/ B-0107 Spray Valve & (2) 18" Flexible Supply Hoses

Drawn DHL	Checked DMH	Approved JHB
Scale: 1:9		Date: 02/11/13

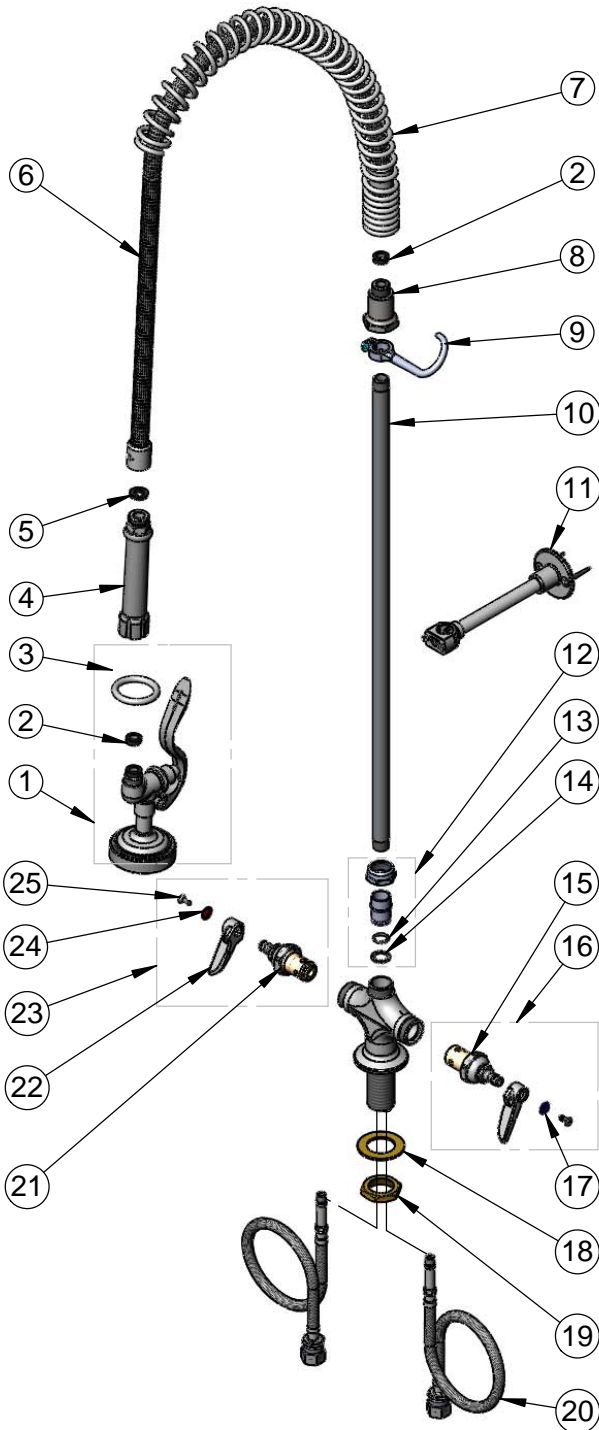


T&S BRASS AND BRONZE WORKS, INC.
 2 Saddleback Cove / P.O. Box 1088
 Travelers Rest, SC 29690

Model No.
B-0113-B

Item No.

Travelers Rest, SC: 800-476-4103 • Simi Valley, CA: 800-423-0150 • Fax: 864-834-3518 • www.tsbrass.com



ITEM NO.	SALES NO.	DESCRIPTION
1	B-0107	Grey Spray Valve
2	010476-45	#27 Washer
3	000907-45	Spray Valve Hold Down Ring
4	002987-40	Grey Grip Handle
5	001014-45	Washer, B-0100 Hose Barrel
6	B-0044-H2A	44" Flexible Stainless Steel Hose, Less Handle
7	000888-45	EasyInstall Overhead Spring
8	000821-40	Spring Body
9	004R	Finger Hook
10	000372-40	3/8" NPT x 24" Long Riser
11	B-0109-01	6" Wall Bracket
12	EZ-K	EasyInstall Kit: Nut, Bushing, O-ring & Lock Washer
13	001065-45	O-Ring
14	014200-45	Star Washer, Anti-Rotation
15	012442-40	Eterna Cartridge, LTC w/ Spring Check
16	002711-40	Eterna Cartridge LTC w/ Spring Check, Handle, Index & Screw
17	001660-45	Blue Index-CW
18	002290-45	Lock Washer
19	000965-45	Lock Nut
20	012534-45	Flexible Connector Hose (2)
21	012443-40	Eterna Cartridge, RTC w/ Spring Check
22	001638-45	Lever Handle
23	002712-40	Eterna Cartridge RTC w/ Spring Check, Handle, Index & Screw
24	001661-45	Red Index-HW
25	000922-45	Lever Handle Screw

Product Specifications:

EasyInstall Pre-Rinse Unit:
 Single Deck Mount Base Mixing Faucet, Eterna Cartridges, 24" Riser,
 6" Wall Bracket, Overhead Spring, 44" Flexible Stainless Steel Hose
 w/ B-0107 Spray Valve & (2) 18" Flexible Supply Hoses

Drawn	Checked	Approved
DHL	DMH	JHB
Scale:		Date:
NTS		02/11/13