



T&S BRASS AND BRONZE WORKS, INC.

2 Saddleback Cove / P.O. Box 1088
Travelers Rest, SC 29690

Model No.
B-0123-A-08 SERIES

Item No.

Travelers Rest, SC: 800-476-4103 • Simi Valley, CA: 800-423-0150 • Fax: 864-834-3518 • www.tsbrass.com

This Space for Architect/Engineer Approval

Job Name _____ Date _____

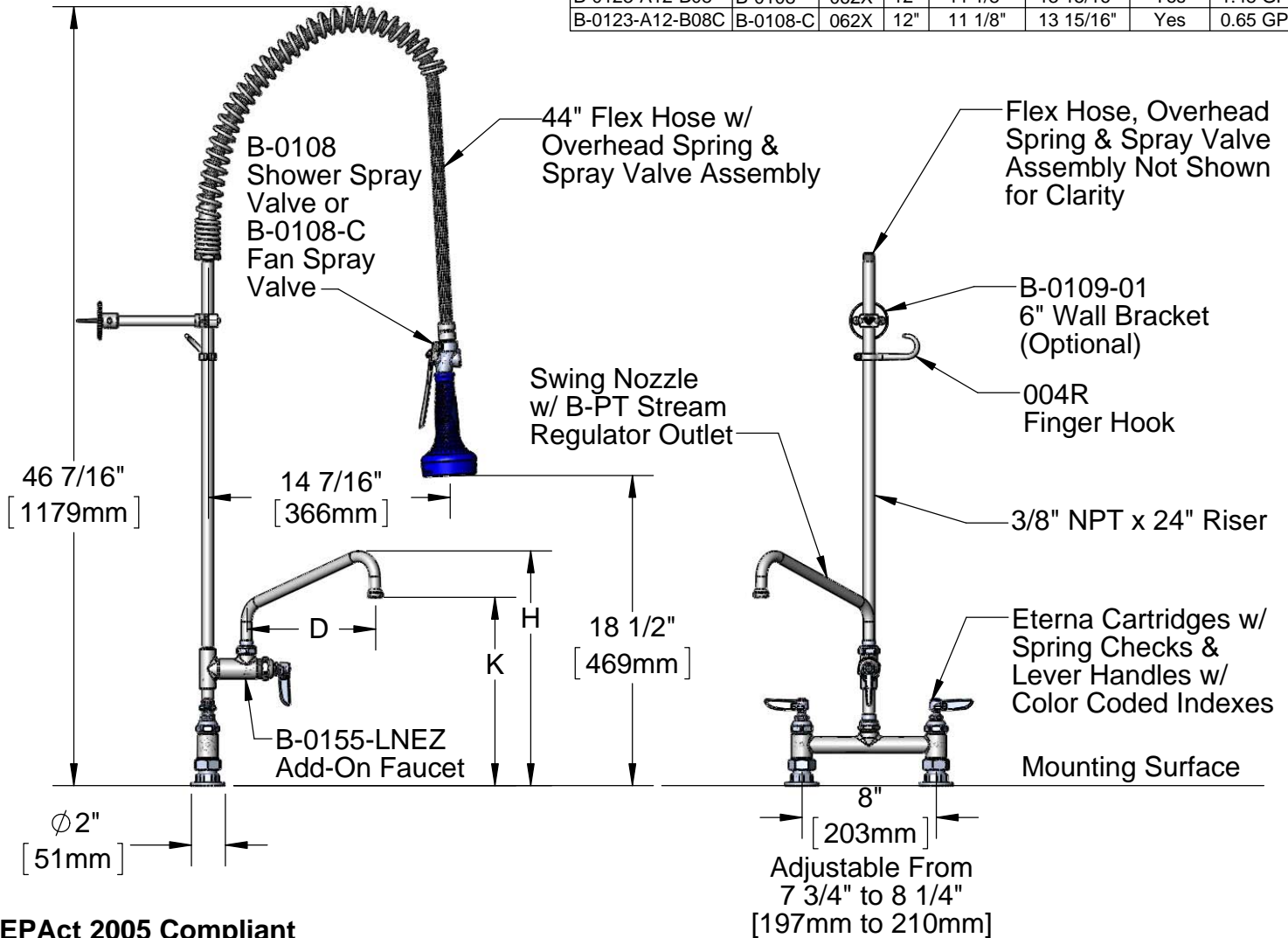
Model Specified _____ Quantity _____

Customer/Wholesaler _____

Contractor _____

Architect/Engineer _____

| Model | Spray Valve | Swing Nozzle | D | K | H | 6" Wall Bracket | Flow Rate |
|-----------------|-------------|--------------|-----|----------|-----------|-----------------|-----------|
| B-0123-A06-08 | B-0108 | 059X | 6" | 9 3/4" | 12 1/2" | No | 1.48 GPM |
| B-0123-A06-08C | B-0108-C | 059X | 6" | 9 3/4" | 12 1/2" | No | 0.65 GPM |
| B-0123-A06-B08 | B-0108 | 059X | 6" | 9 3/4" | 12 1/2" | Yes | 1.48 GPM |
| B-0123-A06-B08C | B-0108-C | 059X | 6" | 9 3/4" | 12 1/2" | Yes | 0.65 GPM |
| B-0123-A08-08 | B-0108 | 060X | 8" | 10 5/16" | 13 1/8" | No | 1.48 GPM |
| B-0123-A08-08C | B-0108-C | 060X | 8" | 10 5/16" | 13 1/8" | No | 0.65 GPM |
| B-0123-A08-B08 | B-0108 | 060X | 8" | 10 5/16" | 13 1/8" | Yes | 1.48 GPM |
| B-0123-A08-B08C | B-0108-C | 060X | 8" | 10 5/16" | 13 1/8" | Yes | 0.65 GPM |
| B-0123-A10-08 | B-0108 | 061X | 10" | 11 1/16" | 13 13/16" | No | 1.48 GPM |
| B-0123-A10-08C | B-0108-C | 061X | 10" | 11 1/16" | 13 13/16" | No | 0.65 GPM |
| B-0123-A10-B08 | B-0108 | 061X | 10" | 11 1/16" | 13 13/16" | Yes | 1.48 GPM |
| B-0123-A10-B08C | B-0108-C | 061X | 10" | 11 1/16" | 13 13/16" | Yes | 0.65 GPM |
| B-0123-A12-08 | B-0108 | 062X | 12" | 11 1/8" | 13 15/16" | No | 1.48 GPM |
| B-0123-A12-08C | B-0108-C | 062X | 12" | 11 1/8" | 13 15/16" | No | 0.65 GPM |
| B-0123-A12-B08 | B-0108 | 062X | 12" | 11 1/8" | 13 15/16" | Yes | 1.48 GPM |
| B-0123-A12-B08C | B-0108-C | 062X | 12" | 11 1/8" | 13 15/16" | Yes | 0.65 GPM |



EPAct 2005 Compliant

Product Specifications:
EasyInstall Pre-Rinse Unit:
Deck Mount Base Mixing Faucet, 24" Riser, Overhead Spring,
44" Flex Hose, B-0108 / B-0108-C Spray Valve
& 6" Wall Bracket (Optional)

| | | |
|-----------------------|-----------------------|--------------------------|
| Drawn JRM | Checked KJG | Approved JHB |
| Scale: 1:10 | | Date: 11/03/11 |



T&S BRASS AND BRONZE WORKS, INC.

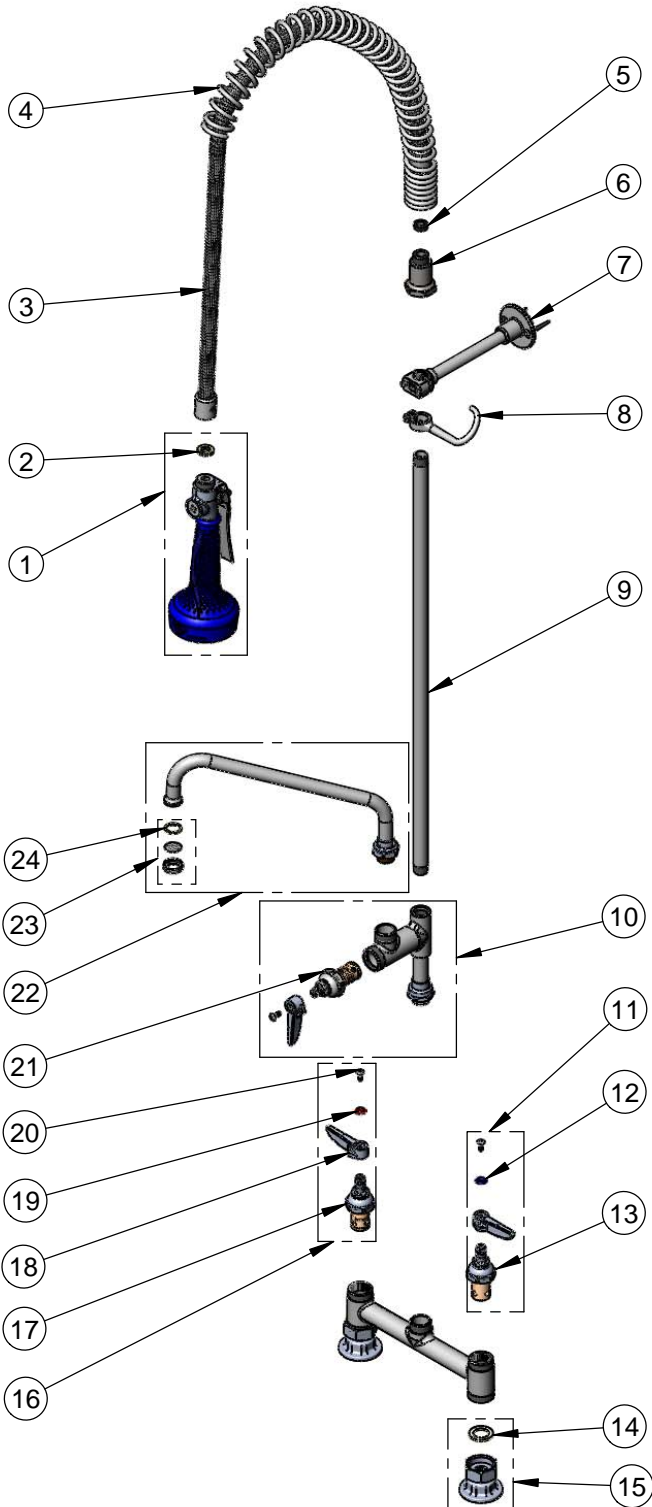
2 Saddleback Cove / P.O. Box 1088
Travelers Rest, SC 29690

Model No.

B-0123-A-08 SERIES

Item No.

Travelers Rest, SC: 800-476-4103 • Simi Valley, CA: 800-423-0150 • Fax: 864-834-3518 • www.tsbrass.com



| ITEM NO. | SALES NO. | DESCRIPTION |
|----------|-------------|--|
| 1 | See Chart | Blue Spray Valve |
| 2 | 001014-45 | Washer, B-0100 Hose Barrel |
| 3 | B-0044-H2A | 44" SS Flex Hose w/o Handle |
| 4 | 000888-45 | EasyInstall Overhead Spring |
| 5 | 010476-45 | #27 Washer |
| 6 | 000821-40 | Spring Body |
| 7 | B-0109-01 | 6" Wall Bracket |
| 8 | 004R | Finger Hook Assembly |
| 9 | 000372-40 | 3/8" NPT x 24" Long Riser |
| 10 | B-0155-LNEZ | Easy-Install Add-On Faucet |
| 11 | 002711-40 | Cold Eterna w/ Spring Check, Handle, Index & Screw |
| 12 | 001660-45 | Blue Index-CW |
| 13 | 012442-40 | Cold Eterna w/ Spring Check |
| 14 | 001019-45 | Coupling Nut Washer |
| 15 | 00AA | Flange Assembly |
| 16 | 002712-40 | Hot Eterna w/ Spring Check, Handle, Index & Screw |
| 17 | 012443-40 | Hot Eterna w/ Spring Check |
| 18 | 001638-45 | Lever Handle |
| 19 | 001661-45 | Red Index-HW |
| 20 | 000922-45 | Lever Handle Screw |
| 21 | 007947-40 | Quarter Turn Hot Eterna Cartridge |
| 22 | See Chart | Swing Nozzle |
| 23 | B-PT | Stream Regulator Outlet |
| 24 | 001048-45 | Nozzle Tip Washer |

Product Specifications:

EasyInstall Pre-Rinse Unit:
Deck Mount Base Mixing Faucet, 24" Riser, Overhead Spring,
44" Flex Hose, B-0108 / B-0108-C Spray Valve
& 6" Wall Bracket (Optional)

Drawn

JRM

Checked

KJG

Approved

JHB

Scale:

NTS

Date:

11/03/11