



T&S BRASS AND BRONZE WORKS, INC.
 2 Saddleback Cove / P.O. Box 1088
 Travelers Rest, SC 29690

Model No.
B-0123-ADF12-BJ

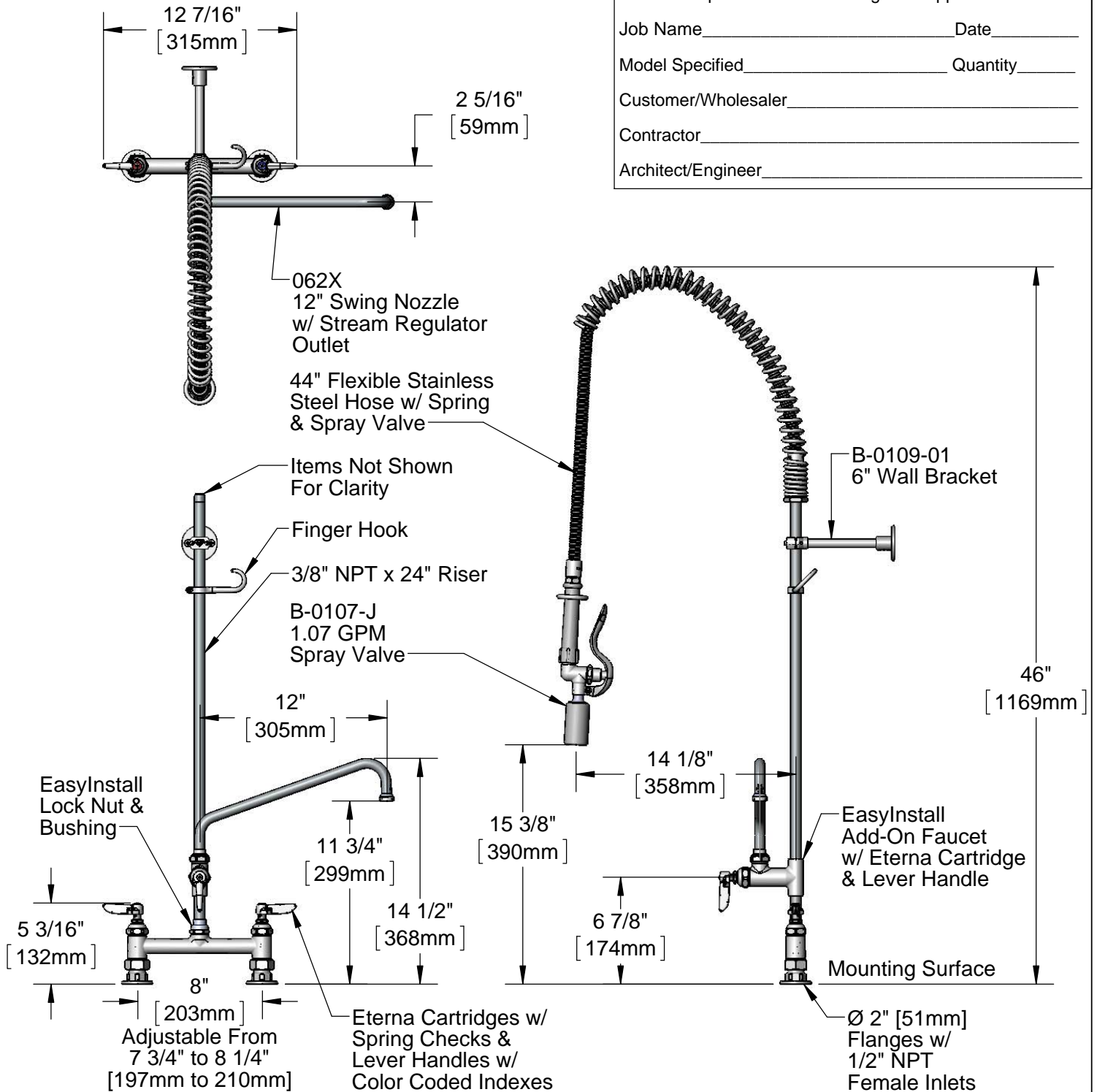
Item No.

Travelers Rest, SC: 800-476-4103 • Simi Valley, CA: 800-423-0150 • Fax: 864-834-3518 • www.tsbrass.com

EPAct 2005 Compliant

This Space for Architect/Engineer Approval

Job Name _____ Date _____
 Model Specified _____ Quantity _____
 Customer/Wholesaler _____
 Contractor _____
 Architect/Engineer _____



Product Specifications:

EasyInstall Pre-Rinse Unit:
 8" Deck Mount Mixing Faucet, Eterna Cartridges w/ Spring Checks,
 Lever Handles, Add-On Faucet w/ 12" Swing Nozzle, 44" Flexible
 Stainless Steel Hose, 1.07 GPM Spray Valve, 6" Wall Bracket &
 1/2" NPT Female Inlets

Drawn KJG	Checked DMH	Approved JHB
Scale: 1:9		Date: 11/22/13



T&S BRASS AND BRONZE WORKS, INC.

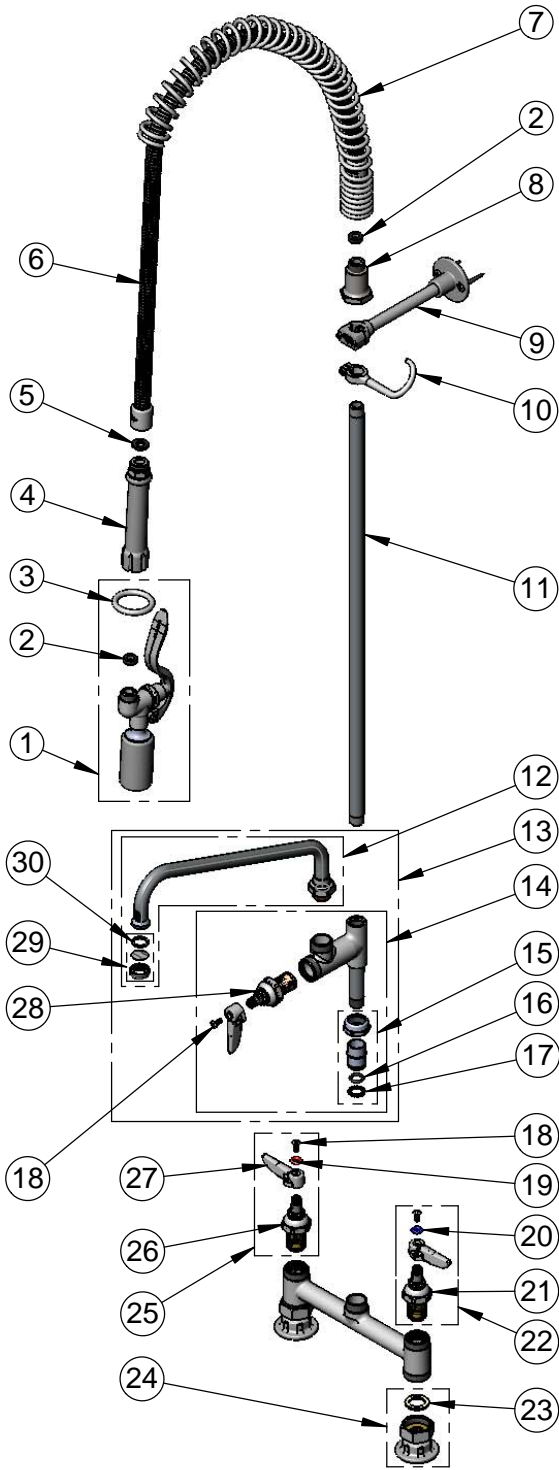
2 Saddleback Cove / P.O. Box 1088
Travelers Rest, SC 29690

Model No.

B-0123-ADF12-BJ

Item No.

Travelers Rest, SC: 800-476-4103 • Simi Valley, CA: 800-423-0150 • Fax: 864-834-3518 • www.tsbrass.com



ITEM NO.	SALES NO.	DESCRIPTION
1	B-0107-J	1.07 GPM Spray Valve
2	010476-45	#27 Washer
3	000907-45	Spray Valve Hold Down Ring
4	002987-40	Grip Handle
5	001014-45	Washer, B-0100 Hose Barrel
6	B-0044-H2A	44" Stainless Steel Flex Hose, Less Handle
7	000888-45	EasyInstall Overhead Spring
8	000821-40	Spring Body
9	B-0109-01	6" Wall Bracket
10	004R	Finger Hook
11	000372-40	3/8" NPT x 24" Riser
12	062X	12" Swing Nozzle w/ Stream Regulator Outlet
13	B-0156-EZ	EasyInstall Add-On Faucet w/ 12" Swing Nozzle
14	B-0155-LNEZ	EasyInstall Add-On Faucet, Less Nozzle
15	EZ-K	EasyInstall Kit: Nut, Bushing, O-ring & Lock Washer
16	001065-45	O-Ring
17	014200-45	Star Washer, Anti-Rotation
18	000922-45	Lever Handle Screw
19	001661-45	Red Index-HW
20	001660-45	Blue Index-CW
21	012442-40	Eterna Cartridge, LTC w/ Spring Check
22	002711-40	Eterna Cartridge, LTC w/ Spring Check, Lever Handle, Index & Screw
23	001019-45	Coupling Nut Washer
24	00AA	1/2" NPT Female Eccentric Flange
25	002712-40	Eterna Cartridge, RTC w/ Spring Check, Lever Handle, Index & Screw
26	012443-40	Eterna Cartridge, RTC w/ Spring Check
27	001638-45	Lever Handle
28	005960-40QT	1/4 Turn Eterna Cartridge, RTC
29	B-PT	Stream Regulator Outlet
30	001048-45	Nozzle Tip Washer

Product Specifications:

EasyInstall Pre-Rinse Unit:
8" Deck Mount Mixing Faucet, Eterna Cartridges w/ Spring Checks,
Lever Handles, Add-On Faucet w/ 12" Swing Nozzle, 44" Flexible
Stainless Steel Hose, 1.07 GPM Spray Valve, 6" Wall Bracket &
1/2" NPT Female Inlets

Drawn KJG	Checked DMH	Approved JHB
Scale: NTS		Date: 11/22/13