



# T&S BRASS AND BRONZE WORKS, INC.

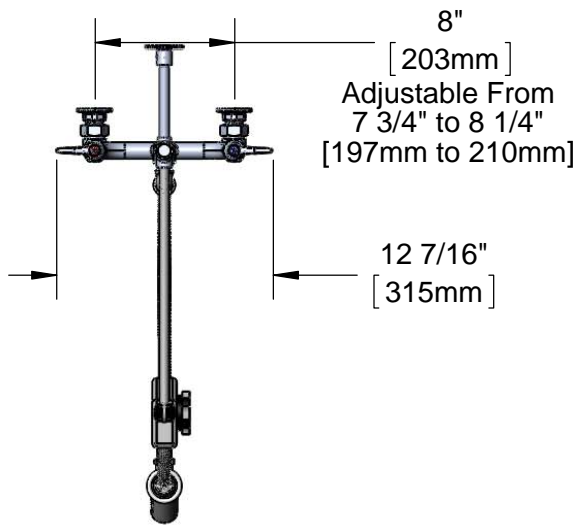
2 Saddleback Cove / P.O. Box 1088  
Travelers Rest, SC 29690

Model No.

**B-0129-VB**

Item No.

Travelers Rest, SC: 800-476-4103 • Simi Valley, CA: 800-423-0150 • Fax: 864-834-3518 • www.tsbrass.com



This Space for Architect/Engineer Approval

Job Name \_\_\_\_\_ Date \_\_\_\_\_

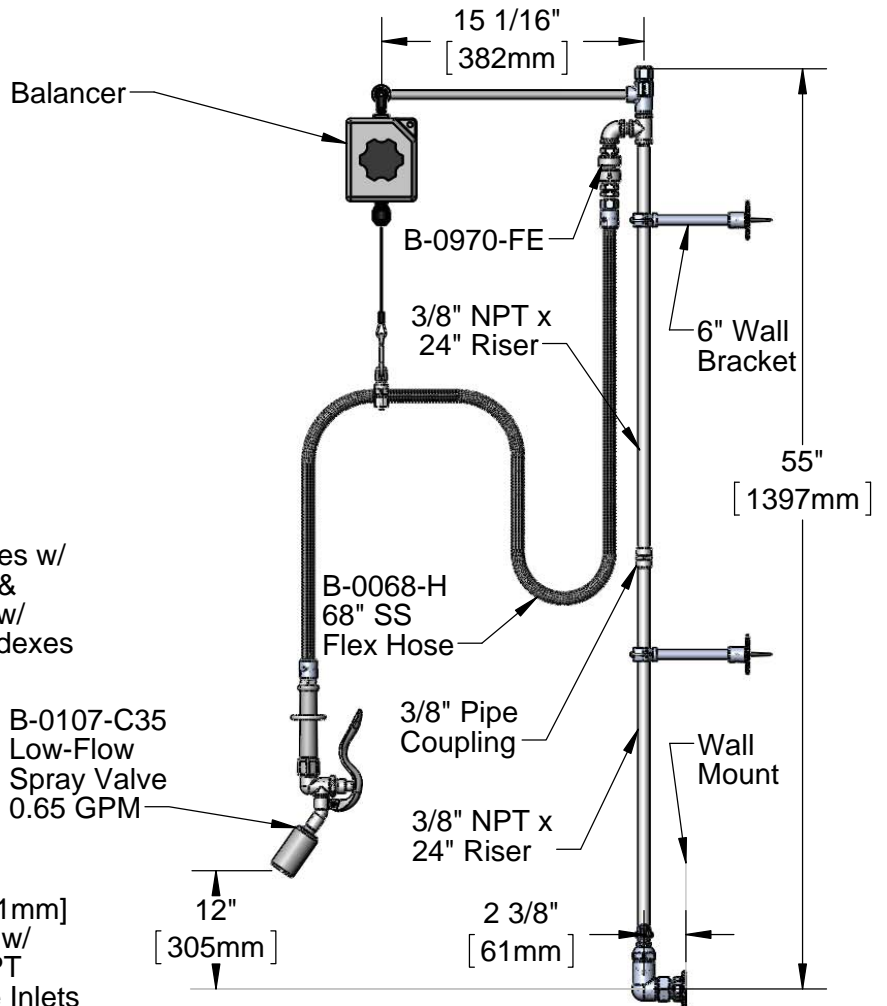
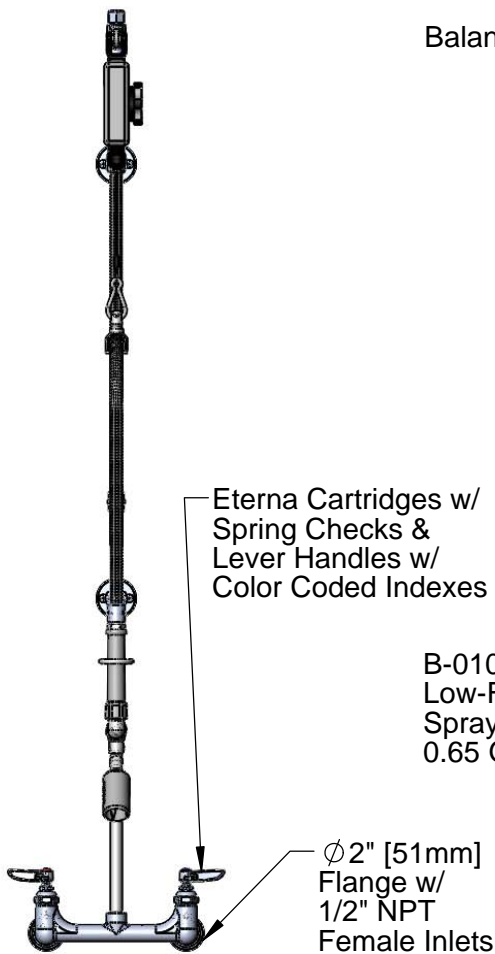
Model Specified \_\_\_\_\_ Quantity \_\_\_\_\_

Customer/Wholesaler \_\_\_\_\_

Contractor \_\_\_\_\_

Architect/Engineer \_\_\_\_\_

EPA Act 2005 Compliant



Product Specifications:  
Pre-Rinse Unit with Vacuum Breaker & Balancer Assembly

Drawn <b>JRM</b>	Checked <b>KJG</b>	Approved <b>JHB</b>
---------------------	-----------------------	------------------------

Scale: <b>1:11</b>	Date: <b>06/20/12</b>
-----------------------	--------------------------

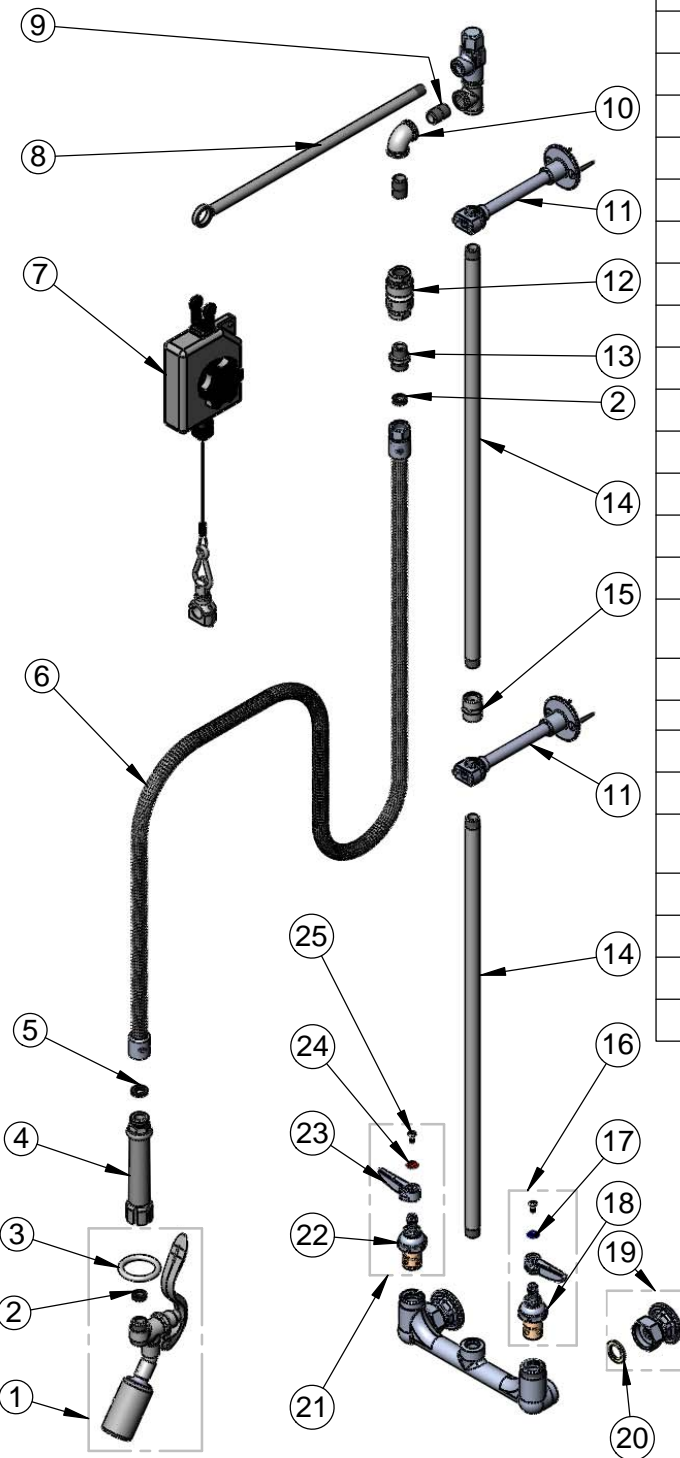


**T&S BRASS AND BRONZE WORKS, INC.**  
 2 Saddleback Cove / P.O. Box 1088  
 Travelers Rest, SC 29690

Model No.  
**B-0129-VB**

Item No.

Travelers Rest, SC: 800-476-4103 • Simi Valley, CA: 800-423-0150 • Fax: 864-834-3518 • www.tsbrass.com

	ITEM NO.	SALES NO.	DESCRIPTION
		1	B-0107-C35
	2	010476-45	#27 Washer
	3	000907-45	Spray Valve Hold Down Ring
	4	002987-45	Handle Grip
	5	001014-45	Washer, B-0100 Hose Barrel
	6	B-0068-H2A	SS Flex Hose
	7	005311-40	Balancer
	8	005252-20	Swivel Arm, Chrome Plated
	9	002535-25	3/8" Close Nipple
	10	001355-40	Elbow, 3/8 NPT
	11	B-0109-01	6" Wall Bracket
	12	B-0970-FE	B-0970-FE Vacuum Breaker
	13	053A	Adapter, 3/8" NPT x 3/4"-14 UNS
	14	000372-40	Nipple, 3/8 x 24"
	15	001769-40	Coupling, 3/8" NPT
	16	002711-40	Eterna LTC w/ Spring Check, Handle, Index & Screw
	17	001660-45	Blue Index-CW
	18	012442-40	Eterna LTC w/ Spring Check
	19	00AA	1/2" NPT Female Eccentric Flange
	20	001019-45	Coupling Nut Washer
	21	002712-40	Eterna RTC w/ Spring Check, Handle, Index & Screw
	22	012443-40	Eterna RTC w/ Spring Check
	23	001638-45	Lever Handle
	24	001661-45	Red Index-HW
	25	000922-45	Lever Handle Screw

Product Specifications:  
**Pre-Rinse Unit with Vacuum Breaker & Balancer Assembly**

Drawn <b>JRM</b>	Checked <b>KJG</b>	Approved <b>JHB</b>
Scale: <b>NTS</b>		Date: <b>06/20/12</b>