



T&S BRASS AND BRONZE WORKS, INC.

2 Saddleback Cove / P.O. Box 1088
Travelers Rest, SC 29690

Model No.

B-0131-B

Item No.

Travelers Rest, SC: 800-476-4103 • Simi Valley, CA: 800-423-0150 • Fax: 864-834-3518 • www.tsbrass.com

This Space for Architect/Engineer Approval

Job Name _____ Date _____

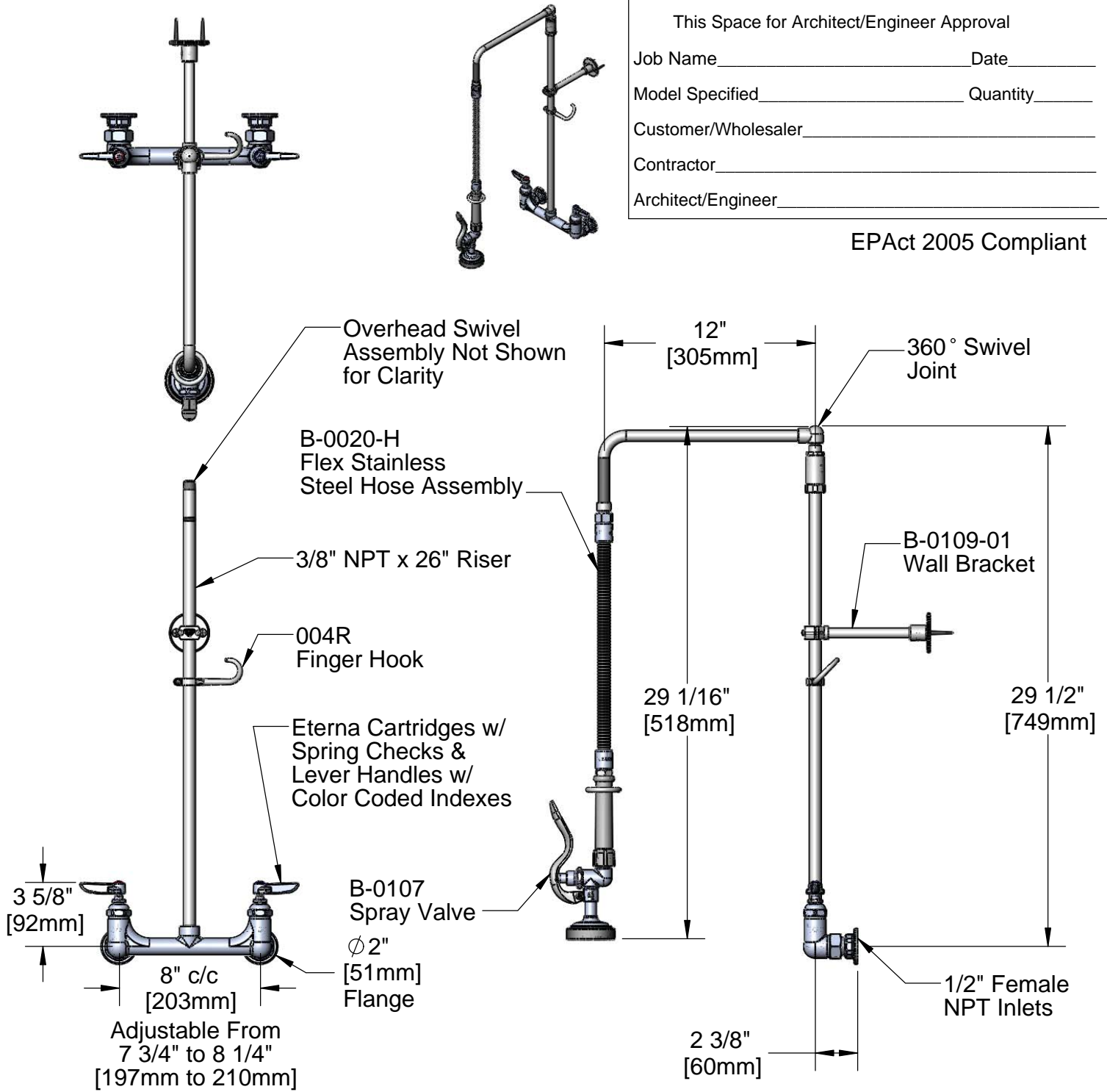
Model Specified _____ Quantity _____

Customer/Wholesaler _____

Contractor _____

Architect/Engineer _____

EPAct 2005 Compliant



Product Specifications:
Pre-Rinse Unit w/ Lever Handles, 1/2" NPT Female Inlets,
26" Riser, B-0020-H Flex Hose, Overhead Swivel Assembly,
B-0107 Spray Valve & Wall Bracket

Drawn	Checked	Approved
JRM	DMH	JHB
Scale:	Date:	
1:8	03/27/12	



T&S BRASS AND BRONZE WORKS, INC.

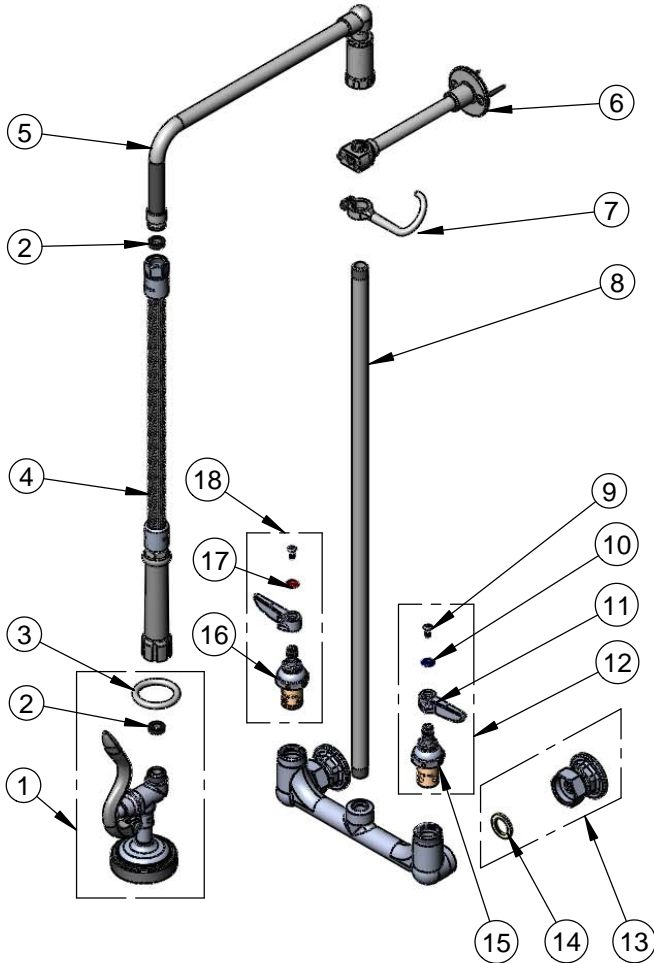
2 Saddleback Cove / P.O. Box 1088
Travelers Rest, SC 29690

Model No.

B-0131-B

Item No.

Travelers Rest, SC: 800-476-4103 • Simi Valley, CA: 800-423-0150 • Fax: 864-834-3518 • www.tsbrass.com



ITEM NO.	SALES NO.	DESCRIPTION
1	B-0107	Spray Valve w/ Hold Down Ring & Washer
2	010476-45	#27 Washer
3	000907-45	Spray Valve Hold Down Ring
4	B-0020-H	SS Flex Hose
5	002882-40	L-Tube Assembly, 12"
6	B-0109-01	6" Wall Bracket
7	004R	Finger Hook Assembly
8	000373-40	3/8" x 26" Nipple
9	000922-45	Lever Handle Screw
10	001660-45	Blue Index-CW
11	001638-45	Lever Handle
12	002711-40	Eterna Cartridge (LTC) w/ Spring Check, Handle, Index & Screw
13	00AA	Flange Assembly
14	001019-45	Coupling Nut Washer
15	012442-40	Eterna Cartridge (LTC) w/ Spring Check
16	012443-40	Eterna Cartridge (RTC) w/ Spring Check
17	001661-45	Red Index-HW
18	002712-40	Eterna Cartridge (RTC) w/ Spring Check, Handle, Index & Screw

Product Specifications:

Pre-Rinse Unit w/ Lever Handles, 1/2" NPT Female Inlets, 26" Riser, B-0020-H Flex Hose, Overhead Swivel Assembly, B-0107 Spray Valve & Wall Bracket

Drawn

JRM

Checked

DMH

Approved

JHB

Scale:

NTS

Date:

03/27/12