



T&S BRASS AND BRONZE WORKS, INC.

2 Saddleback Cove / P.O. Box 1088
Travelers Rest, SC 29690



REG. #A2601
ISO #9001

Model No.

B-0131-CR-B08C

Item No.

Travelers Rest, SC: 800-476-4103 • Simi Valley, CA: 800-423-0150 • Fax: 864-834-3518 • www.tsbrass.com

This Space for Architect/Engineer Approval

Job Name _____ Date _____

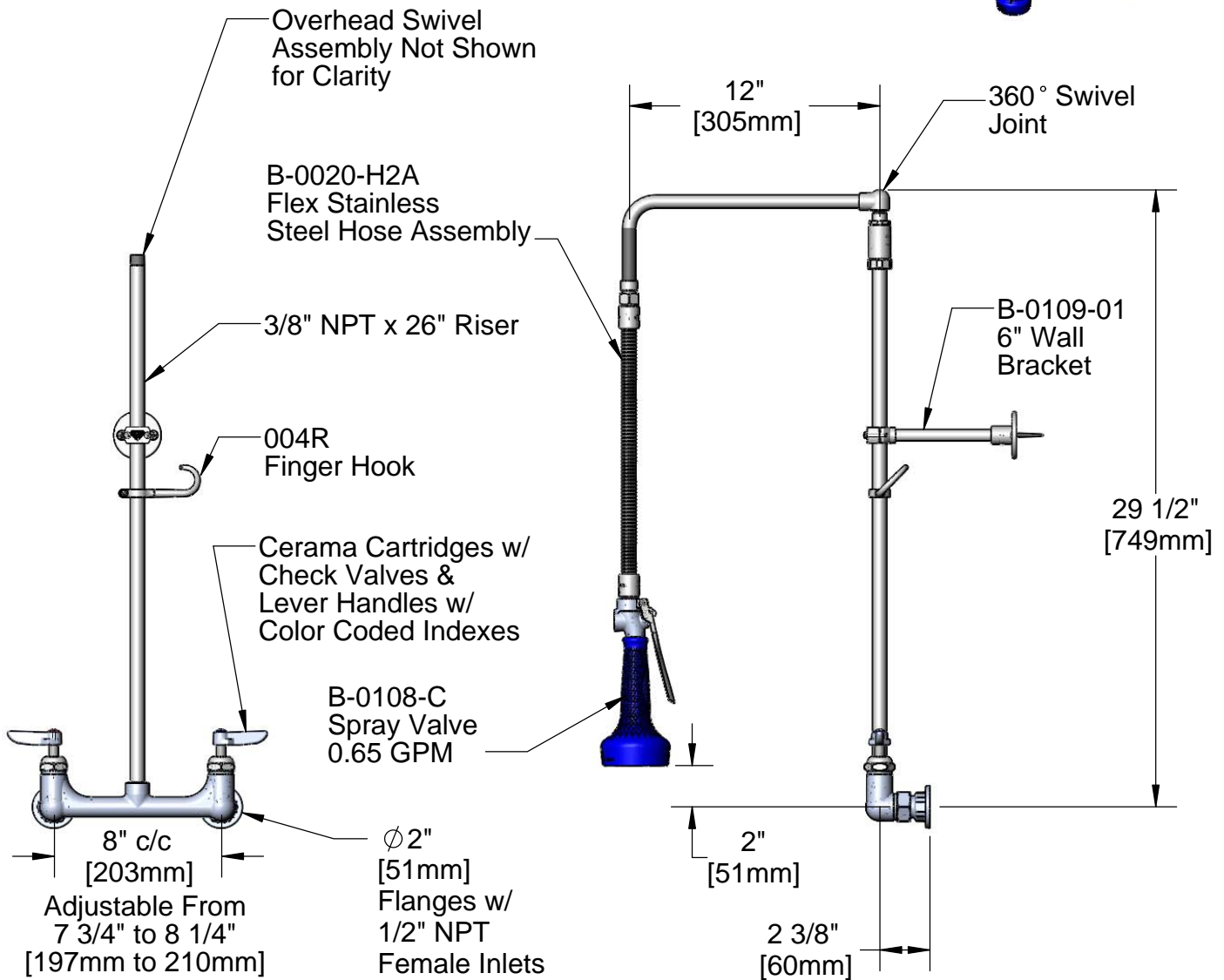
Model Specified _____ Quantity _____

Customer/Wholesaler _____

Contractor _____

Architect/Engineer _____

EPAct 2005 Compliant



Product Specifications:
Pre-Rinse Unit w/ Lever Handles, 1/2" NPT Female Inlets, Cerama Cartridges, 26" Riser, B-0020-H2A Flex Hose, Overhead Swivel Assembly, B-0108-C Spray Valve & 6" Wall Bracket

Drawn KJG	Checked DMH	Approved JHB
Scale: 1:8		Date: 08/29/11



T&S BRASS AND BRONZE WORKS, INC.

2 Saddleback Cove / P.O. Box 1088
Travelers Rest, SC 29690



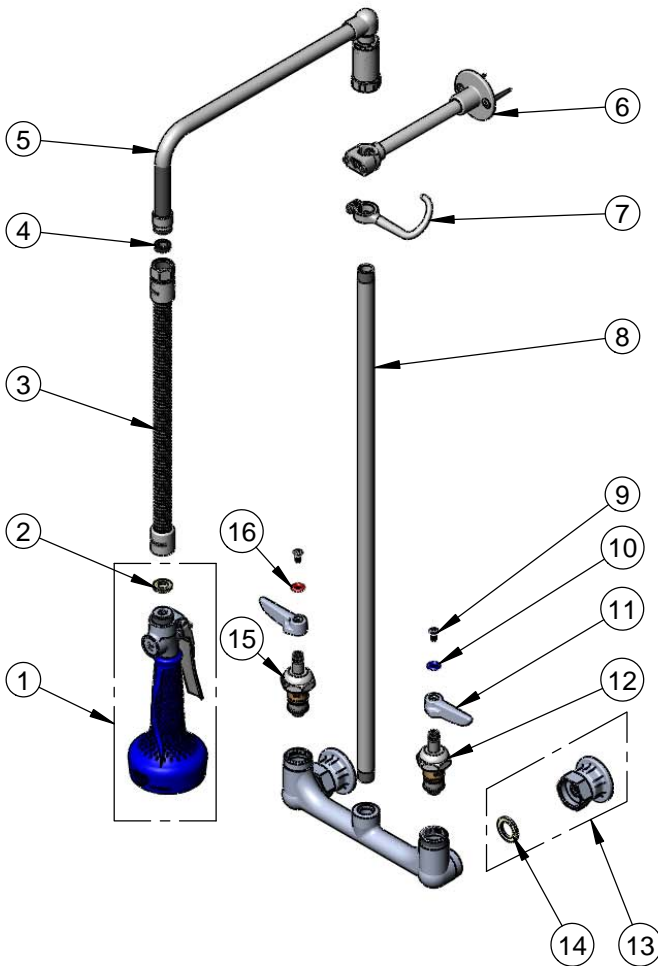
REG. #A2601
ISO #9001

Model No.

B-0131-CR-B08C

Item No.

Travelers Rest, SC: 800-476-4103 • Simi Valley, CA: 800-423-0150 • Fax: 864-834-3518 • www.tsbrass.com



ITEM NO.	SALES NO.	DESCRIPTION
1	B-0108-C	Spray Valve Assembly w/ Washer
2	001014-45	Washer, B-0100 Hose Barrel
3	B-0020-H2A	20" SS Flex Hose w/o Handle
4	010476-45	#27 Washer
5	002882-40	L-Tube Assembly, 12"
6	B-0109-01	6" Wall Bracket
7	004R	Finger Hook Assembly
8	000373-40	3/8" NPT, 26" Length Riser
9	000922-45	Lever Handle Screw
10	001660-45	Blue Index-CW
11	001638-45	Lever Handle
12	012395-25	Cerama Cartridge, LTC w/ Check Valve
13	00AA	Flange Assembly
14	001019-45	Coupling Nut Washer
15	012394-25	Cerama Cartridge, RTC w/ Check Valve
16	001661-45	Red Index-HW

Product Specifications:

Pre-Rinse Unit w/ Lever Handles, 1/2" NPT Female Inlets, Cerama Cartridges, 26" Riser, B-0020-H2A Flex Hose, Overhead Swivel Assembly, B-0108-C Spray Valve & 6" Wall Bracket

Drawn

KJG

Checked

DMH

Approved

JHB

Scale:

NTS

Date:

08/29/11