



# T&S BRASS AND BRONZE WORKS, INC.

2 Saddleback Cove / P.O. Box 1088  
Travelers Rest, SC 29690



REG. #A2601  
ISO #9001

Model No.

**B-0131-CR-BC**

Item No.

Travelers Rest, SC: 800-476-4103 Simi Valley, CA: 800-423-0150 Fax: 864-834-3518 www.tsbrass.com

This Space for Architect/Engineer Approval

Job Name \_\_\_\_\_ Date \_\_\_\_\_

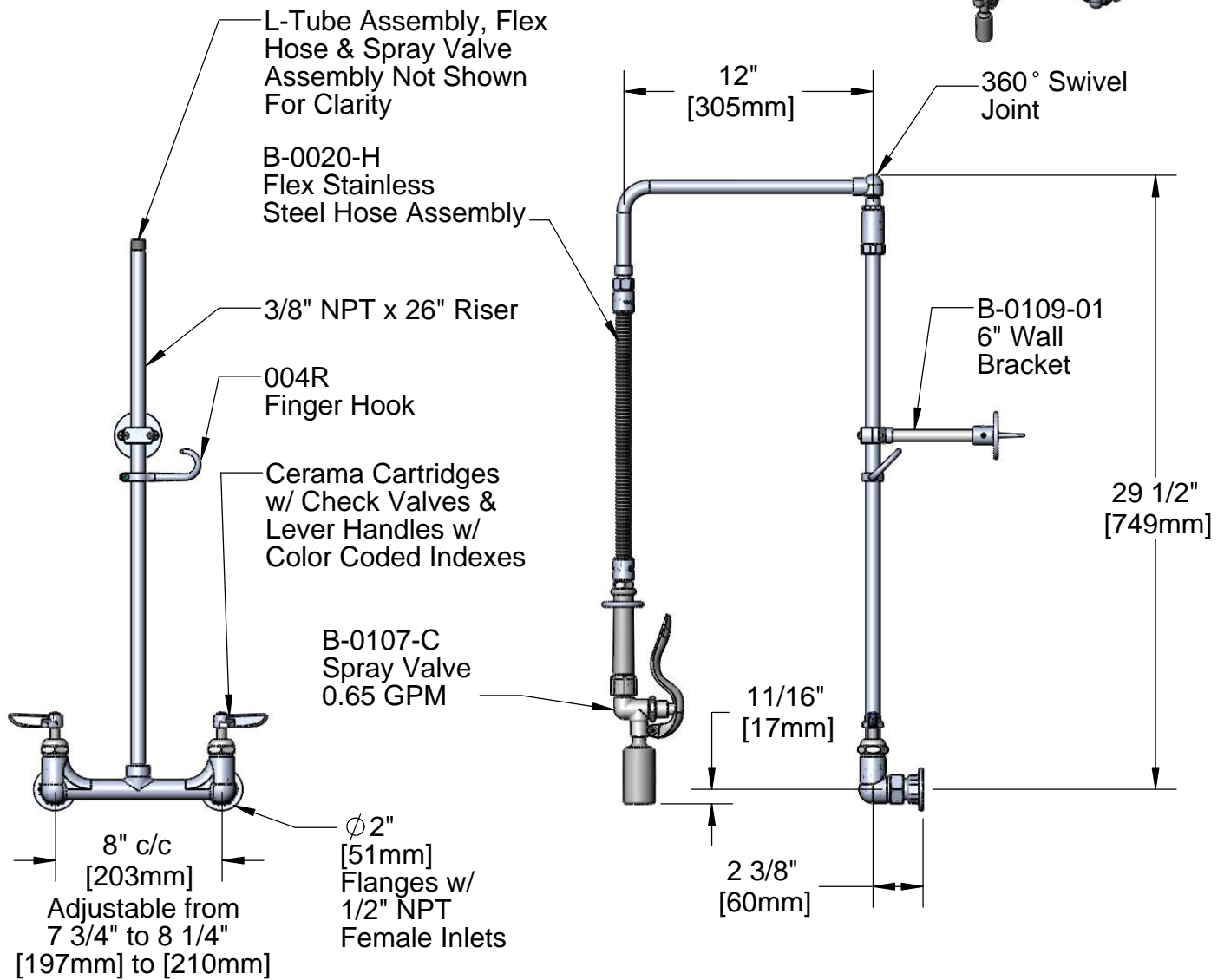
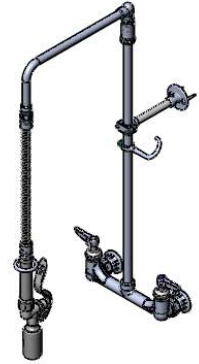
Model Specified \_\_\_\_\_ Quantity \_\_\_\_\_

Customer/Wholesaler \_\_\_\_\_

Contractor \_\_\_\_\_

Architect/Engineer \_\_\_\_\_

## EPAct 2005 COMPLIANT



### Product Specifications:

**Pre-Rinse Unit w/ Lever Handles, 1/2" NPT Female Inlets, Cerama Cartridges, 26" Riser, B-0020-H Flex Hose, B-0107-C Low Flow Spray Valve & 6" Wall Bracket**

Drawn <b>KJG</b>	Checked <b>DMH</b>	Approved <b>JHB</b>
Scale: <b>1:8</b>	Date: <b>08/29/11</b>	



**T&S BRASS AND BRONZE WORKS, INC.**

2 Saddleback Cove / P.O. Box 1088  
Travelers Rest, SC 29690



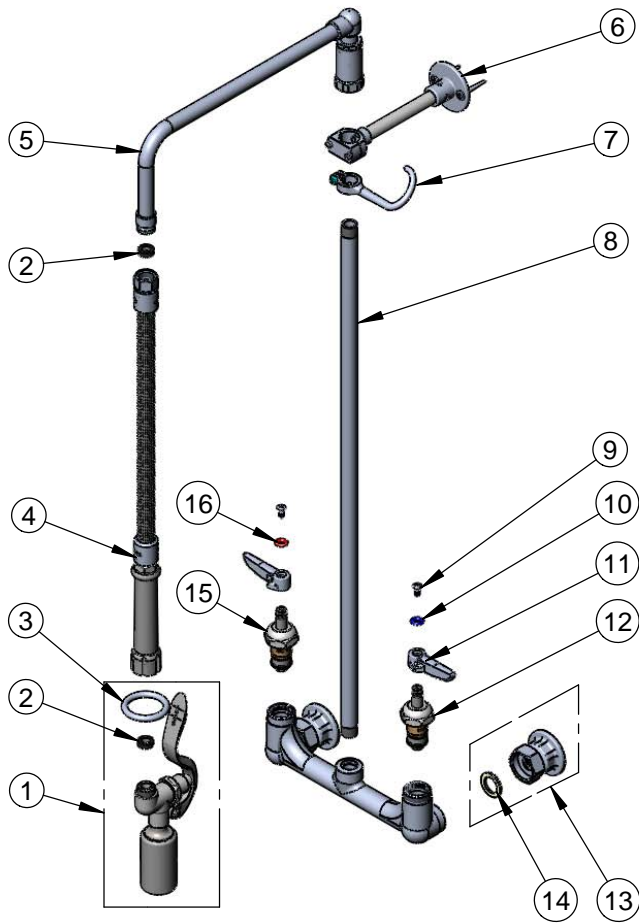
REG. #A2601  
ISO #9001

Model No.

**B-0131-CR-BC**

Item No.

Travelers Rest, SC: 800-476-4103 Simi Valley, CA: 800-423-0150 Fax: 864-834-3518 www.tsbrass.com



ITEM NO.	SALES NO.	DESCRIPTION
1	B-0107-C	0.65 GPM Spray Valve w/ Washer & Hold Down Ring
2	010476-45	#27 Washer
3	000907-45	Spray Valve Hold Down Ring
4	B-0020-H	20" SS Flex Hose
5	002882-40	L-Tube Assembly, 12"
6	B-0109-01	6" Wall Bracket Assembly
7	004R	Finger Hook Assembly
8	000373-40	3/8" NPT, 26" Length Riser
9	000922-45	Lever Handle Screw
10	001660-45	Blue Index-CW
11	001638-45	Lever Handle
12	012395-25	Cerama Cartridge, LTC w/ Check Valve
13	00AA	Flange Assembly
14	001019-45	Coupling Nut Washer
15	012394-25	Cerama Cartridge, RTC w/ Check Valve
16	001661-45	Red Index-HW

Product Specifications:

Pre-Rinse Unit w/ Lever Handles, 1/2" NPT Female Inlets, Cerama Cartridges, 26" Riser, B-0020-H Flex Hose, B-0107-C Low Flow Spray Valve & 6" Wall Bracket

Drawn <b>KJG</b>	Checked <b>DMH</b>	Approved <b>JHB</b>
Scale: <b>NTS</b>		Date: <b>08/29/11</b>