



T&S BRASS AND BRONZE WORKS, INC.

2 Saddleback Cove / P.O. Box 1088
Travelers Rest, SC 29690



REG. #A2601
ISO #9001

Model No.

B-0131-LN-CR-SC

Item No.

Travelers Rest, SC: 800-476-4103 Simi Valley, CA: 800-423-0150 Fax: 864-834-3518 www.tsbrass.com

This Space for Architect/Engineer Approval

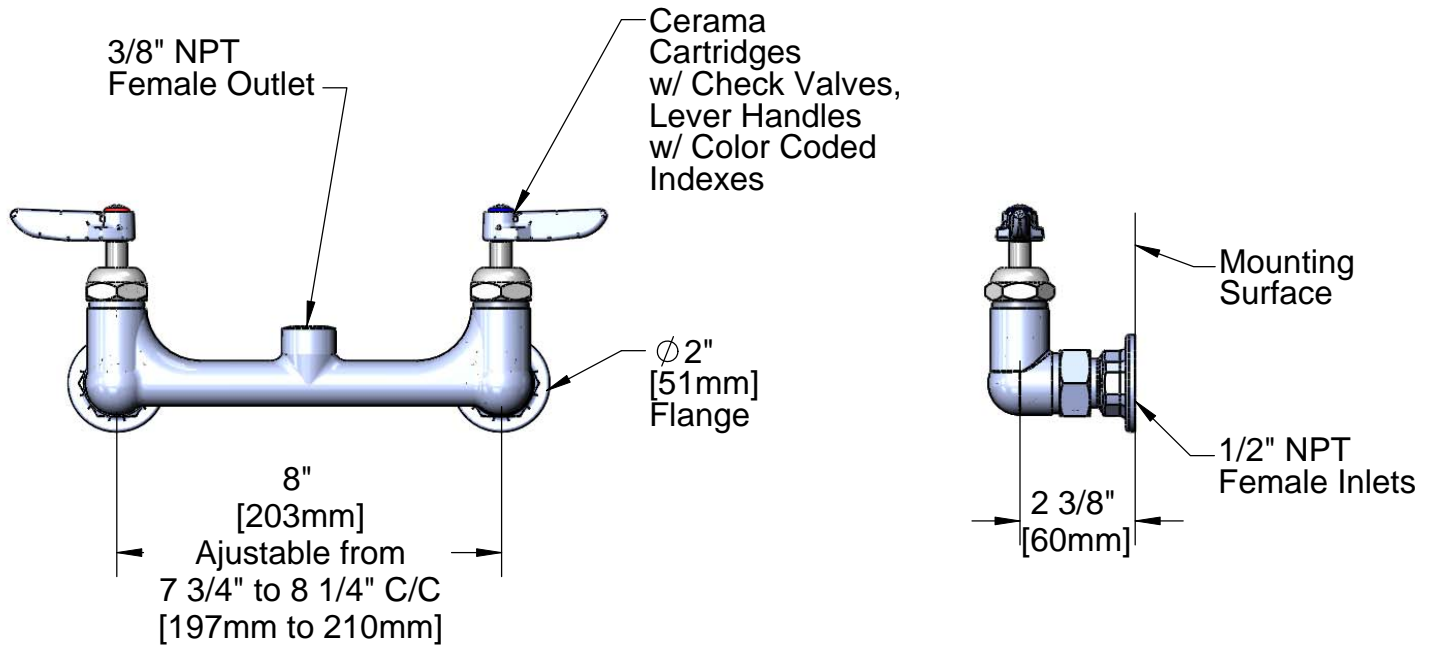
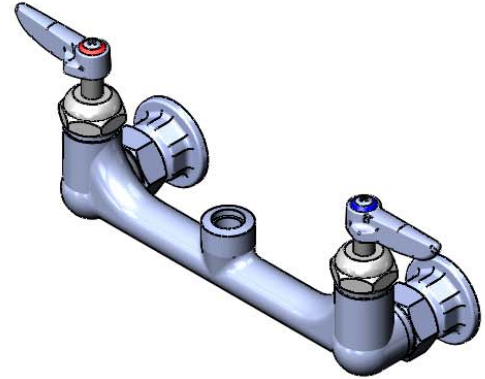
Job Name _____ Date _____

Model Specified _____ Quantity _____

Customer/Wholesaler _____

Contractor _____

Architect/Engineer _____



Product Specifications:

8" c/c Wall Mount Mixing Faucet w/ Cerama Cartridges, Lever Handles, 1/2" NPT Female Inlets & Less Nozzle

Drawn KJG	Checked DMH	Approved JHB
Scale: 1:4		Date: 10/08/10



T&S BRASS AND BRONZE WORKS, INC.

2 Saddleback Cove / P.O. Box 1088
Travelers Rest, SC 29690



REG. #A2601
ISO #9001

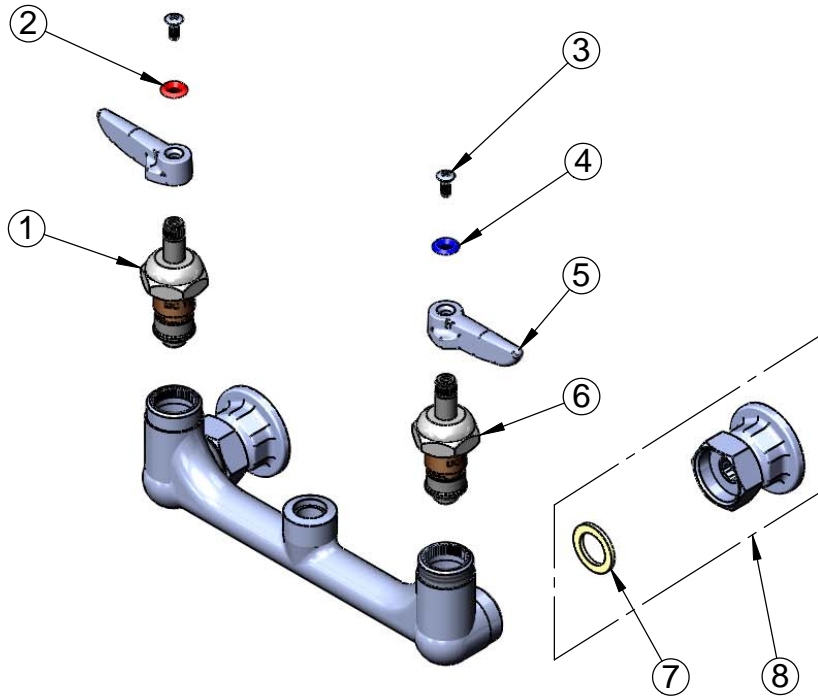
Model No.

B-0131-LN-CR-SC

Item No.

Travelers Rest, SC: 800-476-4103 Simi Valley, CA: 800-423-0150 Fax: 864-834-3518 www.tsbrass.com

ITEM NO.	SALES NO.	DESCRIPTION
1	012394-25	Cerama Cartridge, RTC w/ Check Valve
2	001661-45	Red Index-HW
3	000922-45	Lever Handle Screw
4	001660-45	Blue Index-CW
5	001638-45	Lever Handle
6	012395-25	Cerama Cartridge, LTC w/ Check Valve
7	001019-45	Coupling Nut Washer
8	00AA	Flange Assembly



Product Specifications:

8" c/c Wall Mount Mixing Faucet w/ Cerama Cartridges,
Lever Handles, 1/2" NPT Female Inlets & Less Nozzle

Drawn KJG	Checked DMH	Approved JHB
Scale: NTS		Date: 10/08/10