



# T&S BRASS AND BRONZE WORKS, INC.

2 Saddleback Cove / P.O. Box 1088  
Travelers Rest, SC 29690



REG. #A2601  
ISO #9001

Model No.  
**B-0133-01-CR-8C**

Item No.

Travelers Rest, SC: 800-476-4103 Simi Valley, CA: 800-423-0150 Fax: 864-834-3518 www.tsbrass.com

This Space for Architect/Engineer Approval

Job Name \_\_\_\_\_ Date \_\_\_\_\_

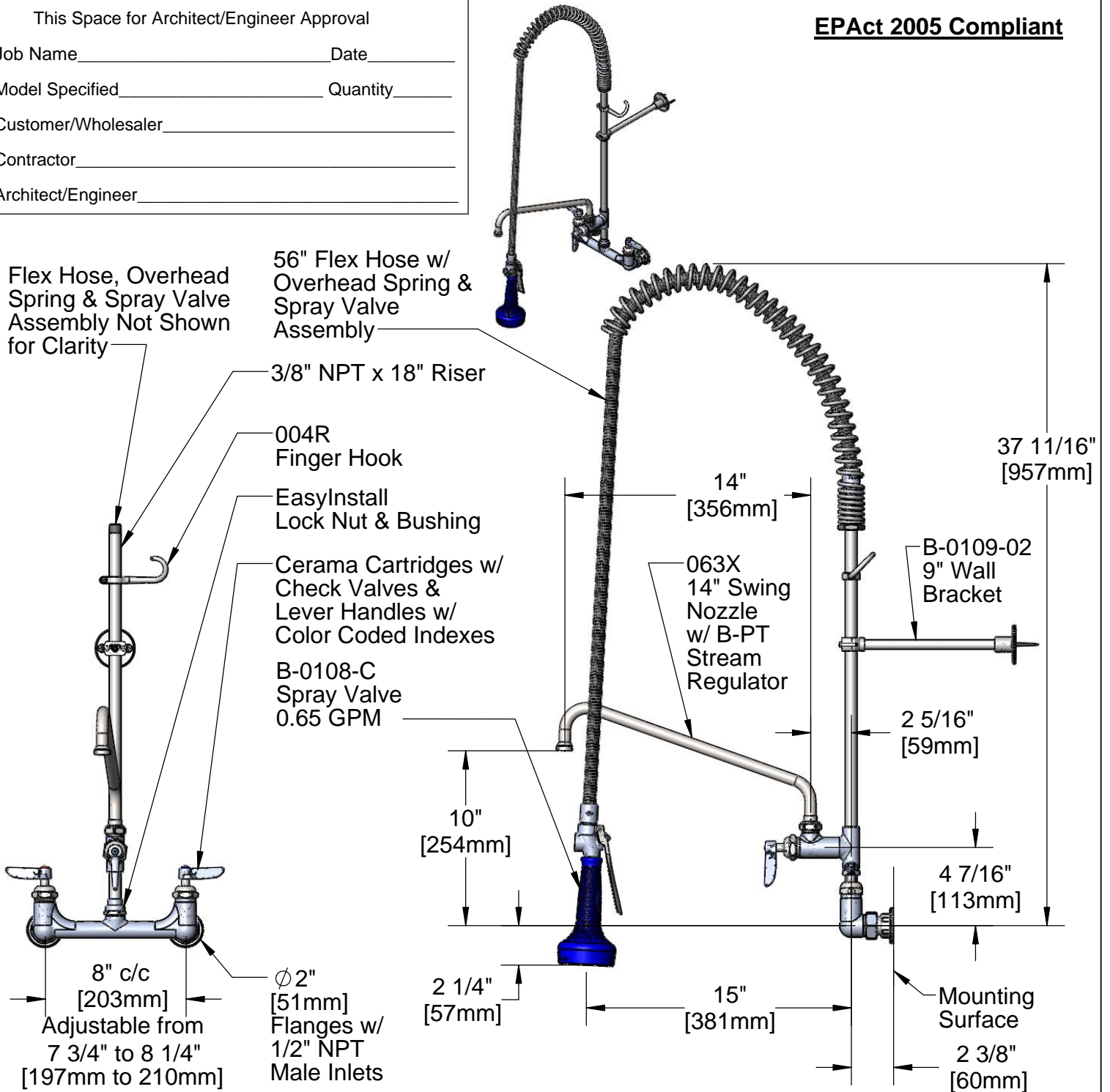
Model Specified \_\_\_\_\_ Quantity \_\_\_\_\_

Customer/Wholesaler \_\_\_\_\_

Contractor \_\_\_\_\_

Architect/Engineer \_\_\_\_\_

**EPAct 2005 Compliant**



Product Specifications:

EasyInstall Pre-Rinse Unit: 8" c/c Wall Mount Mixing Faucet, 1/2" NPT Male Inlets, Cerama Cartridges, 18" Riser, Overhead Spring, 56" Flex Hose, B-0108-C Spray Valve, 14" Swing Nozzle, Add-On Faucet & 9" Wall Bracket

Drawn KJG	Checked DMH	Approved JHB
Scale: 1:8	Date: 08/29/11	



# T&S BRASS AND BRONZE WORKS, INC.

2 Saddleback Cove / P.O. Box 1088  
Travelers Rest, SC 29690



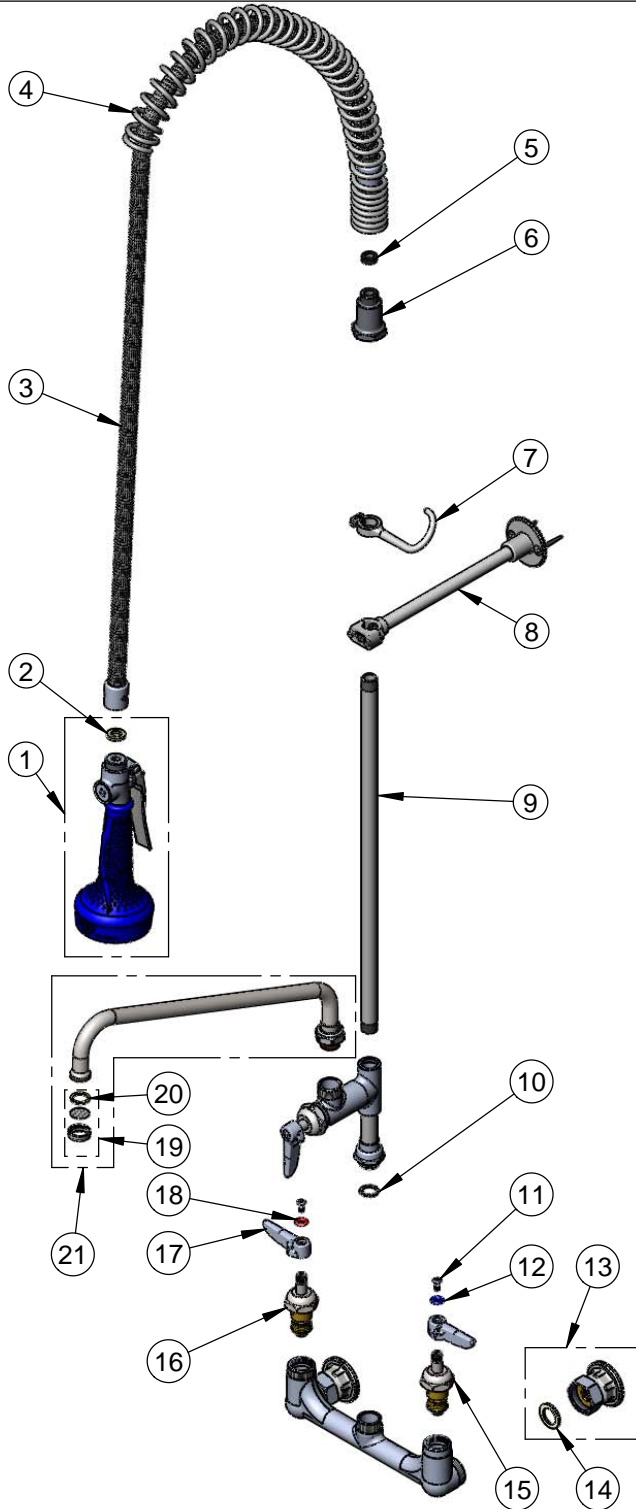
REG. #A2601  
ISO #9001

Model No.

**B-0133-01-CR-8C**

Item No.

Travelers Rest, SC: 800-476-4103 Simi Valley, CA: 800-423-0150 Fax: 864-834-3518 www.tsbrass.com



ITEM NO.	SALES NO.	DESCRIPTION
1	B-0108-C	Spray Valve Assembly w/ Washer
2	001014-45	Washer, B-0100 Hose Barrel
3	B-0056-H2A	56" Flex Hose Assembly, Less Handle
4	000888-45	EasyInstall Overhead Spring
5	010476-45	#27 Washer
6	000821-40	Spring Body
7	004R	Finger Hook Assembly
8	B-0109-02	9" Wall Support Assembly
9	000369-40	3/8" NPT x 18" Long Riser
10	014200-45	Star Washer, Anti-Rotation
11	000922-45	Lever Handle Screw
12	001660-45	Blue Index-CW
13	00AA	Flange Assembly
14	001019-45	Coupling Nut Washer
15	012395-25	Cerama Cartridge, LTC w/ Check Valve
16	012394-25	Cerama Cartridge, RTC w/ Check Valve
17	001638-45	Lever Handle
18	001661-45	Red Index-HW
19	B-PT	Stream Regulator Outlet
20	001048-45	Nozzle Tip Washer
21	063X	14" Swing Nozzle Assembly

**Product Specifications:**

EasyInstall Pre-Rinse Unit: 8" c/c Wall Mount Mixing Faucet, 1/2" NPT Male Inlets, Cerama Cartridges, 18" Riser, Overhead Spring, 56" Flex Hose, B-0108-C Spray Valve, 14" Swing Nozzle, Add-On Faucet & 9" Wall Bracket

Drawn <b>KJG</b>	Checked <b>DMH</b>	Approved <b>JHB</b>
Scale: <b>NTS</b>		Date: <b>08/29/11</b>