



T&S BRASS AND BRONZE WORKS, INC.
 2 Saddleback Cove / P.O. Box 1088
 Travelers Rest, SC 29690

Model No.
B-0133-01-CR

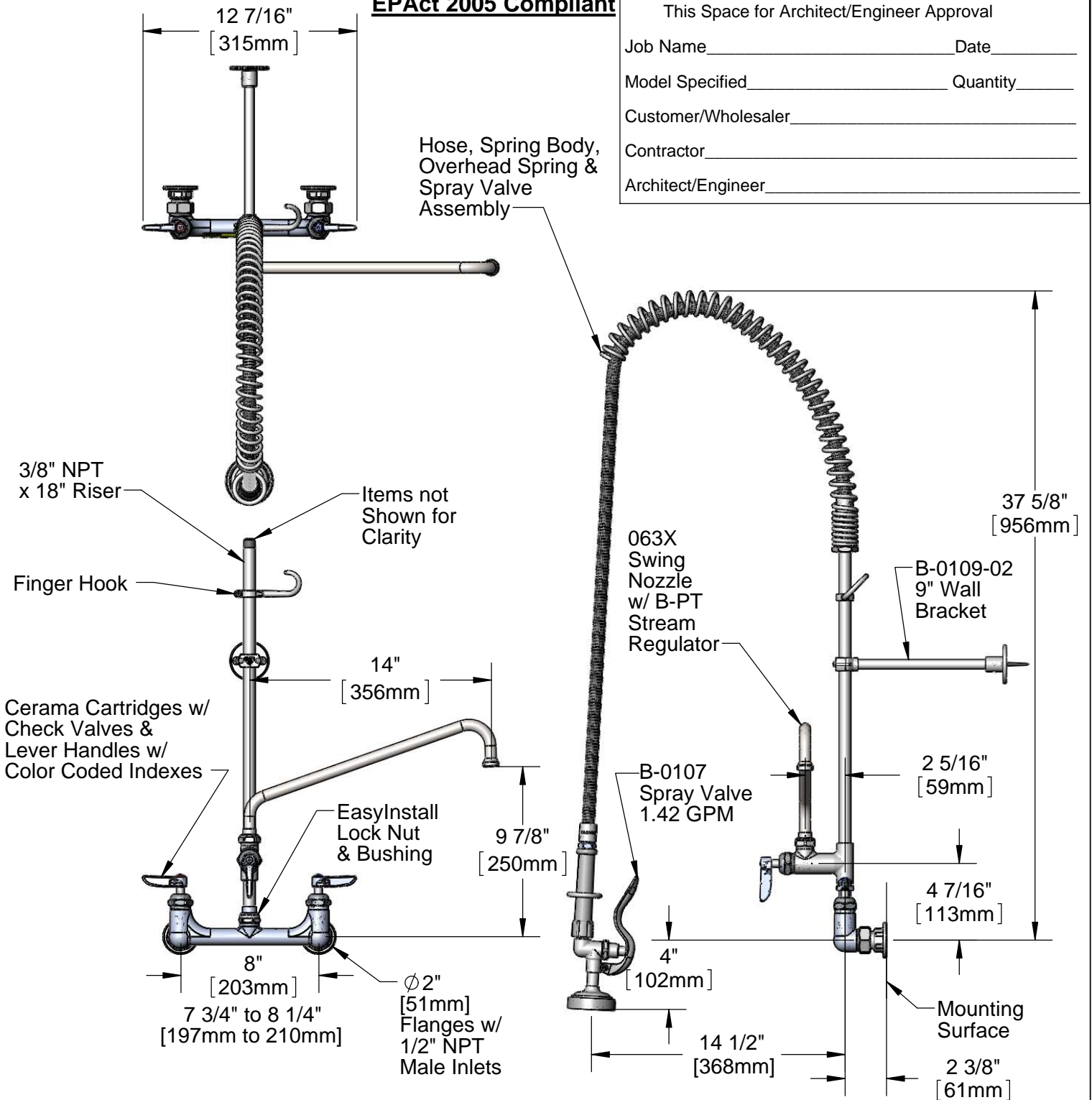
Item No.

Travelers Rest, SC: 800-476-4103 • Simi Valley, CA: 800-423-0150 • Fax: 864-834-3518 • www.tsbrass.com

EPAct 2005 Compliant

This Space for Architect/Engineer Approval

Job Name _____ Date _____
 Model Specified _____ Quantity _____
 Customer/Wholesaler _____
 Contractor _____
 Architect/Engineer _____



Product Specifications:
 EasyInstall Pre-Rinse Unit: 8" Wall Mount Mixing Faucet, Ceramas, 18" Riser, Overhead Spring, 56" Flex Hose, B-0107 Spray Valve, 063X Swing Nozzle, Add-On Faucet, 9" Wall Bracket & 00CC 1/2" NPT Male Inlets

Drawn JRM	Checked KJG	Approved JHB
Scale: 1:8		Date: 06/08/12



T&S BRASS AND BRONZE WORKS, INC.

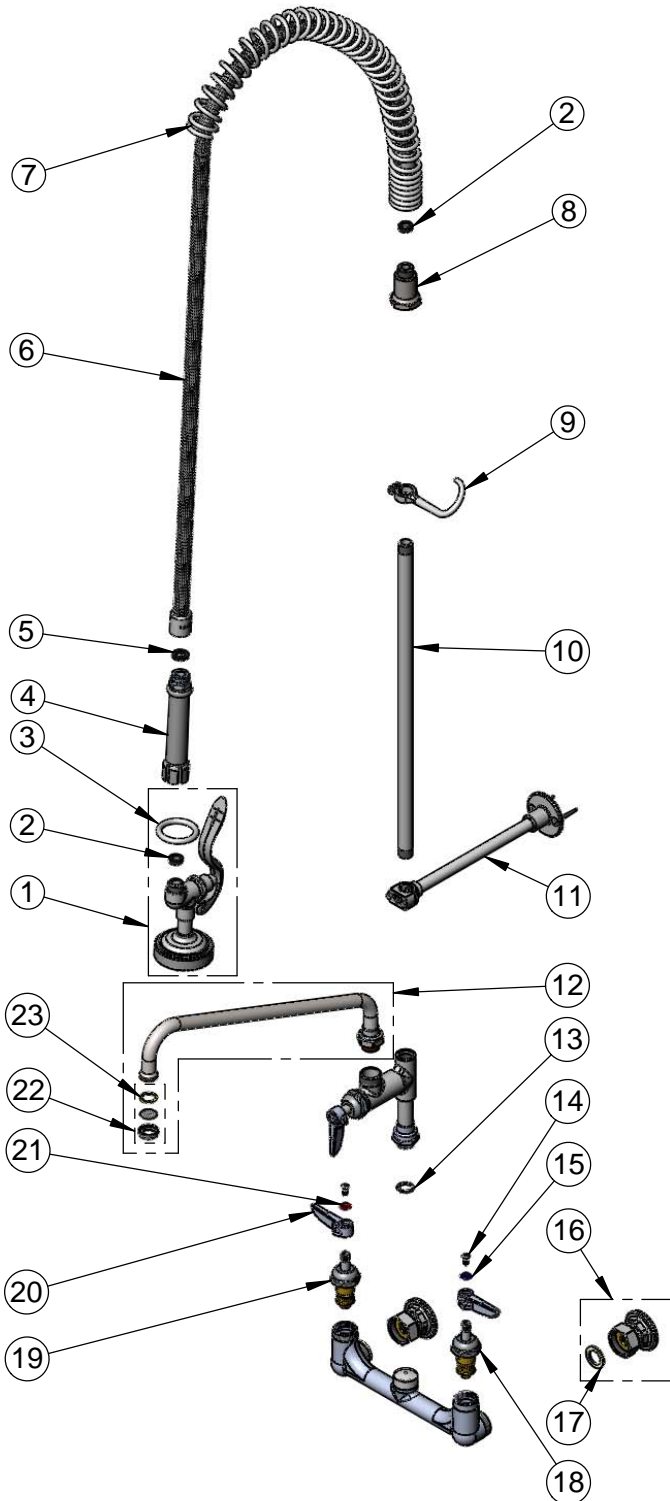
2 Saddleback Cove / P.O. Box 1088
Travelers Rest, SC 29690

Model No.

B-0133-01-CR

Item No.

Travelers Rest, SC: 800-476-4103 • Simi Valley, CA: 800-423-0150 • Fax: 864-834-3518 • www.tsbrass.com



ITEM NO.	SALES NO.	DESCRIPTION
1	B-0107	Grey Spray Valve
2	010476-45	#27 Washer
3	000907-45	Spray Valve Hold Down Ring
4	002987-40	Grip Handle Assembly
5	001014-45	Washer, B-0100 Hose Barrel
6	B-0056-H2A	56" Flex Hose Assembly, Less Handle
7	000888-45	EasyInstall Overhead Spring
8	000821-40	Spring Body
9	004R	Finger Hook
10	000369-40	3/8" NPT x 18" Long Riser
11	B-0109-02	9" Wall Support Assembly
12	063X	14" Swing Nozzle Assembly
13	014200-45	Star Washer, Anti-Rotation
14	000922-45	Lever Handle Screw
15	001660-45	Blue Index-CW
16	00CC	Flange Coupling Nut
17	001019-45	Coupling Nut Washer
18	012395-25	Cerama Cartridge, LTC w/ Check Valve
19	012394-25	Cerama Cartridge, RTC w/ Check Valve
20	001638-45	Lever Handle
21	001661-45	Red Index-HW
22	B-PT	Stream Regulator Outlet
23	001048-45	Nozzle Tip Washer

Product Specifications:

EasyInstall Pre-Rinse Unit: 8" Wall Mount Mixing Faucet, Ceramas, 18" Riser, Overhead Spring, 56" Flex Hose, B-0107 Spray Valve, 063X Swing Nozzle, Add-On Faucet, 9" Wall Bracket & 00CC 1/2" NPT Male Inlets

Drawn

JRM

Checked

KJG

Approved

JHB

Scale:

NTS

Date:

06/08/12