



**T&S BRASS AND BRONZE WORKS, INC.**  
 2 SADDLEBACK COVE / P.O. BOX 1088 / TRAVELERS REST, SC 29690  
 PHONE 800-476-4103 - FAX 864- 834-3518



REG.#A2601  
 ISO #9001

Model No.

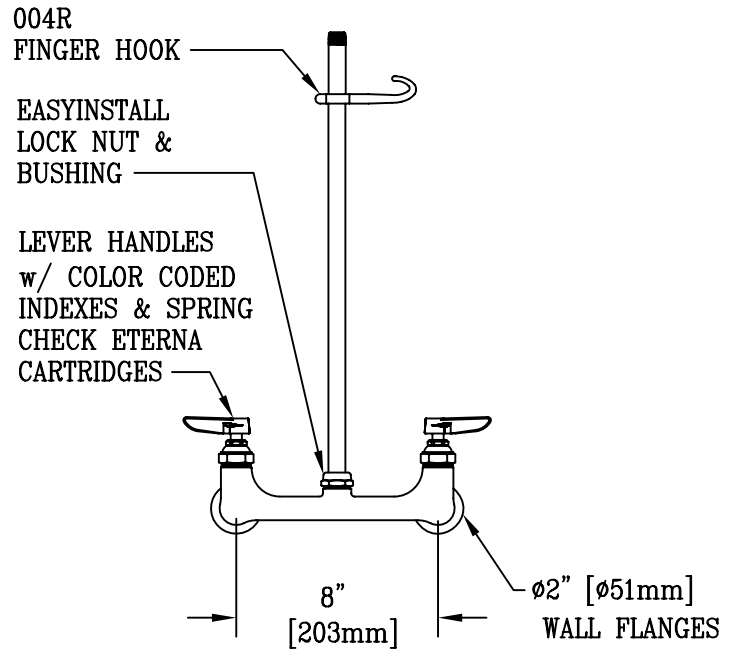
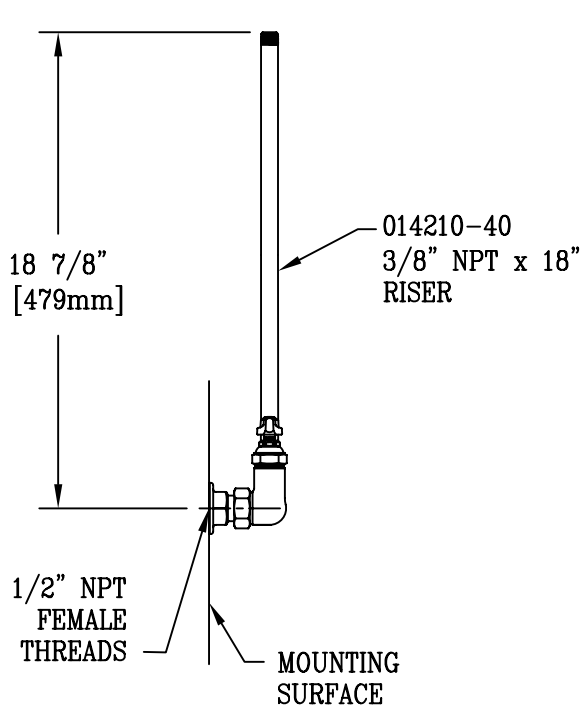
B-0133-09

**RELIABILITY  
 BUILT IN**

Job Name:

Architect/Engineer Approval:

Notes:



NOTES: ROUGH-IN REQUIREMENT  
 ø1" [ø25mm] CUTOUTS

Product Description:  
 8" c/c WALL MOUNT MIXING FAUCET,  
 1/2" NPT FEMALE THREADS & 18" RISER

Drawn:

KJG

Checked

JRM

Scale:

1 : 8

Approved

JHB

Date:

12/12/08