



# T&S BRASS AND BRONZE WORKS, INC.

2 Saddleback Cove / P.O. Box 1088  
Travelers Rest, SC 29690

Model No.

**B-0133-A-08 SERIES**

Item No.

Travelers Rest, SC: 800-476-4103 • Simi Valley, CA: 800-423-0150 • Fax: 864-834-3518 • www.tsbrass.com

This Space for Architect/Engineer Approval

Job Name \_\_\_\_\_ Date \_\_\_\_\_

Model Specified \_\_\_\_\_ Quantity \_\_\_\_\_

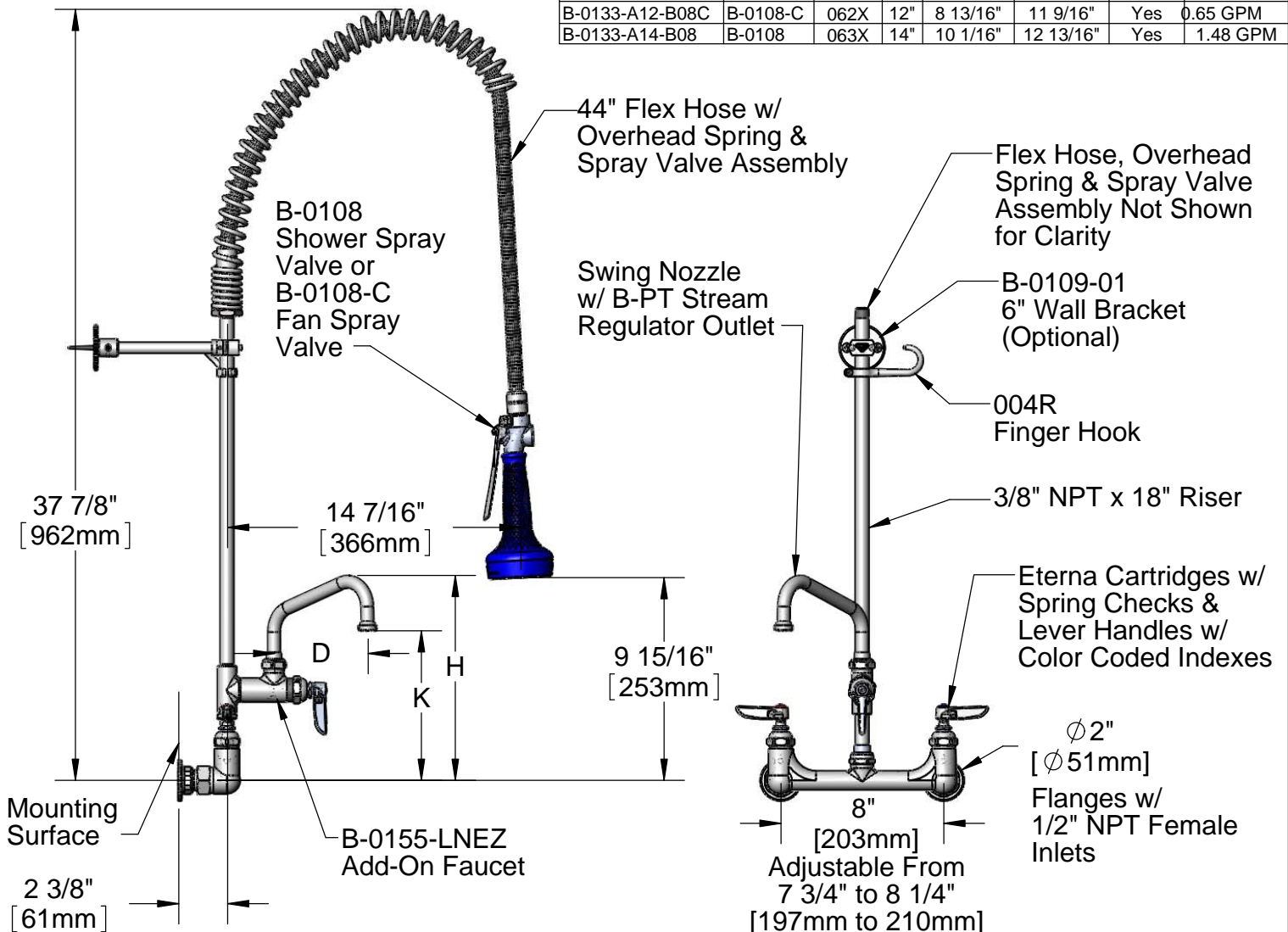
Customer/Wholesaler \_\_\_\_\_

Contractor \_\_\_\_\_

Architect/Engineer \_\_\_\_\_

Model	Spray Valve	Swing Nozzle	D	K	H	6" Wall Bracket	Flow Rate
B-0133-A06-08	B-0108	059X	6"	7 7/16"	10 1/8"	No	1.48 GPM
B-0133-A06-08C	B-0108-C	059X	6"	7 7/16"	10 1/8"	No	0.65 GPM
B-0133-A06-B08	B-0108	059X	6"	7 7/16"	10 1/8"	Yes	1.48 GPM
B-0133-A06-B08C	B-0108-C	059X	6"	7 7/16"	10 1/8"	Yes	0.65 GPM
B-0133-A08-08	B-0108	060X	8"	8"	10 3/4"	No	1.48 GPM
B-0133-A08-08C	B-0108-C	060X	8"	8"	10 3/4"	No	0.65 GPM
B-0133-A08-B08	B-0108	060X	8"	8"	10 3/4"	Yes	1.48 GPM
B-0133-A08-B08C	B-0108-C	060X	8"	8"	10 3/4"	Yes	0.65 GPM
B-0133-A10-08	B-0108	061X	10"	8 11/16"	11 7/16"	No	1.48 GPM
B-0133-A10-08C	B-0108-C	061X	10"	8 11/16"	11 7/16"	No	0.65 GPM
B-0133-A10-B08	B-0108	061X	10"	8 11/16"	11 7/16"	Yes	1.48 GPM
B-0133-A10-B08C	B-0108-C	061X	10"	8 11/16"	11 7/16"	Yes	0.65 GPM
B-0133-A12-08	B-0108	062X	12"	8 13/16"	11 9/16"	No	1.48 GPM
B-0133-A12-08C	B-0108-C	062X	12"	8 13/16"	11 9/16"	No	0.65 GPM
B-0133-A12-B08	B-0108	062X	12"	8 13/16"	11 9/16"	Yes	1.48 GPM
B-0133-A12-B08C	B-0108-C	062X	12"	8 13/16"	11 9/16"	Yes	0.65 GPM
B-0133-A14-B08	B-0108	063X	14"	10 1/16"	12 13/16"	Yes	1.48 GPM

## EPAct 2005 Compliant



Product Specifications:  
**EasyInstall Pre-Rinse Unit:**  
 8" c/c Wall Mount Base Faucet, 1/2" NPT Female Inlets, 18" Riser, Overhead Spring, 44" Flex Hose, B-0108 / B-0108-C Spray Valve & Wall Bracket (Optional)

Drawn <b>JRM</b>	Checked <b>KJG</b>	Approved <b>JHB</b>
Scale: <b>1:8</b>		Date: <b>11/07/11</b>



# T&S BRASS AND BRONZE WORKS, INC.

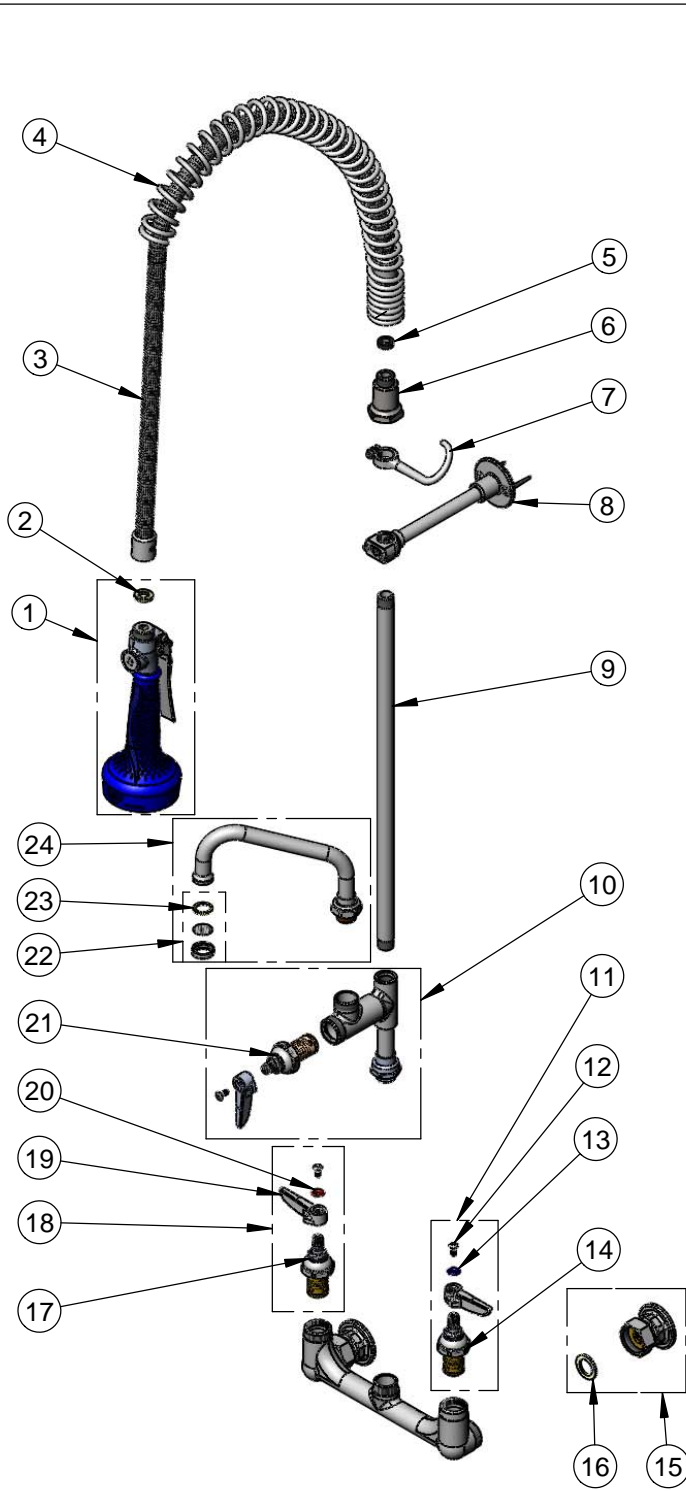
2 Saddleback Cove / P.O. Box 1088  
Travelers Rest, SC 29690

Model No.

**B-0133-A-08 SERIES**

Item No.

Travelers Rest, SC: 800-476-4103 • Simi Valley, CA: 800-423-0150 • Fax: 864-834-3518 • www.tsbrass.com



ITEM NO.	SALES NO.	DESCRIPTION
1	See Chart	Blue Spray Valve
2	001014-45	Washer, B-0100 Hose Barrel
3	B-0044-H2A	44" SS Flex Hose w/o Handle
4	000888-45	EasyInstall Overhead Spring
5	010476-45	#27 Washer
6	000821-40	Spring Body
7	004R	Finger Hook Assembly
8	B-0109-01	6" Wall Bracket
9	000369-40	3/8" NPT x 18" Long Riser
10	B-0155-LNEZ	Easy-Install Add-On Faucet
11	002711-40	Cold Eterna w/ Spring Check, Handle, Index & Screw
12	000922-45	Lever Handle Screw
13	001660-45	Blue Index-CW
14	012442-40	Cold Eterna w/ Spring Check
15	00AA	Flange Assembly
16	001019-45	Coupling Nut Washer
17	012443-40	Hot Eterna w/ Spring Check
18	002712-40	Hot Eterna w/ Spring Check, Handle, Index & Screw
19	001638-45	Lever Handle
20	001661-45	Red Index-HW
21	007947-40	Quarter Turn Hot Eterna
22	B-PT	Stream Regulator Outlet
23	001048-45	Nozzle Tip Washer
24	See Chart	Swing Nozzle

Product Specifications:  
**EasyInstall Pre-Rinse Unit:**  
 8" c/c Wall Mount Base Faucet, 1/2" NPT Female Inlets, 18" Riser,  
 Overhead Spring, 44" Flex Hose, B-0108 / B-0108-C Spray Valve &  
 Wall Bracket (Optional)

Drawn	Checked	Approved
<b>JRM</b>	<b>KJG</b>	<b>JHB</b>
Scale:		Date:
<b>NTS</b>		<b>11/07/11</b>