



T&S BRASS AND BRONZE WORKS, INC.

2 Saddleback Cove / P.O. Box 1088
Travelers Rest, SC 29690



REG. #A2601
ISO #9001

Model No.

B-0133-A12-B8CX

Item No.

Travelers Rest, SC: 800-476-4103 Simi Valley, CA: 800-423-0150 Fax: 864-834-3518 www.tsbrass.com

This Space for Architect/Engineer Approval

Job Name _____ Date _____

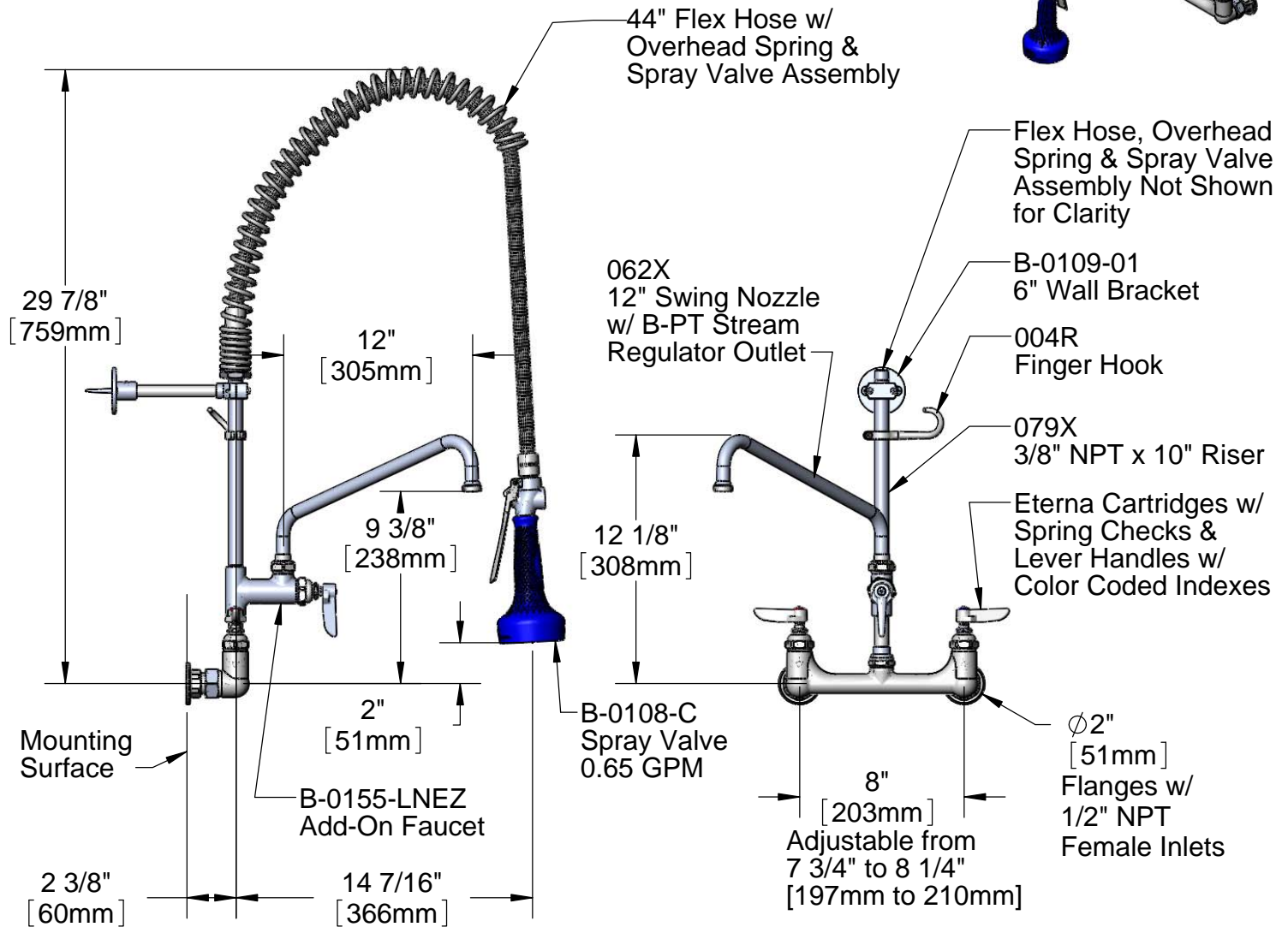
Model Specified _____ Quantity _____

Customer/Wholesaler _____

Contractor _____

Architect/Engineer _____

EPAct 2005 Compliant



Product Specifications:

EasyInstall Pre-Rinse Unit:
8" c/c Wall Mount Base Faucet w/ Eterna Cartridges, Spring Checks, 1/2" NPT Female Inlets, 10" Riser, Overhead Spring, 44" Flex Hose, B-0108-C Spray Valve & 6" Wall Bracket

Drawn KJG	Checked DMH	Approved JHB
Scale: 1:8		Date: 06/02/11



T&S BRASS AND BRONZE WORKS, INC.

2 Saddleback Cove / P.O. Box 1088
Travelers Rest, SC 29690



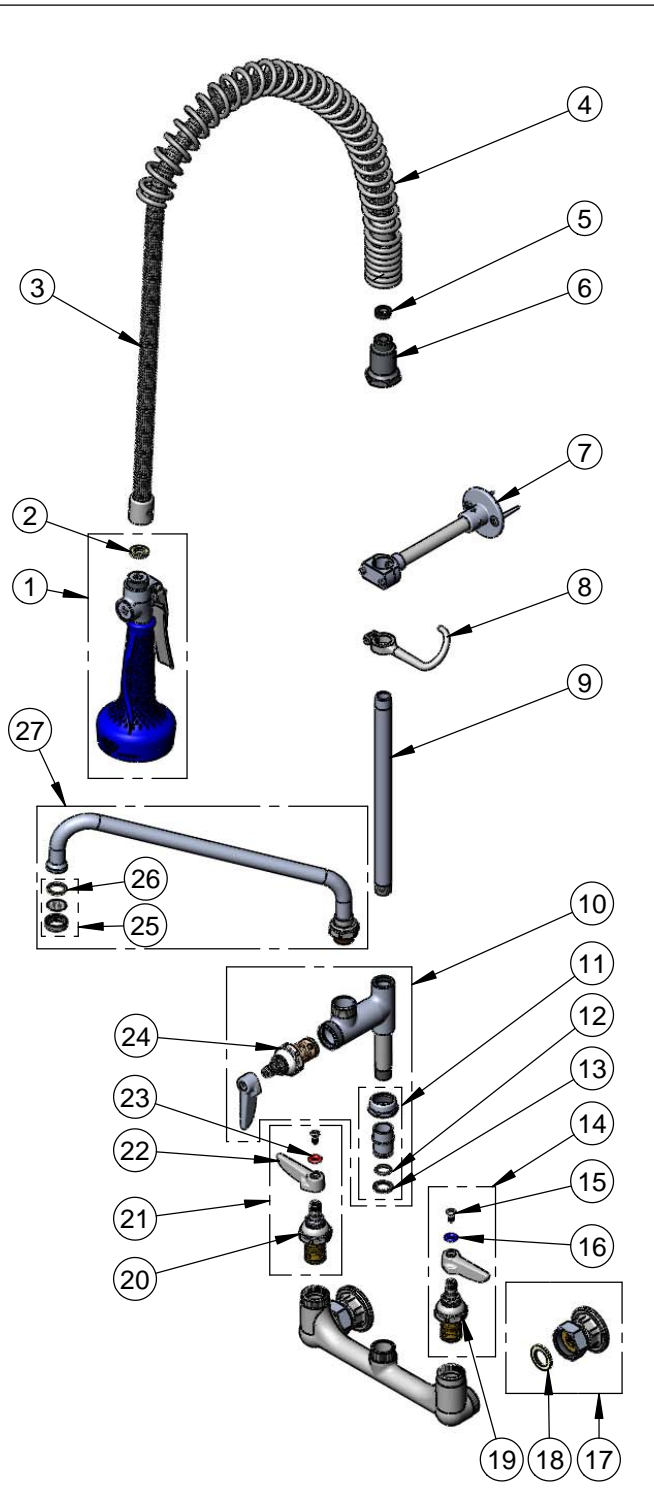
REG. #A2601
ISO #9001

Model No.

B-0133-A12-B8CX

Item No.

Travelers Rest, SC: 800-476-4103 Simi Valley, CA: 800-423-0150 Fax: 864-834-3518 www.tsbrass.com



ITEM NO.	SALES NO.	DESCRIPTION
1	B-0108-C	Spray Valve Assembly w/ Washer
2	001014-45	Washer, B-0100 Hose Barrel
3	B-0044-H2A	44" SS Flex Hose w/o Handle
4	000888-45	EasyInstall Overhead Spring
5	010476-45	#27 Washer
6	000821-40	Spring Body
7	B-0109-01	6" Wall Bracket Assembly
8	004R	Finger Hook Assembly
9	079X	10" Nipple, 3/8" NPT
10	B-0155-LNEZ	Easy-Install Add-On Faucet
11	EZ-K	EasyInstall Kit: Bushing, O-Ring, Lock Washer & Loctite 222
12	001065-45	O-Ring
13	014200-45	Star Washer, Anti-Rotation
14	002711-40	Cold Eterna LTC w/ Spring Check, Handle, Index & Screw
15	000922-45	Lever Handle Screw
16	001660-45	Blue Index-CW
17	00AA	Flange Assembly
18	001019-45	Coupling Nut Washer
19	012442-40	Cold Eterna LTC w/ Spring Check
20	012443-40	Hot Eterna RTC w/ Spring Check
21	002712-40	Hot Eterna RTC w/ Spring Check, Handle, Index & Screw
22	001638-45	Lever Handle
23	001661-45	Red Index-HW
24	007947-40	Quarter Turn Eterna RTC
25	B-PT	Stream Regulator Outlet
26	001048-45	Nozzle Tip Washer
27	062X	12" Swing Nozzle w/ B-PT Stream Regulator Outlet

Product Specifications:
EasyInstall Pre-Rinse Unit:
 8" c/c Wall Mount Base Faucet w/ Eterna Cartridges, Spring Checks,
 1/2" NPT Female Inlets, 10" Riser, Overhead Spring, 44" Flex Hose,
 B-0108-C Spray Valve & 6" Wall Bracket

Drawn KJG	Checked DMH	Approved JHB
Scale: NTS		Date: 06/02/11