



**T&S BRASS AND BRONZE WORKS, INC.**

2 Saddleback Cove / P.O. Box 1088  
Travelers Rest, SC 29690



REG. #A2601  
ISO #9001

Model No.

**B-0133-A12-BC4**

Item No.

Travelers Rest, SC: 800-476-4103 Simi Valley, CA: 800-423-0150 Fax: 864-834-3518 www.tsbrass.com

This Space for Architect/Engineer Approval

Job Name \_\_\_\_\_ Date \_\_\_\_\_

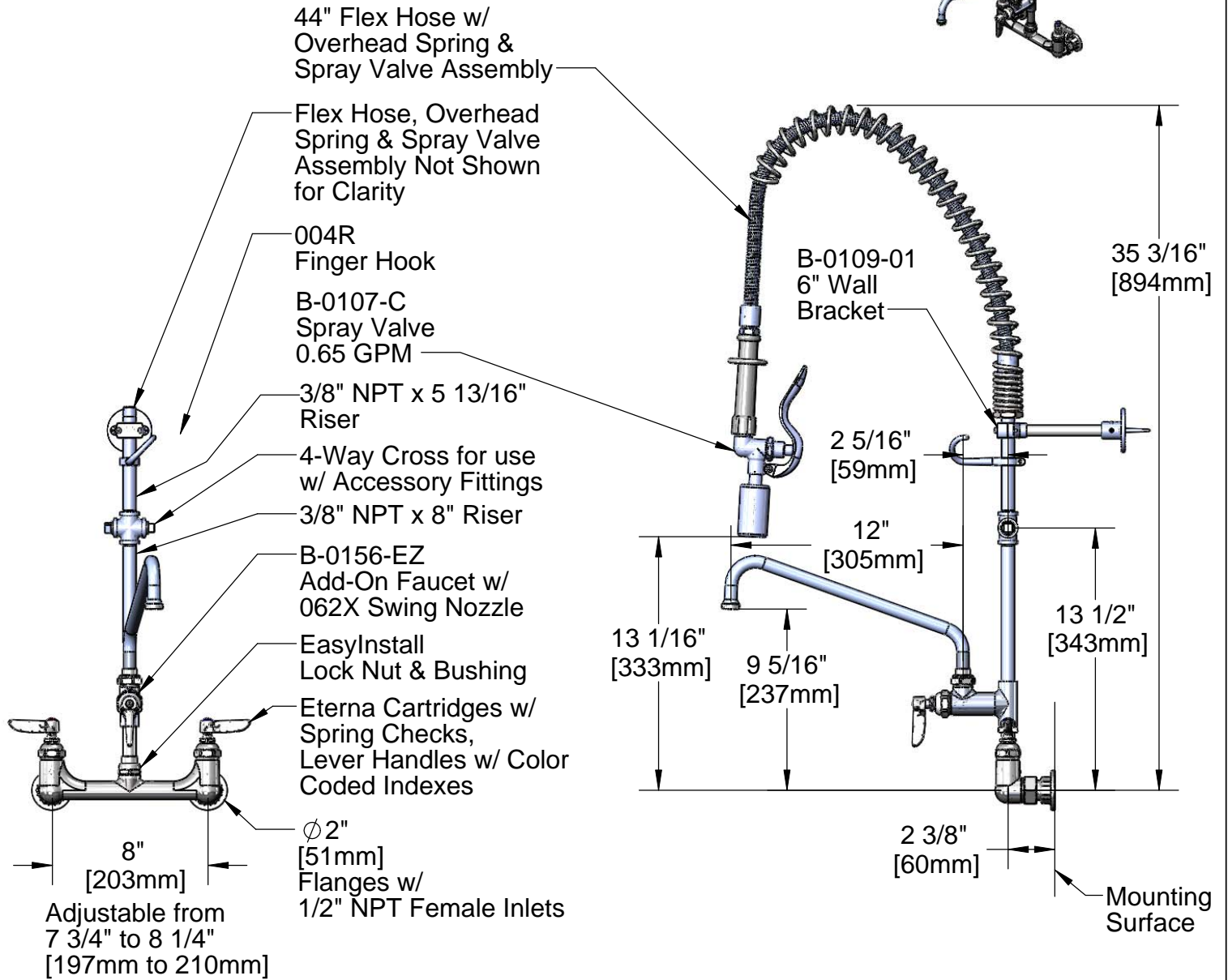
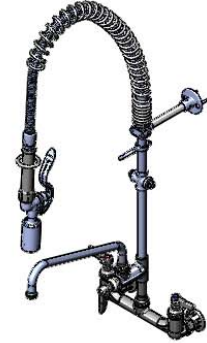
Model Specified \_\_\_\_\_ Quantity \_\_\_\_\_

Customer/Wholesaler \_\_\_\_\_

Contractor \_\_\_\_\_

Architect/Engineer \_\_\_\_\_

**EPAct 2005 Compliant**



Product Specifications:

EasyInstall Pre-Rinse Unit:  
8" c/c Wall Mount Mixing Faucet, 1/2" NPT Female Inlets,  
EasyInstall Add-On Faucet, Overhead Spring, 44" Flex Hose,  
B-0107-C Spray Valve & 6" Bracket

Drawn <b>KJG</b>	Checked <b>DMH</b>	Approved <b>JHB</b>
Scale: <b>1:8</b>		Date: <b>01/15/11</b>



**T&S BRASS AND BRONZE WORKS, INC.**

2 Saddleback Cove / P.O. Box 1088  
Travelers Rest, SC 29690



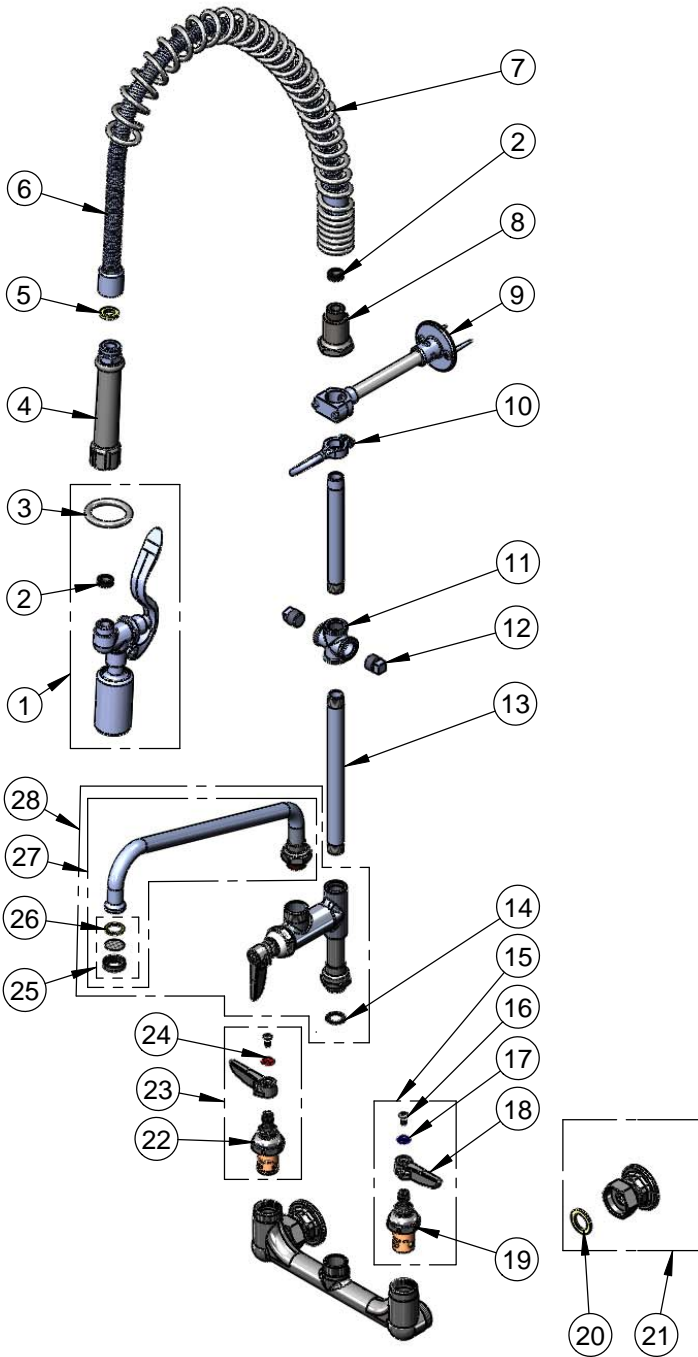
REG. #A2601  
ISO #9001

Model No.

**B-0133-A12-BC4**

Item No.

Travelers Rest, SC: 800-476-4103 Simi Valley, CA: 800-423-0150 Fax: 864-834-3518 www.tsbrass.com



ITEM NO.	SALES NO.	DESCRIPTION
1	B-0107-C	Low Flow Spray Valve Assembly
2	010476-45	#27 Washer
3	000907-45	Spray Valve Hold Down Ring
4	002987-40	Grip Handle Assembly
5	001014-45	Washer, B-0100 Hose Barrel
6	B-0044-H2A	44" Flex Hose Assembly, Less Handle
7	000888-45	EasyInstall Overhead Spring
8	000821-40	Spring Body
9	B-0109-01	6" Wall Bracket Assembly
10	004R	Finger Hook Assembly
11	016804-40	Cross, 3/8" NPT
12	002369-25	Plug, 3/8" NPT
13	078X	3/8" x 8" Riser
14	014200-45	Star Washer, Anti-Rotation
15	002711-40	Cold Eterna Spindle Assembly w/ Spring Check, Handle, Index & Screw
16	000922-45	Lever Handle Screw
17	001660-45	Blue Index-CW
18	001638-45	Lever Handle
19	012442-40	Cold Eterna Spindle Assembly w/ Spring Check
20	001019-45	Coupling Nut Washer
21	00AA	Flange Assembly
22	012443-40	Hot Eterna Spindle Assembly w/ Spring Check
23	002712-40	Hot Eterna Spindle Assembly w/ Spring Check, Handle, Index & Screw
24	001661-45	Red Index-HW
25	B-PT	Stream Regulator Outlet
26	001048-45	Nozzle Tip Washer
27	062X	12" Swing Nozzle
28	B-0156-EZ	EasyInstall Add-On Faucet

Product Specifications:

EasyInstall Pre-Rinse Unit:  
8" c/c Wall Mount Mixing Faucet, 1/2" NPT Female Inlets,  
EasyInstall Add-On Faucet, Overhead Spring, 44" Flex Hose,  
B-0107-C Spray Valve & 6" Bracket

Drawn KJG	Checked DMH	Approved JHB
Scale: NTS		Date: 01/15/11