



**T&S BRASS AND BRONZE WORKS, INC.**

2 Saddleback Cove / P.O. Box 1088  
Travelers Rest, SC 29690



REG. #A2601  
ISO #9001

Model No.

**B-0133-A12B-TEE**

Item No.

Travelers Rest, SC: 800-476-4103 • Simi Valley, CA: 800-423-0150 • Fax: 864-834-3518 • www.tsbrass.com

This Space for Architect/Engineer Approval

Job Name \_\_\_\_\_ Date \_\_\_\_\_

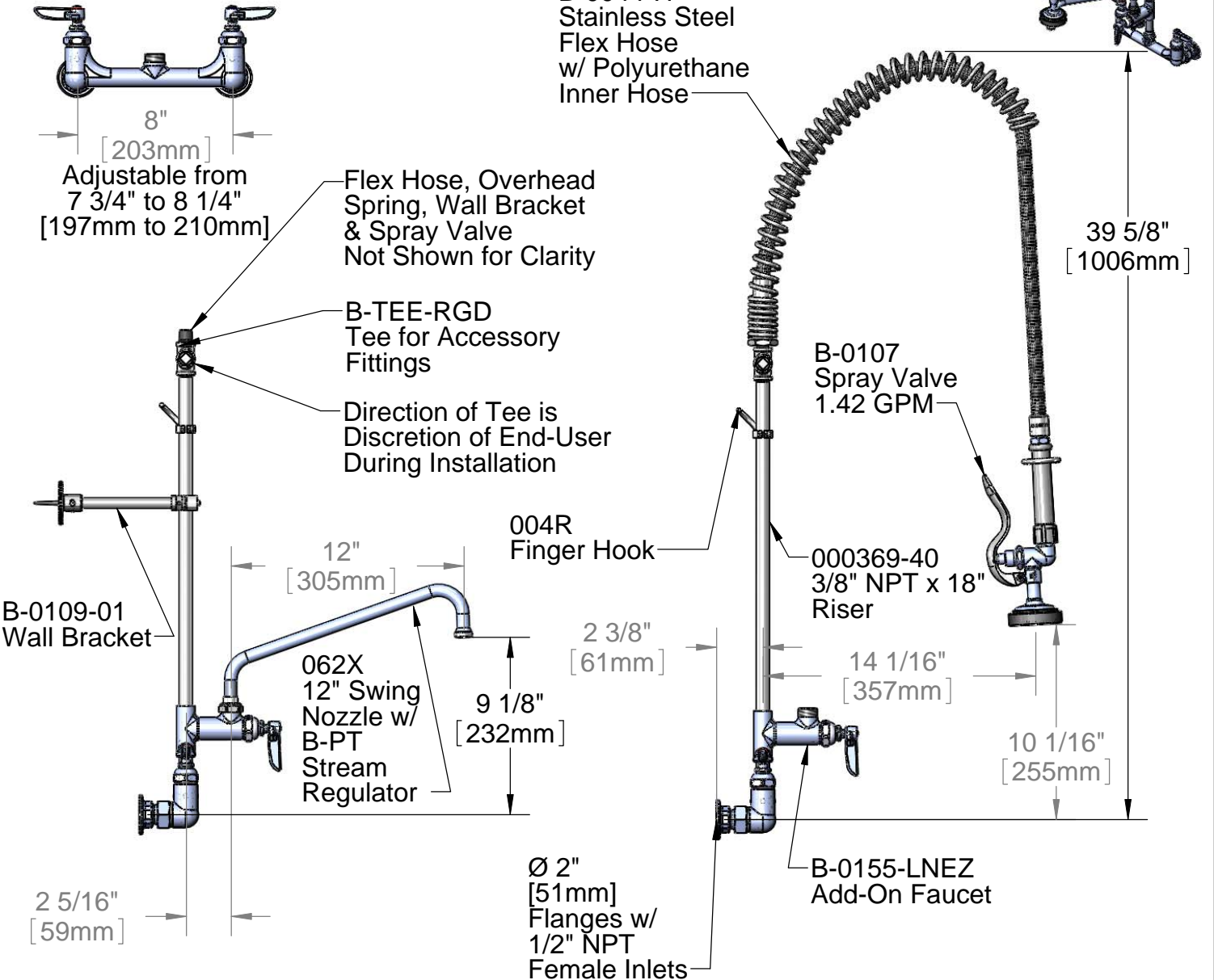
Model Specified \_\_\_\_\_ Quantity \_\_\_\_\_

Customer/Wholesaler \_\_\_\_\_

Contractor \_\_\_\_\_

Architect/Engineer \_\_\_\_\_

**EPAct2005 COMPLIANT**



Product Specifications:  
EasyInstall Pre-Rinse Wall Mount Faucet, Accessory Fitting Tee,  
Eterna Cartridges w/ Spring Checks, Stainless Steel Flex Hose,  
B-0107 Spray Valve & Add-On Faucet w/ 12" Swing Nozzle

|                      |                       |                          |
|----------------------|-----------------------|--------------------------|
| Drawn<br><b>JRM</b>  | Checked<br><b>DMH</b> | Approved<br><b>JHB</b>   |
| Scale:<br><b>1:8</b> |                       | Date:<br><b>05/05/11</b> |



# T&S BRASS AND BRONZE WORKS, INC.

2 Saddleback Cove / P.O. Box 1088  
Travelers Rest, SC 29690



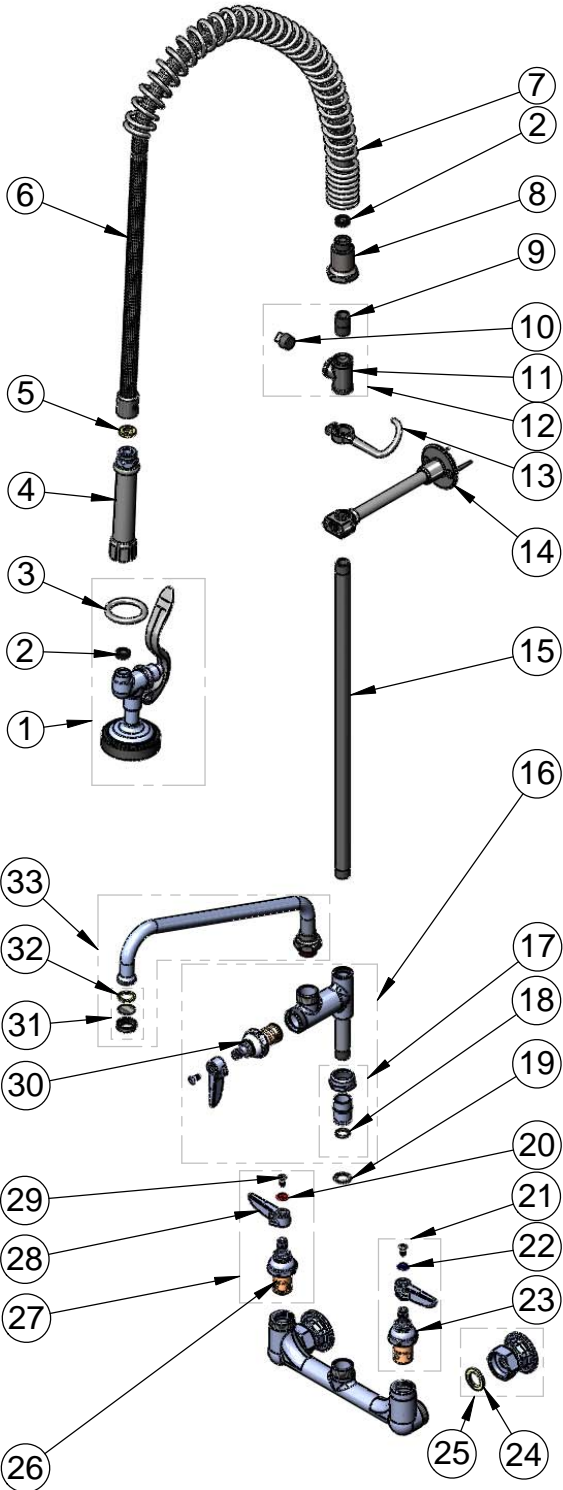
REG. #A2601  
ISO #9001

Model No.

**B-0133-A12B-TEE**

Item No.

Travelers Rest, SC: 800-476-4103 • Simi Valley, CA: 800-423-0150 • Fax: 864-834-3518 • www.tsbrass.com



| ITEM NO. | SALES NO.   | DESCRIPTION                                                  |
|----------|-------------|--------------------------------------------------------------|
| 1        | B-0107      | Spray Valve Assembly                                         |
| 2        | 010476-45   | #27 Washer                                                   |
| 3        | 000907-45   | Spray Valve Hold Down Ring                                   |
| 4        | 002987-40   | Grip Handle Assembly                                         |
| 5        | 001014-45   | Washer, B-0100 Hose Barrel                                   |
| 6        | B-0044-H2A  | Stainless Steel Flex Hose                                    |
| 7        | 000888-45   | EasyInstall Overhead Spring                                  |
| 8        | 000821-40   | Spring Body                                                  |
| 9        | 002535-25   | 3/8" Close Nipple                                            |
| 10       | 002369-25   | 3/8" NPT Plug                                                |
| 11       | 001614-40   | 3/8" NPT Tee                                                 |
| 12       | B-TEE-RGD   | Rigid Tee Assembly                                           |
| 13       | 004R        | Finger Hook Assembly                                         |
| 14       | B-0109-01   | 6" Wall Bracket                                              |
| 15       | 000369-40   | 3/8" NPT x 18" Long Riser                                    |
| 16       | B-0155-LNEZ | EasyInstall Add-On Faucet Less Nozzle                        |
| 17       | EZ-K        | EasyInstall Retro Fit Kit, Nut, Bushing O-Ring & Lock Washer |
| 18       | 001065-45   | EasyInstall O-Ring                                           |
| 19       | 014200-45   | Star Washer, Anti-Rotation                                   |
| 20       | 001661-45   | Red Index-HW                                                 |
| 21       | 002711-40   | Cold Eterna Cartridge w/ Spring Check, Handle, Index & Screw |
| 22       | 001660-45   | Blue Index-CW                                                |
| 23       | 012442-40   | Cold Eterna Cartridge w/ Spring Check                        |
| 24       | 001019-45   | Coupling Nut Washer                                          |
| 25       | 00AA        | Coupling Flange Assembly                                     |
| 26       | 012443-40   | Hot Eterna Cartridge w/ Spring Check                         |
| 27       | 002712-40   | Hot Eterna Cartridge w/ Spring Check, Handle, Index & Screw  |
| 28       | 001638-45   | Lever Handle                                                 |
| 29       | 000922-45   | Lever Handle Screw                                           |
| 30       | 007947-40   | Quarter Turn Spindle Assembly                                |
| 31       | B-PT        | Stream Regulator Outlet                                      |
| 32       | 001048-45   | Nozzle Tip Washer                                            |
| 33       | 062X        | 12" Swing Nozzle Assembly                                    |

**Product Specifications:**

EasyInstall Pre-Rinse Wall Mount Faucet, Accessory Fitting Tee, Eterna Cartridges w/ Spring Checks, Stainless Steel Flex Hose, B-0107 Spray Valve & Add-On Faucet w/ 12" Swing Nozzle

|        |         |          |
|--------|---------|----------|
| Drawn  | Checked | Approved |
| JRM    | DMH     | JHB      |
| Scale: |         | Date:    |
| NTS    |         | 05/05/11 |